

LM2593HV SIMPLE SWITCHER® Power Converter 150-kHz, 2-A Step-Down Voltage Regulator

1 Features

- 3.3-V, 5-V, and Adjustable Output Versions
- Adjustable Version Output Voltage Range: 1.2 V to 57 V $\pm 4\%$ Maximum Over Line and Load Conditions
- Ensured 2-A Output Load Current
- Available in 7-Pin TO-220 and TO-263 (Surface-Mount) Package
- Input Voltage Range up to 60 V
- 150-kHz Fixed Frequency Internal Oscillator
- Shutdown and Soft-Start
- Out-of-Regulation Error Flag
- Error Flag Delay
- Low Power Standby Mode: I_Q , Typically 90 μ A
- High Efficiency
- Thermal Shutdown and Current-Limit Protection

2 Applications

- Simple High-Efficiency Step-Down (Buck) Regulators
- Efficient Preregulator for Linear Regulators
- On-Card Switching Regulators
- Positive-to-Negative Converters

3 Description

The LM2593HV series of regulators are monolithic integrated circuits that provide all the active functions for a step-down (buck) switching regulator, capable of driving a 2-A load with excellent line and load regulation. These devices are available in fixed output voltages of 3.3-V, 5-V, and an adjustable output version.

This series of switching regulators is similar to the LM2592HV with additional supervisory and performance features.

Requiring a minimum number of external components, these regulators are simple to use and include internal frequency compensation, improved line and load specifications, fixed-frequency oscillator, Shutdown/Soft-start, output error flag, and flag delay.

The LM2593HV operates at a switching frequency of 150 kHz, thus allowing smaller sized filter components than what would be needed with lower frequency switching regulators. Available in a standard 7-pin TO-220 package with several different lead bend options, and a 7-pin TO-263 surface-mount package.

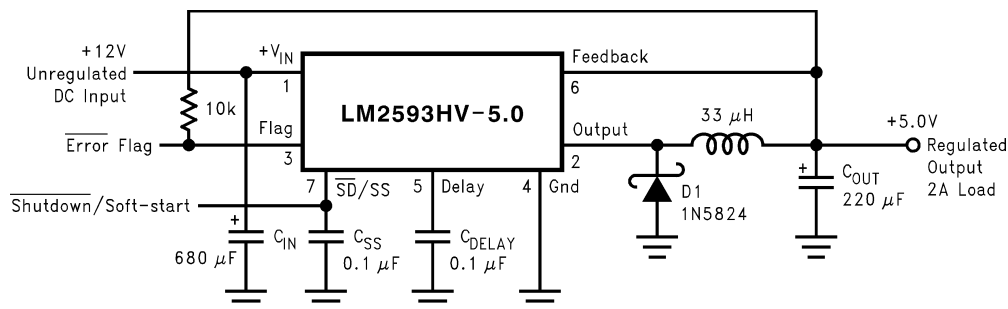
Other features include a specified $\pm 4\%$ tolerance on output voltage under all conditions of input voltage and output load conditions, and $\pm 15\%$ on the oscillator frequency. External shutdown is included, featuring typically 90- μ A standby current. Self-protection features include a two stage current limit for the output switch and an overtemperature shutdown for complete protection under fault conditions.

Device Information⁽¹⁾

PART NUMBER	PACKAGE	BODY SIZE (NOM)
LM2593HV	TO-263 (7)	10.10 mm x 8.89 mm
	TO-220 (7)	14.99 mm x 10.16 mm

(1) For all available packages, see the orderable addendum at the end of the data sheet.

Typical Application (Fixed Output Voltage Versions)



Copyright © 2016, Texas Instruments Incorporated



Table of Contents

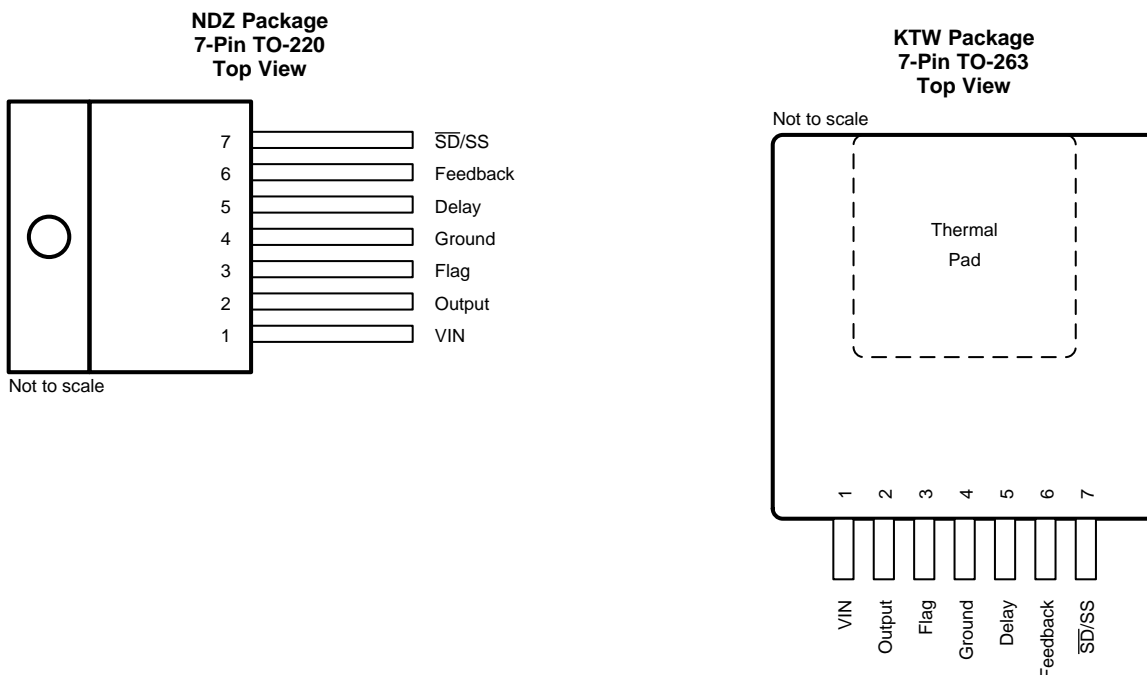
1 Features 1 2 Applications 1 3 Description 1 4 Revision History 2 5 Pin Configuration and Functions 3 6 Specifications 4 6.1 Absolute Maximum Ratings 4 6.2 ESD Ratings 4 6.3 Recommended Operating Conditions 4 6.4 Thermal Information 5 6.5 Electrical Characteristics 5 6.6 Electrical Characteristics – 3.3-V Version 6 6.7 Electrical Characteristics – 5-V Version 6 6.8 Electrical Characteristics – Adjustable Voltage Version 6 6.9 Typical Characteristics 7 7 Parameter Measurement Information 11 7.1 Test Circuits 11 8 Detailed Description 12	8.1 Overview 12 8.2 Functional Block Diagram 12 8.3 Feature Description 12 8.4 Device Functional Modes 15 9 Application and Implementation 16 9.1 Application Information 16 9.2 Typical Application 18 10 Power Supply Recommendations 22 11 Layout 22 11.1 Layout Guidelines 22 11.2 Layout Example 22 11.3 Thermal Considerations 23 12 Device and Documentation Support 24 12.1 Documentation Support 24 12.2 Community Resources 24 12.3 Trademarks 24 12.4 Electrostatic Discharge Caution 24 12.5 Glossary 24 13 Mechanical, Packaging, and Orderable Information 24
--	---

4 Revision History

NOTE: Page numbers for previous revisions may differ from page numbers in the current version.

Changes from Revision D (December 2011) to Revision E	Page
<ul style="list-style-type: none"> • Added <i>ESD Ratings</i> table, <i>Feature Description</i> section, <i>Device Functional Modes</i>, <i>Application and Implementation</i> section, <i>Power Supply Recommendations</i> section, <i>Layout</i> section, <i>Device and Documentation Support</i> section, and <i>Mechanical, Packaging, and Orderable Information</i> section 	1

5 Pin Configuration and Functions



Pin Functions

PIN		TYPE ⁽¹⁾	DESCRIPTION
NO.	NAME		
1	V _{IN}	I	This is the positive input supply for the IC switching regulator. A suitable input bypass capacitor must be present at this pin to minimize voltage transients and to supply the switching currents needed by the regulator.
2	Output	O	Internal switch. The voltage at this pin switches between approximately (+V _{IN} - V _{SAT}) and approximately -0.5 V, with a duty cycle of V _{OUT} /V _{IN} .
3	Flag	O	Error flag: Open-collector output that goes active low (≤ 1 V) when the output of the switching regulator is out of regulation (less than 95% of its nominal value). In this state it can sink maximum 3 mA. When not low, it can be pulled high to signal that the output of the regulator is in regulation (power good). During power-up, it can be programmed to go high after a certain delay as set by the Delay pin (Pin 5). The maximum rating of this pin must not be exceeded, so if the rail to which it will be pulled up to is higher than 45 V, a resistive divider must be used instead of a single pullup resistor, as indicated in Test Circuits .
4	Ground	—	Circuit ground.
5	Delay	O	This sets a programmable power-up delay from the moment that the output reaches regulation, to the high signal output (power good) on Pin 3. A capacitor on this pin starts charging up by means on an internal (3 μ A) current source when the regulated output rises to within 5% of its nominal value. Pin 3 goes high (with an external pullup) when the voltage on the capacitor on Pin 5 exceeds 1.3 V. The voltage on this pin is clamped internally to about 1.7 V. If the regulated output drops out of regulation (less than 95% of its nominal value), the capacitor on Pin 5 is rapidly discharged internally and Pin 3 is forced low in about 1/1000th of the set power-up delay time. ⁽²⁾
6	Feedback	I	Senses the regulated output voltage to complete the feedback loop. This pin is directly connected to the Output for the fixed voltage versions, but is set to 1.23 V by means of a resistive divider from the output for the adjustable version. If a feedforward capacitor is used (adjustable version), then a negative voltage spike is generated on this pin whenever the output is shorted. This happens because the feedforward capacitor cannot discharge fast enough, and because one end of it is dragged to Ground, the other end goes momentarily negative. To prevent the energy rating of this pin from being exceeded, a small-signal Schottky diode to Ground is recommended for DC input voltages above 40 V whenever a feedforward capacitor is present (see Test Circuits). Feedforward capacitor values larger than 0.1 μ F are not recommended for the same reason, whatever be the DC input voltage. ⁽²⁾

(1) G = Ground, I = Input, O = Output

(2) If any of these pins are not used, the respective pin can be left open.

Pin Functions (continued)

PIN		TYPE ⁽¹⁾	DESCRIPTION
NO.	NAME		
7	$\overline{SD/SS}$	I	Shutdown/Soft-start: The regulator is in shutdown mode, drawing about 90 μ A, when this pin is driven to a low level (≤ 0.6 V), and is in normal operation when this Pin is left floating (internal pull-up) or driven to a high level (≥ 2 V). The typical value of the threshold is 1.3 V and the pin is internally clamped to a maximum of about 7 V. If it is driven higher than the clamp voltage, it must be ensured by means of an external resistor that the current into the pin does not exceed 1 mA. The duty cycle is minimum (0%) if this Pin is below 1.8 V, and increases as the voltage on the pin is increased. The maximum duty cycle (100%) occurs when this pin is at 2.8 V or higher. So adding a capacitor to this pin produces a soft-start feature. An internal current source charges the capacitor from zero to its internally clamped value. The charging current is about 5 μ A when the pin is below 1.3 V but is reduced to only 1.6 μ A above 1.3 V, so as to allow the use of smaller soft-start capacitors. ⁽²⁾

6 Specifications

6.1 Absolute Maximum Ratings

 over operating free-air temperature range (unless otherwise noted) ⁽¹⁾

		MIN	MAX	UNIT
Maximum supply voltage, V_{IN}			63	V
$\overline{SD/SS}$ pin input voltage ⁽²⁾			6	V
Delay pin voltage ⁽²⁾			1.5	V
Flag pin voltage		-0.3	45	V
Feedback pin voltage		-0.3	25	V
Output voltage to ground, steady-state			-1	V
Power dissipation		Internally limited		
Lead temperature	S package	Vapor phase (60 s)		°C
		Infrared (10 s)		
	T package, soldering (10 s)			
Maximum junction temperature			150	°C
Storage temperature, T_{stg}		-65	150	°C

- (1) Stresses beyond those listed under *Absolute Maximum Ratings* may cause permanent damage to the device. These are stress ratings only, which do not imply functional operation of the device at these or any other conditions beyond those indicated under *Recommended Operating Conditions*. Exposure to absolute-maximum-rated conditions for extended periods may affect device reliability.
- (2) Voltage internally clamped. If clamp voltage is exceeded, limit current to a maximum of 1 mA.

6.2 ESD Ratings

		VALUE	UNIT
$V_{(ESD)}$	Electrostatic discharge	Human-body model (HBM), per ANSI/ESDA/JEDEC JS-001 ⁽¹⁾⁽²⁾	± 2000 V

- (1) JEDEC document JEP155 states that 500-V HBM allows safe manufacturing with a standard ESD control process.
- (2) The human body model is a 100-pF capacitor discharged through a 1.5-k resistor into each pin.

6.3 Recommended Operating Conditions

over operating free-air temperature range (unless otherwise noted)

		MIN	MAX	UNIT
	Supply voltage	4.5	60	V
T_J	Temperature	-40	125	°C

6.4 Thermal Information

THERMAL METRIC ⁽¹⁾	LM2593HV		UNIT
	NDZ (TO-220)	KTW (TO-263)	
	7 PINS	7 PINS	
R _{θJA} Junction-to-ambient thermal resistance	50 ⁽²⁾	50 ⁽³⁾ 30 ⁽⁴⁾ 20 ⁽⁵⁾	°C/W
R _{θJC(top)} Junction-to-case (top) thermal resistance	2	2	°C/W
R _{θJB} Junction-to-board thermal resistance	—	—	°C/W
Ψ _{JT} Junction-to-top characterization parameter	—	—	°C/W
Ψ _{JB} Junction-to-board characterization parameter	—	—	°C/W
R _{θJC(bot)} Junction-to-case (bottom) thermal resistance	—	—	°C/W

- (1) For more information about traditional and new thermal metrics, see the *Semiconductor and IC Package Thermal Metrics* application report, [SPRA953](#).
- (2) Junction to ambient thermal resistance (no external heat sink) for the package mounted TO-220 package mounted vertically, with the leads soldered to a printed-circuit board with (1 oz) copper area of approximately 1 in².
- (3) Junction to ambient thermal resistance with the TO-263 package tab soldered to a single-sided printed-circuit board with 0.5 in² of (1 oz) copper area.
- (4) Junction to ambient thermal resistance with the TO-263 package tab soldered to a single-sided printed-circuit board with 2.5 in² of (1 oz) copper area.
- (5) Junction to ambient thermal resistance with the TO-263 package tab soldered to a double-sided printed-circuit board with 3 in² of (1 oz) copper area on the LM2593HVS side of the board, and approximately 16 in² of copper on the other side of the printed-circuit board.

6.5 Electrical Characteristics

T_J = 25°C, V_{IN} = 12 V for the 3.3-V, 5-V, and adjustable versions, and I_{LOAD} = 500 mA (unless otherwise noted)

PARAMETER		TEST CONDITIONS	MIN ⁽¹⁾	TYP ⁽²⁾	MAX ⁽¹⁾	UNIT	
I _b	Feedback bias current	Adjustable version only, V _{Fb} = 1.3 V	50	10	100	nA	
f _o	Oscillator frequency ⁽³⁾	T _J = 25°C	127	150	173	kHz	
		T _J = -40°C to 125°C	110		173		
V _{SAT}	Saturation voltage	I _{OUT} = 2 A; no diode, inductor or capacitor connected to output pin ⁽⁴⁾ ; Feedback pin removed from output and connected to 0 V to force the output transistor switch ON ⁽⁵⁾		T _J = 25°C 1.1 T _J = -40°C to 125°C 1.4	1.3 1.4	V	
DC	Max duty cycle (ON)	Feedback pin removed from output and connected to 0 V to force the output transistor switch ON		100%			
	Min duty cycle (OFF)	Feedback pin removed from output and connected to 12 V for the 3.3-V, 5-V, and the adjustable versions to force the output transistor switch OFF		0%			
I _{CLIM}	Switch current limit	Peak current; no diode, inductor or capacitor connected to output pin; Feedback pin removed from output and connected to 0 V to force the output transistor switch ON	T _J = 25°C	2.4	3	3.7	A
			T _J = -40°C to 125°C	2.3		4	
I _L	Output leakage current	Feedback pin removed from output and connected to 12 V for the 3.3-V, 5-V, and the adjustable version to force the output transistor switch OFF; V _{IN} = 60 V, output = 0 V, output = -1 V	50	5	30	mA	
I _Q	Operating quiescent current	SD and SS pin open, Feedback pin removed from output and connected to 12 V for the 3.3-V, 5-V, and the adjustable version to force the output transistor switch OFF		5	10	mA	

- (1) All limits specified at room temperature unless otherwise noted. All room temperature limits are 100% production tested. All limits at temperature extremes are ensured via correlation using standard Statistical Quality Control (SQC) methods. All limits are used to calculate Average Outgoing Quality Level (AOQL).
- (2) Typical numbers are at 25°C and represent the most likely norm.
- (3) The switching frequency is reduced when the second stage current limit is activated. The amount of reduction is determined by the severity of current overload.
- (4) No diode, inductor or capacitor connected to output pin.
- (5) Feedback pin removed from output and connected to 0 V to force the output transistor switch ON.

Electrical Characteristics (continued)

 $T_J = 25^\circ\text{C}$, $V_{IN} = 12\text{ V}$ for the 3.3-V, 5-V, and adjustable versions, and $I_{LOAD} = 500\text{ mA}$ (unless otherwise noted)

PARAMETER		TEST CONDITIONS		MIN ⁽¹⁾	TYP ⁽²⁾	MAX ⁽¹⁾	UNIT
I_{STBY}	Standby quiescent current	SD and SS pin = 0 V, $V_{IN} = 60\text{ V}$	$T_J = 25^\circ\text{C}$		90	200	μA
			$T_J = -40^\circ\text{C}$ to 125°C			250	
SHUTDOWN AND SOFT-START CONTROL							
V_{SD}	Shutdown threshold voltage	Low (shutdown mode)			1.3	0.6	V
		High (soft-start mode)				2	
V_{SS}	Soft-start voltage	$V_{OUT} = 20\%$ of nominal output voltage			2		V
		$V_{OUT} = 100\%$ of nominal output voltage			3		
I_{SD}	Shutdown current	$V_{SHUTDOWN} = 0.5\text{ V}$			5	10	μA
I_{SS}	Soft-start current	$V_{Soft-start} = 2.5\text{ V}$			1.5	5	μA
	Regulator dropout detector	Low (flag ON)			96%		
	Threshold voltage	Low (flag ON)		92%		98%	
V_{FSAT}	Flag output saturation voltage	$I_{SINK} = 3\text{ mA}$, $V_{DELAY} = 0.5\text{ V}$			0.3		μA
I_{FL}	Flag output leakage current	$V_{FLAG} = 60\text{ V}$		0.7	0.3	1	V
	Delay pin threshold voltage	Low (flag ON), high (flag OFF) and V_{OUT} regulated		1.21	1.25	1.29	V
	Delay pin source current	$V_{DELAY} = 0.5\text{ V}$			3	6	μA
	Delay pin saturation	Low (flag ON)		350	70	400	mV

6.6 Electrical Characteristics – 3.3-V Version

 $T_J = 25^\circ\text{C}$ (unless otherwise noted)

PARAMETER		TEST CONDITIONS		MIN	TYP	MAX	UNIT
SYSTEM PARAMETERS							
V_{OUT}	Output voltage	$4.75\text{ V} \leq V_{IN} \leq 60\text{ V}$, $0.2\text{ A} \leq I_{LOAD} \leq 2\text{ A}$	$T_J = 25^\circ\text{C}$	3.168	3.3	3.432	V
			$T_J = -40^\circ\text{C}$ to 125°C	3.135		3.465	
η	Efficiency	$V_{IN} = 12\text{ V}$, $I_{LOAD} = 2\text{ A}$			76%		

6.7 Electrical Characteristics – 5-V Version

 $T_J = 25^\circ\text{C}$ (unless otherwise noted)

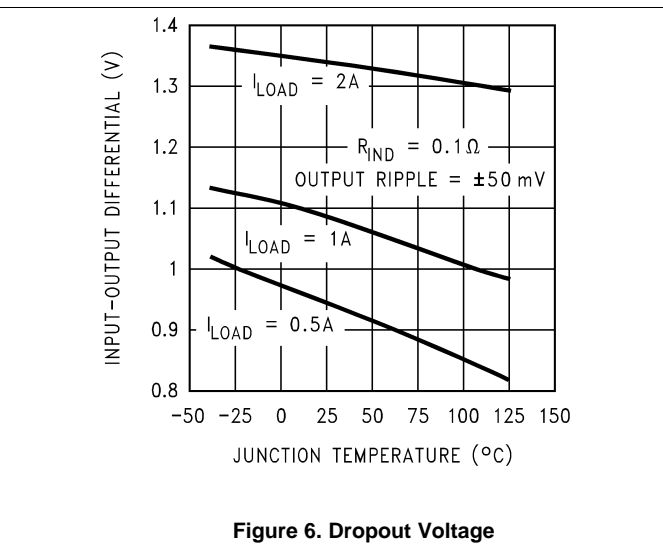
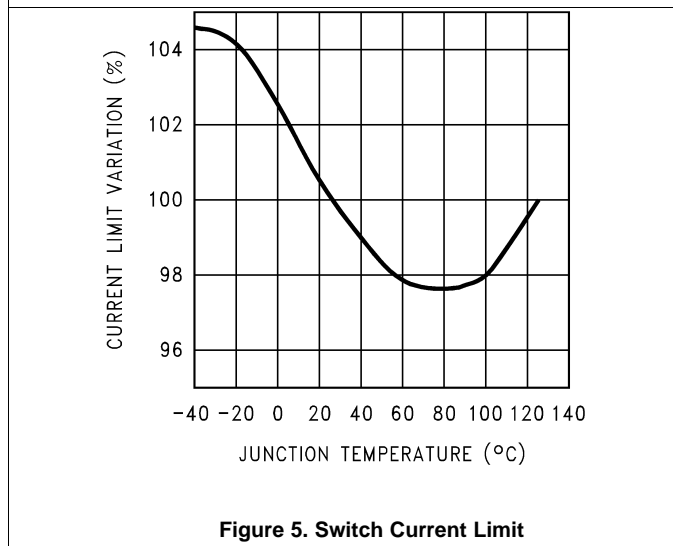
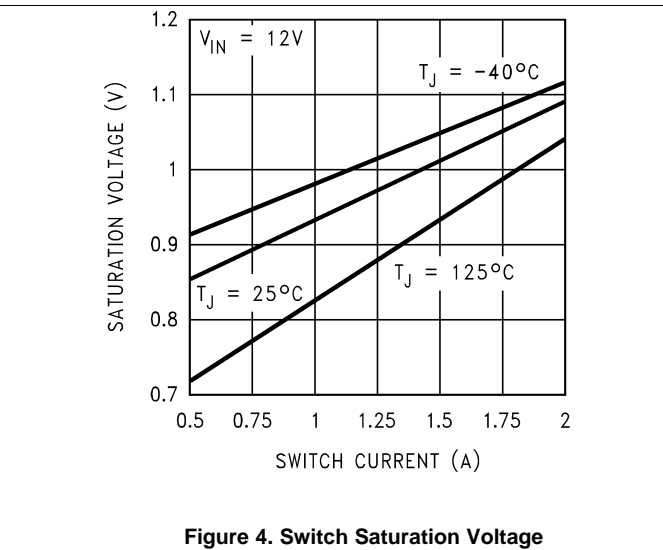
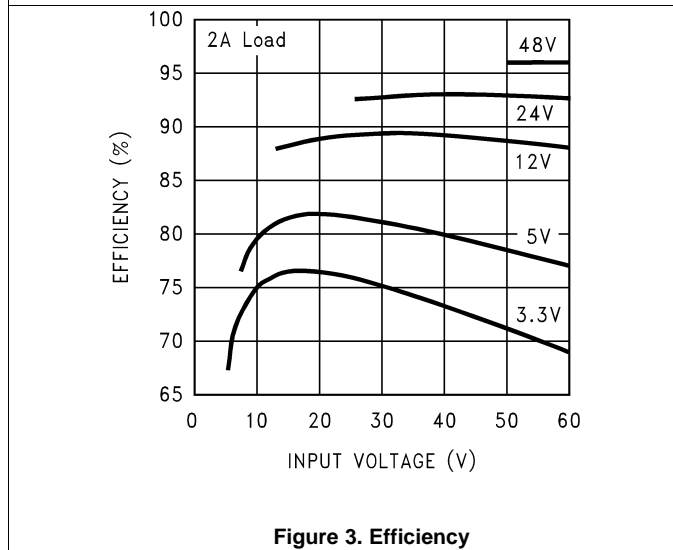
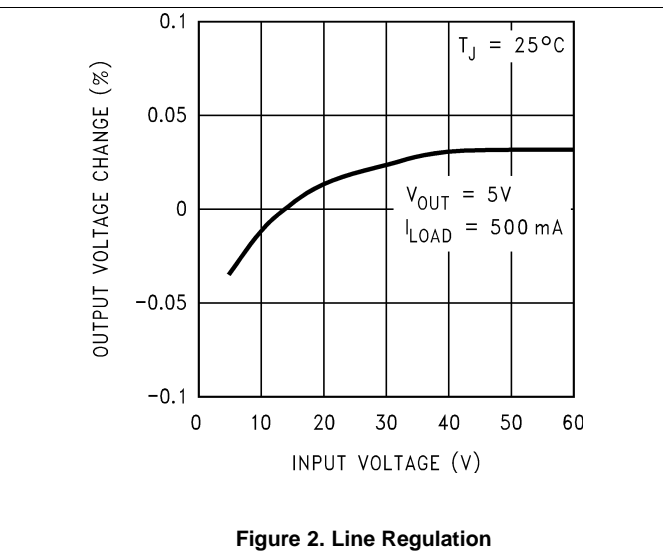
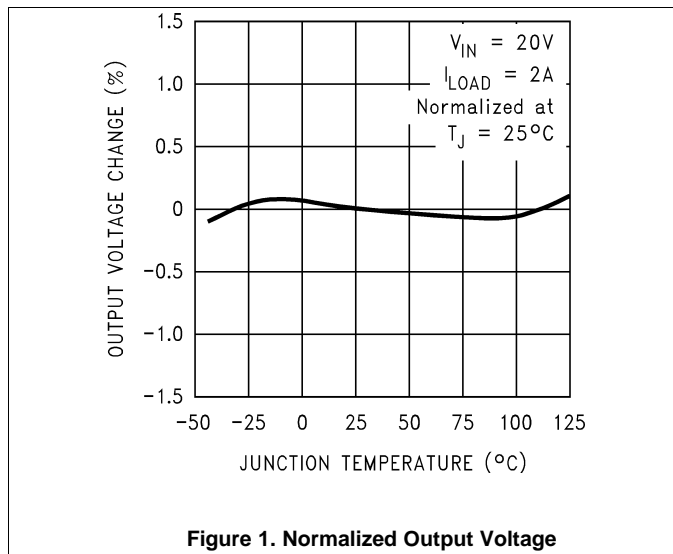
PARAMETER		TEST CONDITIONS		MIN	TYP	MAX	UNIT
V	Output voltage	$7\text{ V} \leq V_{IN} \leq 60\text{ V}$, $0.2\text{ A} \leq I_{LOAD} \leq 2\text{ A}$	$T_J = 25^\circ\text{C}$	4.8	5	5.2	V
			$T_J = -40^\circ\text{C}$ to 125°C	4.75		5.25	
η	Efficiency	$V_{IN} = 12\text{ V}$, $I_{LOAD} = 2\text{ A}$			81%		

6.8 Electrical Characteristics – Adjustable Voltage Version

 $T_J = 25^\circ\text{C}$ (unless otherwise noted)

PARAMETER		TEST CONDITIONS		MIN	TYP	MAX	UNIT
VFB	Feedback voltage	$4.5\text{ V} \leq V_{IN} \leq 60\text{ V}$, $0.2\text{ A} \leq I_{LOAD} \leq 2\text{ A}$, V_{OUT} programmed for 3 V (see Test Circuits)	$T_J = 25^\circ\text{C}$	1.193	1.23	1.267	V
			$T_J = -40^\circ\text{C}$ to 125°C	1.18		1.28	
η	Efficiency	$V_{IN} = 12\text{ V}$, $V_{OUT} = 3\text{ V}$, $I_{LOAD} = 2\text{ A}$			75%		

6.9 Typical Characteristics



Typical Characteristics (continued)

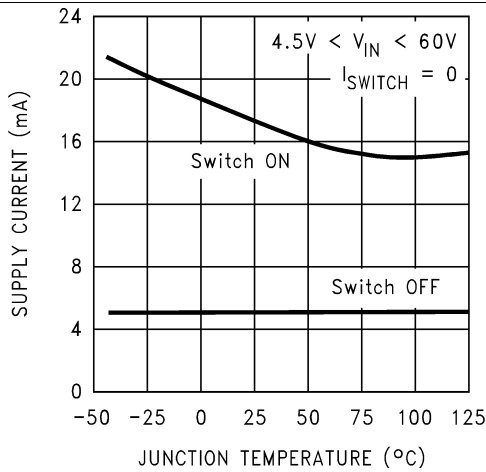


Figure 7. Operating Quiescent Current

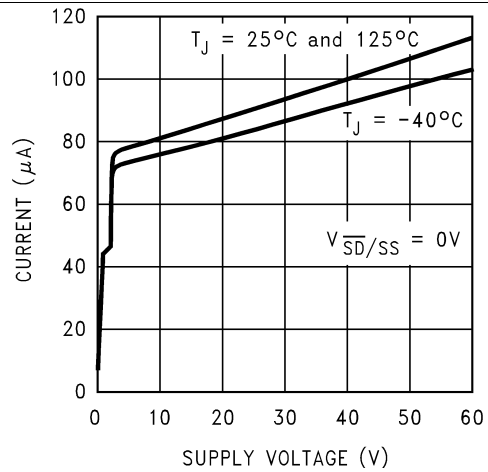


Figure 8. Shutdown Quiescent Current

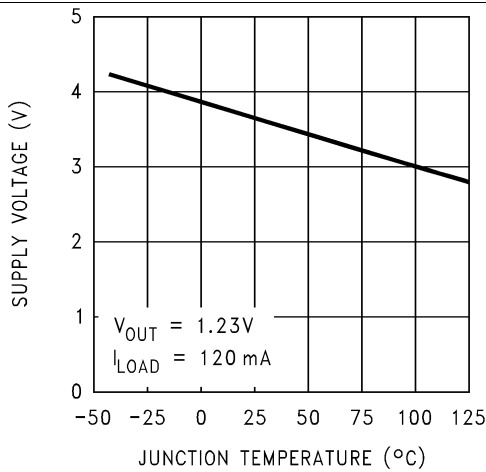


Figure 9. Minimum Operating Supply Voltage

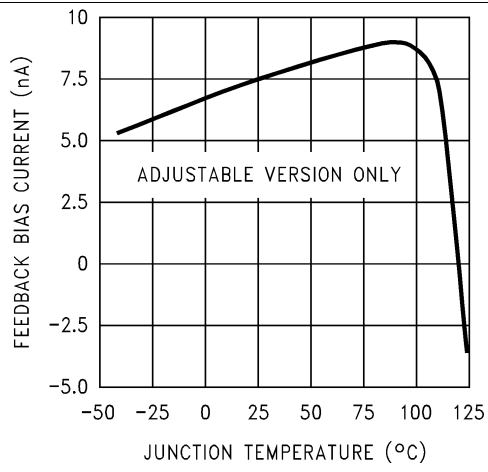


Figure 10. Feedback Pin Bias Current

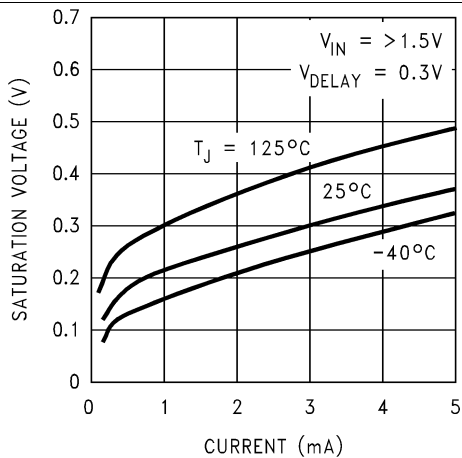


Figure 11. Flag Saturation Voltage

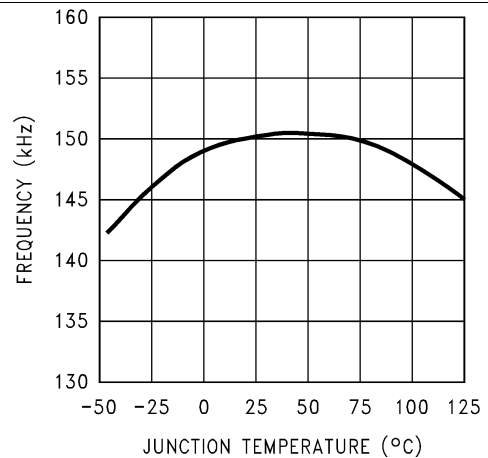


Figure 12. Switching Frequency

Typical Characteristics (continued)

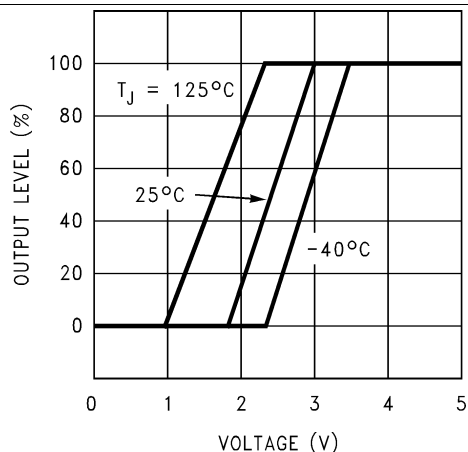


Figure 13. Soft-Start

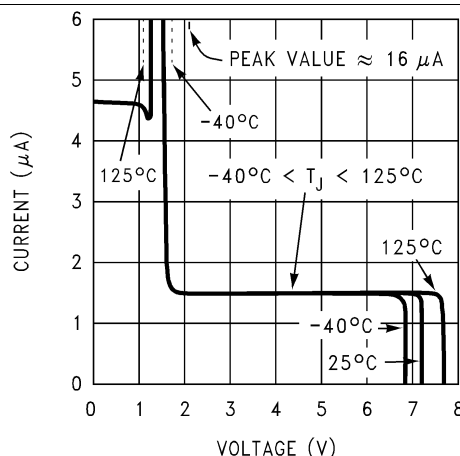


Figure 14. Shutdown/Soft-Start Current

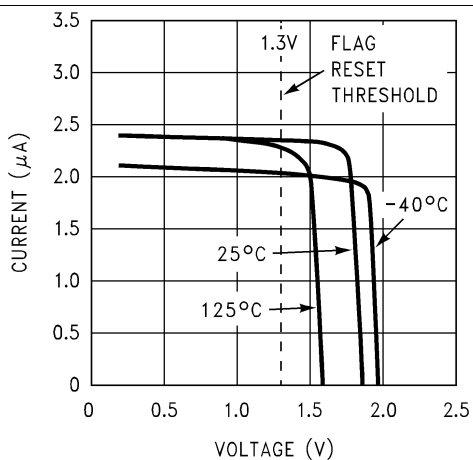


Figure 15. Delay Pin Current

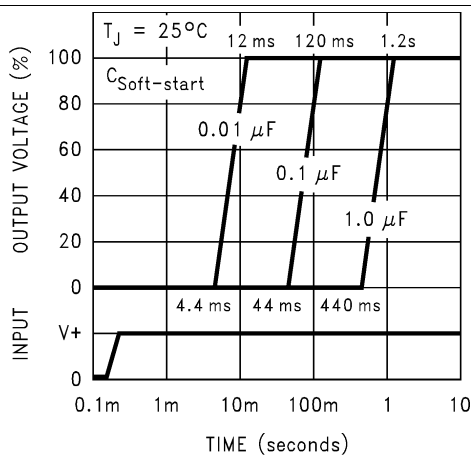


Figure 16. Soft-Start Response

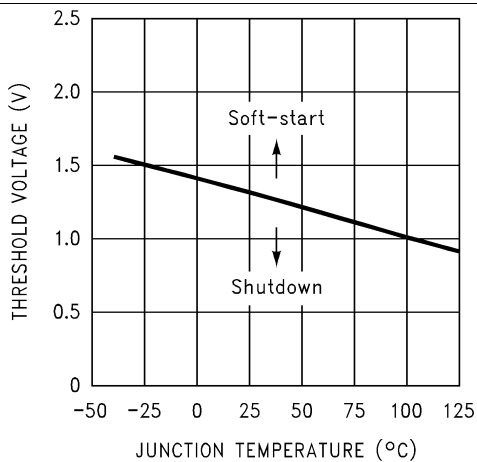


Figure 17. Shutdown/Soft-Start Threshold Voltage

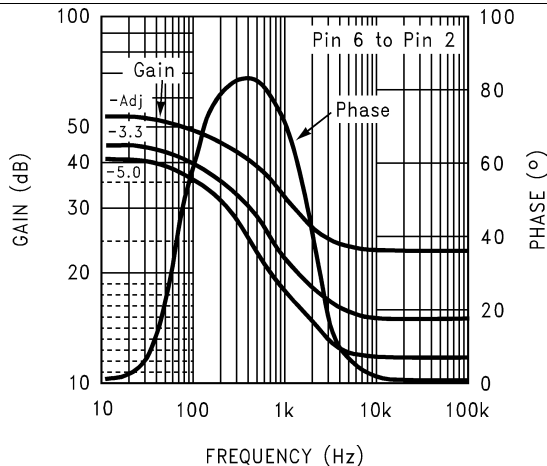
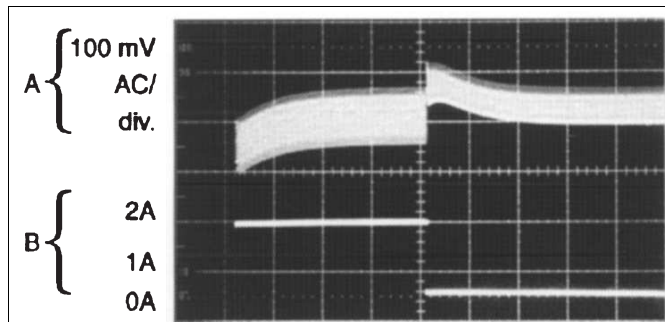
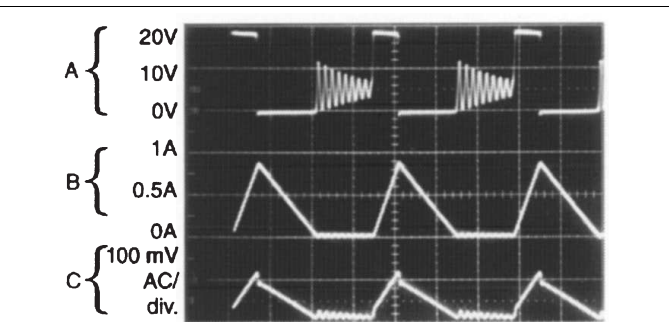


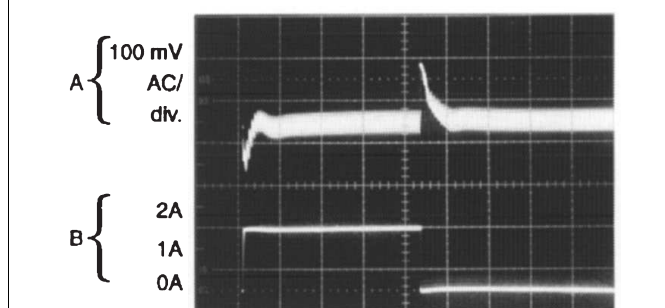
Figure 18. Internal Gain-Phase Characteristics

Typical Characteristics (continued)


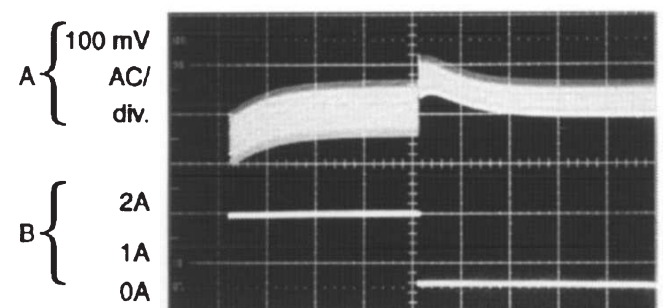
Horizontal Time Base: 2 μ s/div.
 $V_{IN} = 20$ V, $V_{OUT} = 5$ V, $I_{LOAD} = 2$ A,
 $L = 32$ μ H, $C_{OUT} = 220$ μ F, C_{OUT} ESR = 50 m Ω
 Output Pin Voltage, 10 V/div.
 Inductor Current, 1 A/div.
 Output Ripple Voltage, 50 mV/div.

Figure 19. Continuous Mode Switching Waveforms


Horizontal Time Base: 2 μ s/div.
 $V_{IN} = 20$ V, $V_{OUT} = 5$ V, $I_{LOAD} = 500$ mA,
 $L = 10$ μ H, $C_{OUT} = 330$ μ F, C_{OUT} ESR = 50 m Ω
 Output Pin Voltage, 10 V/div.
 Inductor Current, 0.5 A/div.
 Output Ripple Voltage, 100 mV/div.

Figure 20. Discontinuous Mode Switching Waveforms


Horizontal Time Base: 50 μ s/div.
 $V_{IN} = 20$ V, $V_{OUT} = 5$ V, $I_{LOAD} = 500$ mA to 2 A,
 $L = 32$ μ H, $C_{OUT} = 220$ μ F, C_{OUT} ESR = 50 m Ω
 Output Voltage, 100 mV/div. (AC)
 500-mA to 2-A Load Pulse

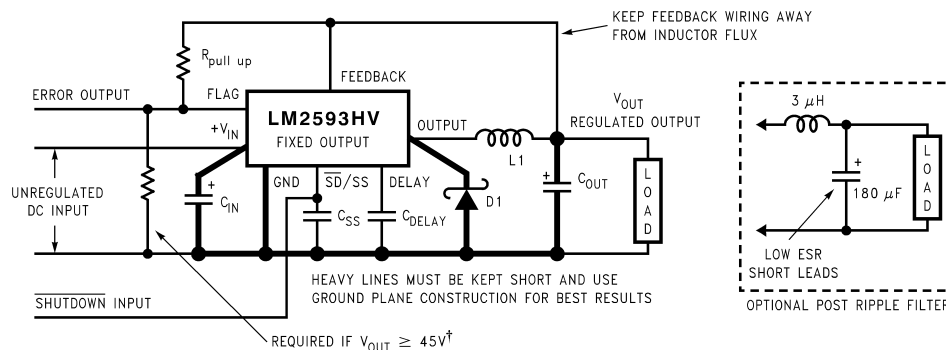
**Figure 21. Load Transient Response
for Continuous Mode**


Horizontal Time Base: 200 μ s/div.
 $V_{IN} = 20$ V, $V_{OUT} = 5$ V, $I_{LOAD} = 500$ mA to 2 A,
 $L = 10$ μ H, $C_{OUT} = 330$ μ F, C_{OUT} ESR = 50 m Ω
 Output Voltage, 100 mV/div. (AC)
 500-mA to 2-A Load Pulse

**Figure 22. Load Transient Response
for Discontinuous Mode**

7 Parameter Measurement Information

7.1 Test Circuits



Component Values shown are for $V_{IN} = 15\text{ V}$,

$V_{OUT} = 5\text{ V}$, $I_{LOAD} = 2\text{ A}$.

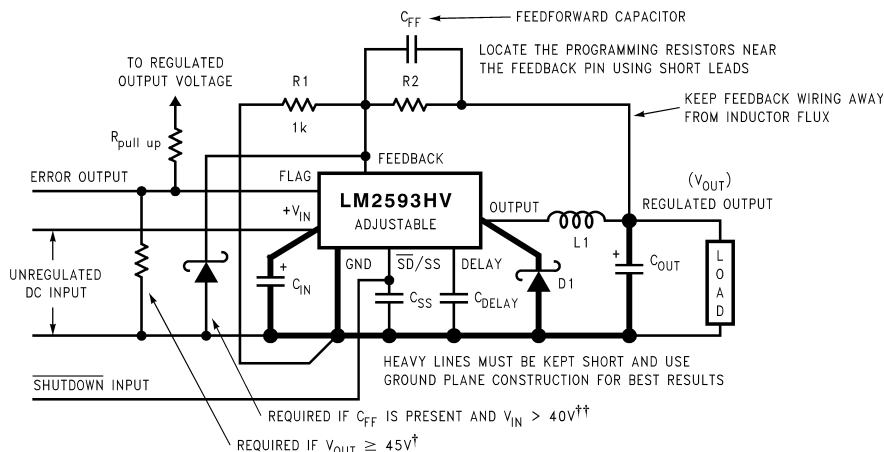
C_{IN} — 470- μF , 50-V aluminum electrolytic Nichicon *PM Series*

C_{OUT} — 220- μF , 25-V aluminum electrolytic Nichicon *PM Series*

D1 — 3.3-A, 60-V Schottky Rectifier, 21DQ06 (international rectifier)

L1 — 33 μH , see [Inductors Selection Procedure](#)

Figure 23. Fixed Output Voltage Versions



Select R_1 to be approximately 1 k Ω , use a 1% resistor for best stability.

Component values shown are for $V_{IN} = 20\text{ V}$,

$V_{OUT} = 10\text{ V}$, $I_{LOAD} = 2\text{ A}$.

C_{IN} — 470- μF , 35-V aluminum electrolytic Nichicon *PM Series*

C_{OUT} — 220- μF , 35-V aluminum electrolytic Nichicon *PM Series*

D1 — 3.3-A, 60-V Schottky Rectifier, 21DQ06 (international rectifier)

L1 — 47 μH , see [Inductors Selection Procedure](#)

R_1 — 1 k Ω , 1%

R_2 — 7.15 k, 1%

C_{FF} — 3.3 nF

Typical Values

C_{SS} — 0.1 μF

C_{DELAY} — 0.1 μF

$R_{PULL\ UP}$ — 4.7 k (use 22 k if V_{OUT} is $\geq 45\text{ V}$)

† Resistive divider is required to avoid exceeding maximum rating of 45 V, 3 mA on or into flag pin.

†† Small signal Schottky diode to prevent damage to feedback pin by negative spike when output is shorted (C_{FF} not being able to discharge immediately will drag feedback pin below ground). Required if $V_{IN} > 40\text{ V}$.

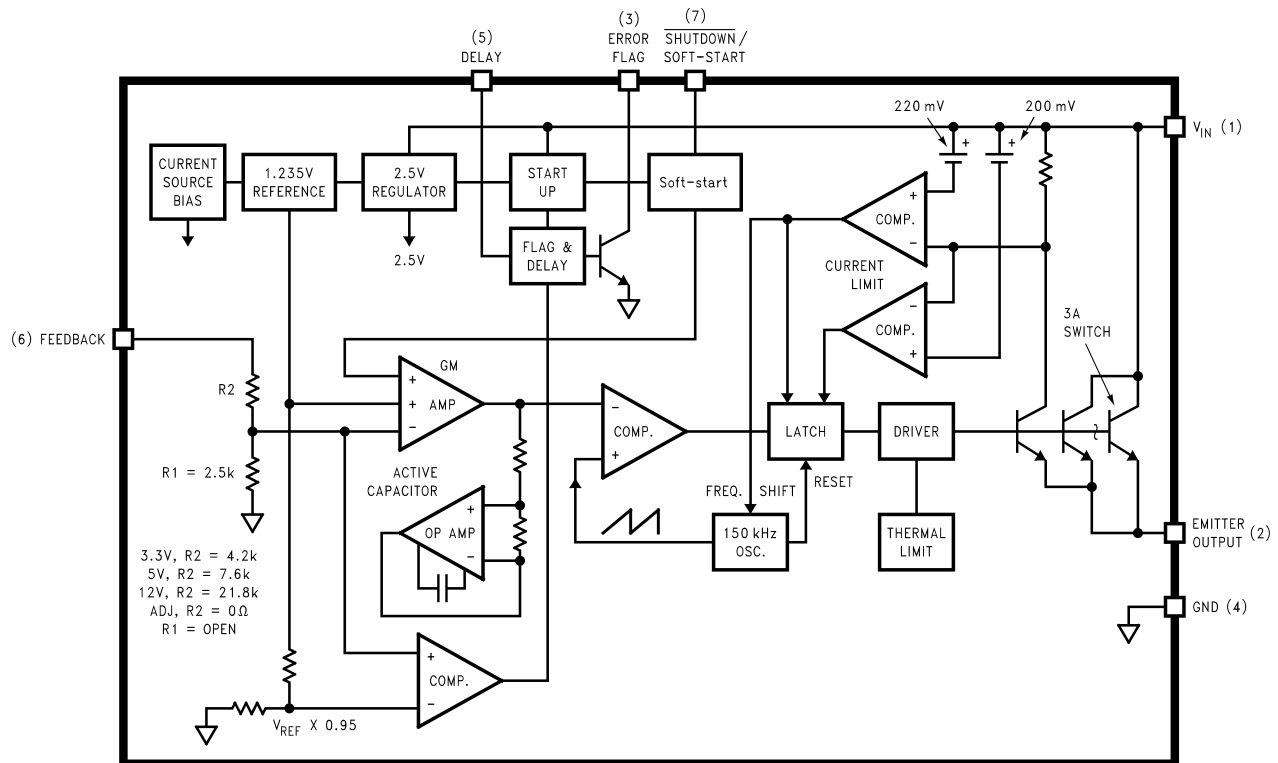
Figure 24. Adjustable Output Voltage Versions

8 Detailed Description

8.1 Overview

The LM2593HV SIMPLE SWITCHER[®] regulator is an easy-to-use, non-synchronous, step-down DC-DC converter with a wide input voltage range up to 60 V. It is capable of delivering up to 2-A DC load current with excellent line and load regulation. These devices are available in fixed output voltages of 3.3-V, 5-V, and an adjustable output version. The family requires few external components and the pin arrangement was designed for simple, optimum PCB layout.

8.2 Functional Block Diagram

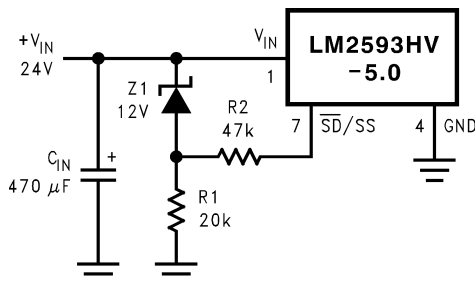


8.3 Feature Description

8.3.1 Undervoltage Lockout

Some applications require the regulator to remain off until the input voltage reaches a predetermined voltage. Figure 25 contains an undervoltage lockout circuit for a buck configuration, while Figure 26 and Figure 27 are for the inverting types (only the circuitry pertaining to the undervoltage lockout is shown). Figure 25 uses a Zener diode to establish the threshold voltage when the switcher begins operating. When the input voltage is less than the Zener voltage, resistors R1 and R2 hold the Shutdown/Soft-Start pin low, keeping the regulator in the shutdown mode. As the input voltage exceeds the Zener voltage, the Zener conducts, pulling the Shutdown/Soft-Start pin high, allowing the regulator to begin switching. The threshold voltage for the undervoltage lockout feature is approximately 1.5 V greater than the Zener voltage.

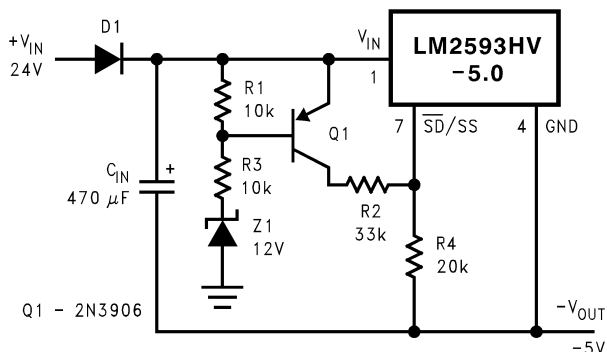
Feature Description (continued)



Copyright © 2016, Texas Instruments Incorporated

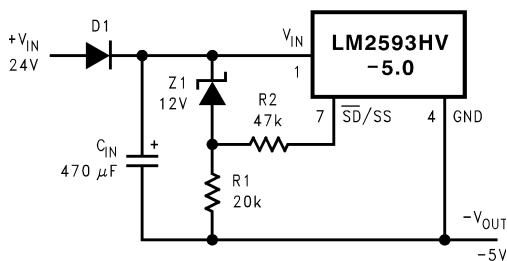
Figure 25. Undervoltage Lockout for a Buck Regulator

Figure 26 and Figure 27 apply the same feature to an inverting circuit. Figure 26 features a constant threshold voltage for turnon and turnoff (Zener voltage plus approximately 1 V). If hysteresis is needed, the circuit in Figure 27 has a turnon voltage which is different than the turnoff voltage. The amount of hysteresis is approximately equal to the value of the output voltage. Because the SD/SS pin has an internal 7-V Zener clamp, R2 is needed to limit the current into this pin to approximately 1 mA when Q1 is on.



Copyright © 2016, Texas Instruments Incorporated

Figure 26. Undervoltage Lockout Without Hysteresis for an Inverting Regulator



Copyright © 2016, Texas Instruments Incorporated

Figure 27. Undervoltage Lockout With Hysteresis for an Inverting Regulator

Feature Description (continued)

8.3.2 Negative Voltage Charge Pump

Occasionally a low current negative voltage is needed for biasing parts of a circuit. A simple method of generating a negative voltage using a charge pump technique is shown in Figure 28. This unregulated negative voltage is approximately equal to the positive input voltage (minus a few volts), and can supply up to a 600 mA of output current. There is a requirement however, that there be a minimum load of 1.2 A on the regulated positive output for the charge pump to work correctly. Also, resistor R1 is required to limit the charging current of C1 to some value less than the LM2593HV current limit. This method of generating a negative output voltage without an additional inductor can be used with other members of the SIMPLE SWITCHER® family, using either the buck or boost topology.

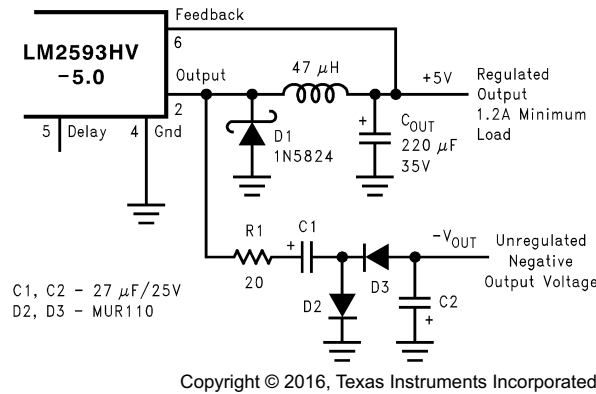


Figure 28. Charge Pump for Generating a Low-Current, Negative Output Voltage

8.3.3 Shutdown/Soft-Start

This reduction in start-up current is useful in situations where the input power source is limited in the amount of current it can deliver. In some applications, soft-start can be used to replace undervoltage lockout or delayed start-up functions. If a very slow output voltage ramp is desired, the soft-start capacitor can be made much larger. Many seconds or even minutes are possible. If only the shutdown feature is needed, the soft-start capacitor can be eliminated.

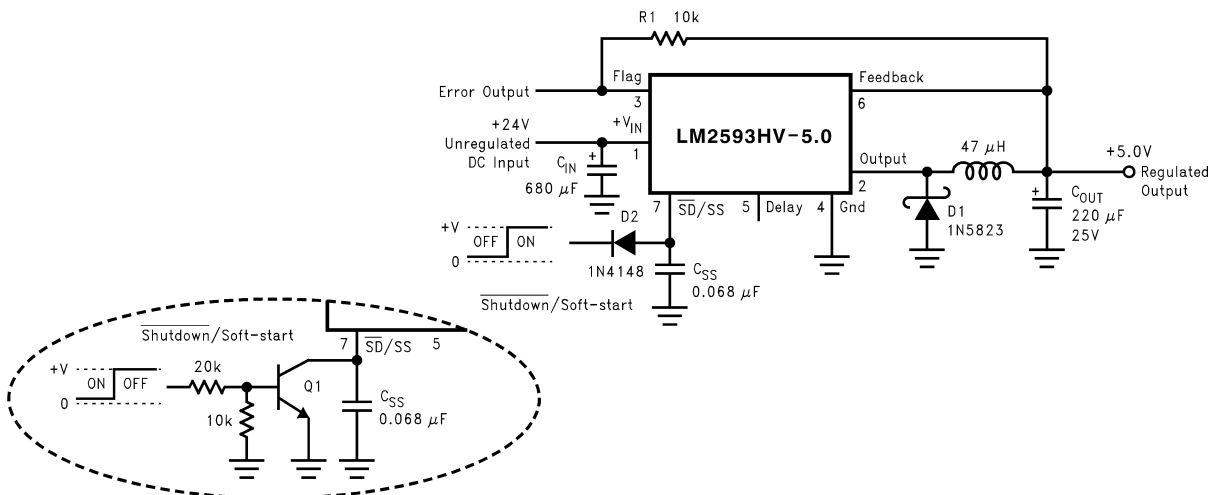
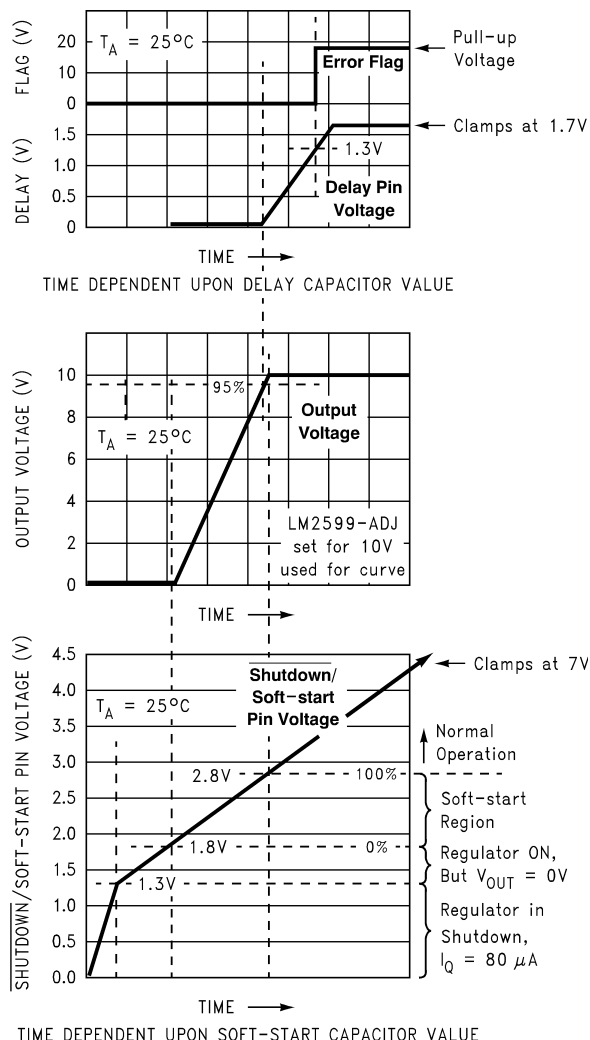


Figure 29. Typical Circuit Using Shutdown/Soft-Start and Error Flag Features

Feature Description (continued)



10133331

Figure 30. Soft-Start, Delay, Error Output

8.4 Device Functional Modes

8.4.1 Shutdown Mode

The Shutdown/Soft-start pin provides electrical ON and OFF control for the LM2593HV. When the voltage of this pin is less than 0.6 V, the device is in shutdown mode. The typical standby current in this mode is 90 μA.

8.4.2 Active Mode

When the Shutdown/Soft-start pin is left floating or pull above 2 V, the device starts switching and the output voltage rises until it reaches a normal regulation voltage.

9 Application and Implementation

NOTE

Information in the following applications sections is not part of the TI component specification, and TI does not warrant its accuracy or completeness. TI's customers are responsible for determining suitability of components for their purposes. Customers should validate and test their design implementation to confirm system functionality.

9.1 Application Information

9.1.1 Feedforward Capacitor, C_{FF}

(Adjustable output voltage version only)

A feedforward capacitor shown across R2 in [Test Circuits](#) is used when the output voltage is greater than 10 V or when C_{OUT} has a very low ESR. This capacitor adds lead compensation to the feedback loop and increases the phase margin for better loop stability. If the output voltage ripple is large (>5% of the nominal output voltage), this ripple can be coupled to the feedback pin through the feedforward capacitor and cause the error comparator to trigger the error flag. In this situation, adding a resistor, R_{FF} , in series with the feedforward capacitor, approximately 3 times R1, attenuates the ripple voltage at the feedback pin.

9.1.2 Input Capacitor, C_{IN}

A low-ESR aluminum or tantalum bypass capacitor is needed between the input pin and ground pin. It must be placed near the regulator using short leads. This capacitor prevents large voltage transients from appearing at the input, and provides the instantaneous current needed each time the switch turns on. The important parameters for the Input capacitor are the voltage rating and the RMS current rating. Because of the relatively high RMS currents flowing in a buck regulator's input capacitor, this capacitor must be chosen for its RMS current rating rather than its capacitance or voltage ratings, although the capacitance value and voltage rating are directly related to the RMS current rating. The voltage rating of the capacitor and its RMS ripple current capability must never be exceeded.

9.1.3 Output Capacitor, C_{OUT}

An output capacitor is required to filter the output and provide regulator loop stability. Low impedance or low ESR Electrolytic or solid tantalum capacitors designed for switching regulator applications must be used. When selecting an output capacitor, the important capacitor parameters are; the 100-kHz Equivalent Series Resistance (ESR), the RMS ripple current rating, voltage rating, and capacitance value. For the output capacitor, the ESR value is the most important parameter. The ESR must generally not be less than 100 mΩ or there will be loop instability. If the ESR is too large, efficiency and output voltage ripple are effected. So ESR must be chosen carefully.

9.1.4 Catch Diode

Buck regulators require a diode to provide a return path for the inductor current when the switch turns off. This must be a fast diode and must be placed close to the LM2593HV using short leads and short printed-circuit traces.

Because of their very fast switching speed and low forward voltage drop, Schottky diodes provide the best performance, especially in low output voltage applications (5 V and lower). Ultra-fast recovery, or high-efficiency rectifiers are also a good choice, but some types with an abrupt turnoff characteristic may cause instability or EMI problems. Ultra-fast recovery diodes typically have reverse recovery times of 50 ns or less. The diode must be chosen for its average or RMS current rating and maximum voltage rating. The voltage rating of the diode must be greater than the DC input voltage (not the output voltage).

Application Information (continued)

9.1.5 Inverting Regulator

The circuit in [Figure 31](#) converts a positive input voltage to a negative output voltage with a common ground. The circuit operates by bootstrapping the regulator's ground pin to the negative output voltage, then grounding the feedback pin, the regulator senses the inverted output voltage and regulates it. This example uses the LM2593HV 5-V to generate a -5-V output, but other output voltages are possible by selecting other output voltage versions, including the adjustable version. Because this regulator topology can produce an output voltage that is either greater than or less than the input voltage, the maximum output current greatly depends on both the input and output voltage. To determine how much load current is possible before the internal device current limit is reached (and power limiting occurs), the system must be evaluated as a buck-boost configuration rather than as a buck. The peak switch current in amperes, for such a configuration is given as [Equation 1](#).

$$I_{PEAK} = I_{LOAD} \times \left(\frac{V_{IN} + V_{OUT}}{V_{IN}} \right) + \frac{V_{IN} \times V_{OUT} \times 10^6}{2 \times L \times f \times (V_{IN} + V_{OUT})}$$

where

- L is in μH
- f is in Hz

(1)

The maximum possible load current I_{LOAD} is limited by the requirement that $I_{PEAK} \leq I_{CLIM}$. While checking for this, take I_{CLIM} to be the lowest possible current limit value (minimum across tolerance and temperature is 2.3 A for the LM2593HV). Also to account for inductor tolerances, take the minimum value of Inductance for L in [Equation 1](#) (typically 20% less than the nominal value). Further, the above equation disregards the drop across the switch and the diode. This is equivalent to assuming 100% efficiency, which is never so. Therefore expect I_{PEAK} to be an additional 10-20% higher than calculated from [Equation 1](#). See also Application Note *AN-1197 Selecting Inductors for Buck Converters (SNVA038)* for examples based on positive to negative configuration. The maximum voltage appearing across the regulator is the absolute sum of the input and output voltage. This must be limited to a maximum of 60 V. In this example, when converting 20 V to -5 V, the regulator would see 25 V between the input pin and ground pin. The LM2593HV has a maximum input voltage rating of 60 V. An additional diode is required in this regulator configuration. Diode D1 is used to isolate input voltage ripple or noise from coupling through the CIN capacitor to the output, under light or no load conditions. Also, this diode isolation changes the topology to closely resemble a buck configuration thus providing good closed-loop stability. A Schottky diode is recommended for low input voltages, (because of its lower voltage drop) but for higher input voltages, a IN5400 diode could be used. Because of differences in the operation of the inverting regulator, the standard design procedure is not used to select the inductor value. In the majority of designs, a 33- μH , 4-A inductor is the best choice. Capacitor selection can also be narrowed down to just a few values. This type of inverting regulator can require relatively large amounts of input current when starting up, even with light loads. Input currents as high as the LM2593HV current limit (approximately 4 A) are needed for 2 ms or more, until the output reaches its nominal output voltage. The actual time depends on the output voltage and the size of the output capacitor. Input power sources that are current limited or sources that can not deliver these currents without getting loaded down, may not work correctly. Because of the relatively high start-up currents required by the inverting topology, the soft-start feature shown in [Figure 31](#) is recommended. Also shown in [Figure 31](#) are several shutdown methods for the inverting configuration. With the inverting configuration, some level shifting is required, because the ground pin of the regulator is no longer at ground, but is now at the negative output voltage. The shutdown methods shown accept ground referenced shutdown signals.

Application Information (continued)

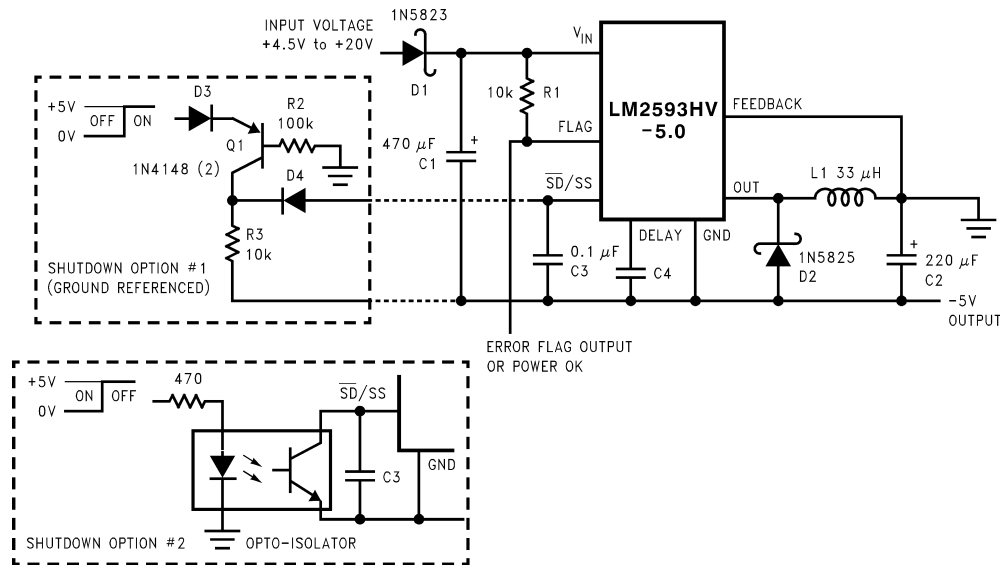
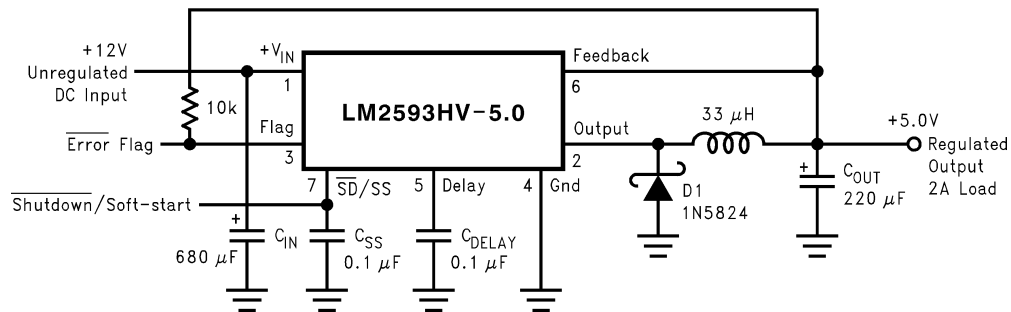


Figure 31. Inverting -5 V Regulator With Shutdown and Soft-Start

9.2 Typical Application



Copyright © 2016, Texas Instruments Incorporated

Figure 32. LM2593HV 5-V Application Schematic

9.2.1 Design Requirements

Table 1 lists the example values for this typical application.

Table 1. Application Example Parameters

DESIGN PARAMETER	EXAMPLE VALUE
Regulated output voltage (3.3 V, 5 V, or adjustable), V_{OUT}	5 V
Maximum input voltage, $V_{IN(max)}$	24 V
Maximum load current, $I_{LOAD(max)}$	1 A
Switching frequency, F	Fixed at a nominal 150 kHz

9.2.2 Detailed Design Procedure

9.2.2.1 Inductors Selection Procedure

See application note *AN-1197 Selecting Inductors for Buck Converters (SNVA038)* for detailed information on inductor selection. For a quick-start, see the nomographs provided in [Figure 33](#) to [Figure 35](#). To widen the choices to a more general selection of available inductors, the nomographs provide the required inductance and also the energy in the core expressed in microjoules (μJ), as an alternative to just prescribing custom parts. The following points must be highlighted:

1. The energy values shown on the nomographs apply to steady operation at the corresponding x-coordinate (rated maximum load current). However under start-up, without soft-start, or a short-circuit on the output, the current in the inductor momentarily and repetitively hits the current limit I_{CLIM} of the device, and this current could be much higher than the rated load, I_{LOAD} . This represents an overload situation, and can cause the inductor to saturate (if it has been designed only to handle the energy of steady operation). However most types of core structures used for such applications have a large inherent air gap (for example powdered iron types or ferrite rod inductors), and so the inductance does not fall off too sharply under an overload. The device is usually able to protect itself by not allowing the current to ever exceed I_{CLIM} . But if the DC input voltage to the regulator is over 40 V, the current can slew up so fast under core saturation, that the device may not be able to act fast enough to restrict the current. The current can then rise without limit till destruction of the device takes place. Therefore to ensure reliability, TI recommends, that if the DC input voltage exceeds 40 V, the inductor must always be sized to handle an instantaneous current equal to I_{CLIM} without saturating, irrespective of the type of core structure or material.
2. Use [Equation 2](#) to calculate the energy under steady operation.

$$e = \frac{1}{2} \times L \times I_{\text{PEAK}}^2 \mu\text{J}$$

where

- L is in μH
- I_{PEAK} is the peak of the inductor current waveform with the regulator delivering I_{LOAD} (2)

These are the energy values shown in the nomographs. See [Example 1](#).

3. The energy under overload is [Equation 3](#).

$$e = \frac{1}{2} \times L \times I_{\text{CLIM}}^2 \mu\text{J}$$

where

- L is in μH
- I_{PEAK} is the peak of the inductor current waveform with the regulator delivering I_{LOAD} (3)

If $V_{\text{IN}} > 40 \text{ V}$, the inductor must be sized to handle e_{CLIM} instead of the steady energy values. The worst case I_{CLIM} for the LM2593HV is 4 A. The energy rating depends on the inductance. See [Example 2](#).

4. The nomographs were generated by allowing a greater amount of percentage current ripple in the inductor as the maximum rated load decreases (see [Figure 36](#)). This was done to permit the use of smaller inductors at light loads. However, [Figure 36](#) shows only the *median* value of the current ripple. In reality there may be a great spread around this because the nomographs approximate the exact calculated inductance to standard available values. It is a good idea to refer to *AN-1197 Selecting Inductors for Buck Converters (SNVA038)* for detailed calculations if a certain maximum inductor current ripple is required for various possible reasons. Also consider the rather wide tolerance on the nominal inductance of commercial inductors.
5. [Figure 35](#) shows the inductor selection curves for the adjustable version. The y-axis is Et , in $\text{V}\mu\text{s}$. It is the applied volts across the inductor during the ON time of the switch ($V_{\text{IN}} - V_{\text{SAT}} - V_{\text{OUT}}$) multiplied by the time for which the switch is on in μs . See [Example 3](#).

9.2.2.1.1 Example 1: $V_{\text{IN}} \leq 40 \text{ V}$, 5-V Version, $V_{\text{IN}} = 24 \text{ V}$, Output = 5 V at 1 A

1. A first pass inductor selection is based upon inductance and rated maximum load current. Choose an inductor with the inductance value indicated by the nomograph (see [Figure 34](#)) and a current rating equal to the maximum load current. Therefore, quick-select a 68- μH , 1-A inductor (designed for 150-kHz operation) for this application.

- Confirm that it is rated to handle 50 μJ (see [Figure 34](#)) by either estimating the peak current or by a detailed calculation as shown in *AN-1197 Selecting Inductors for Buck Converters (SNVA038)*, and also that the losses are acceptable.

9.2.2.1.2 Example 2: $V_{\text{IN}} > 40\text{ V}$, 5-V version, $V_{\text{IN}} = 48\text{ V}$, Output = 5 V at 1.5 A

- A first pass inductor selection is based upon inductance and the switch current limit. Choose an inductor with the inductance value indicated by the nomograph (see [Figure 34](#)) and a current rating equal to I_{CLIM} . Therefore, quick-select a 68- μH , 4-A inductor (designed for 150-kHz operation) for this application.
- Confirm that it is rated to handle e_{CLIM} by the procedure shown in *AN-1197 Selecting Inductors for Buck Converters (SNVA038)* and that the losses are acceptable. Here e_{CLIM} is [Equation 4](#).

$$e_{\text{CLIM}} = \frac{1}{2} \times 68 \times 4^2 = 544 \mu\text{J} \quad (4)$$

9.2.2.1.3 Example 3: $V_{\text{IN}} \leq 40\text{ V}$, Adjustable Version, $V_{\text{IN}} = 20\text{ V}$, Output = 10 V at 2 A

- Because input voltage is less than 40 V, a first pass inductor selection is based upon inductance and rated maximum load current. Choose an inductor with the inductance value indicated by the nomograph [Figure 35](#) and a current rating equal to the maximum load. But first calculate Et for the given application. The duty cycle is [Equation 5](#).

$$D = \frac{V_{\text{OUT}} + V_{\text{D}}}{V_{\text{IN}} - V_{\text{SAT}} + V_{\text{D}}}$$

where

- V_{D} is the drop across the catch diode (0.5 V for a Schottky)
 - V_{SAT} the drop across the switch (1.5 V)
- (5)

So this yields [Equation 6](#).

$$D = \frac{10 + 0.5}{20 - 1.5 + 0.5} = 0.55 \quad (6)$$

- The switch ON time is calculated with [Equation 7](#).

$$t_{\text{ON}} = \frac{D}{f} \times 10^6 \mu\text{s}$$

where

- f is the switching frequency in Hz
- (7)

So this yields [Equation 8](#).

$$\begin{aligned} Et &= (V_{\text{IN}} - V_{\text{SAT}} - V_{\text{OUT}}) \times t_{\text{ON}} \\ &= (20 - 1.5 - 10) \times \frac{0.55}{150000} \times 10^6 \text{ V}\mu\text{sec s} \\ &= 31.3 \text{ V}\mu\text{sec s} \end{aligned} \quad (8)$$

- Therefore, looking at [Figure 33](#), quick-select a 47- μH , 2-A inductor (designed for 150-kHz operation) for this application.
- Confirm that it is rated to handle 200 μJ (see [Figure 35](#)) by the procedure shown in *AN-1197 Selecting Inductors for Buck Converters (SNVA038)* and that the losses are acceptable. (If the DC input voltage had been greater than 40 V, consider e_{CLIM} as in Example 2).

This completes the simplified inductor selection procedure. For more general applications and better optimization, refer to *AN-1197 Selecting Inductors for Buck Converters (SNVA038)*.

9.2.3 Application Curves

For continuous mode operation

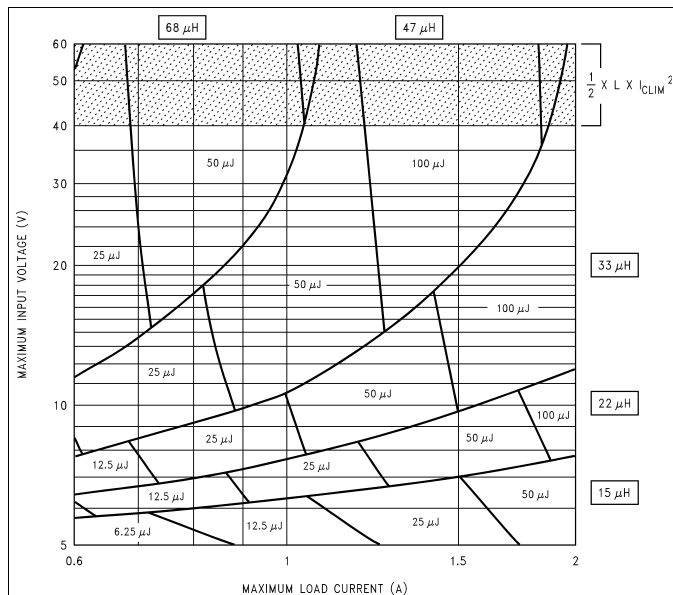


Figure 33. LM2593HV 3.3-V

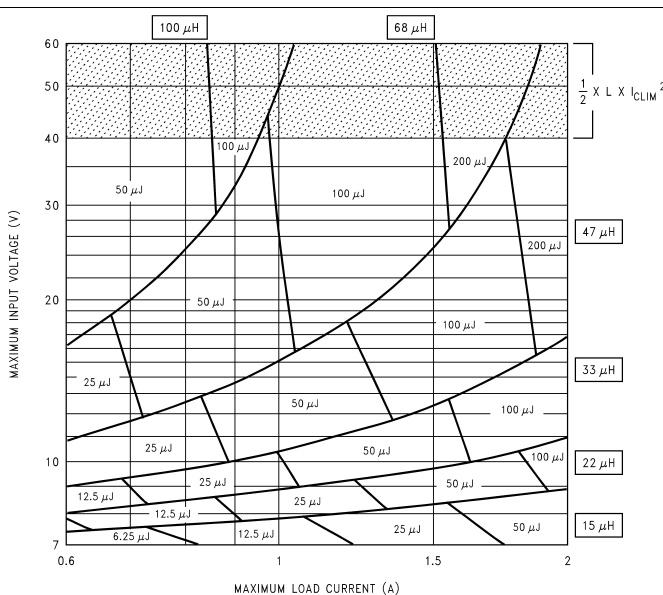


Figure 34. LM2593HV 5-V

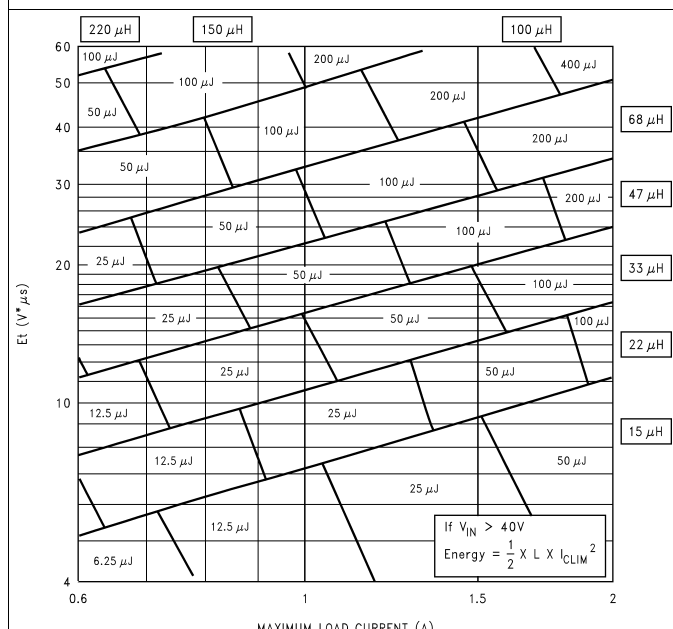


Figure 35. LM2593HV Adjustable Voltage

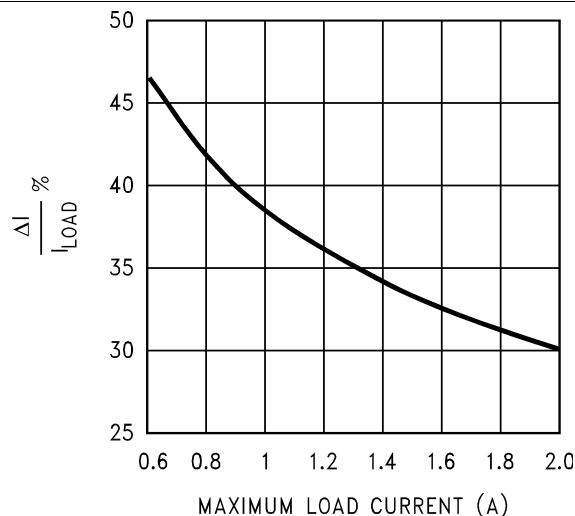


Figure 36. Current Ripple Ratio

10 Power Supply Recommendations

The LM2593HV is designed to operate from an input voltage supply up to 60 V. This input supply must be well regulated and able to withstand maximum input current and maintain a stable voltage.

11 Layout

11.1 Layout Guidelines

As in any switching regulator, layout is very important. Rapid switching currents associated with wiring inductance can generate voltage transients which can cause problems. For minimal inductance and ground loops, with reference to [Functional Block Diagram](#), the wires indicated by heavy lines must be wide printed-circuit traces and must be kept as short as possible. For best results, external components must be placed as close to the switcher IC as possible using ground plane construction or single-point grounding.

If open core inductors are used, take special care as to the location and positioning of this type of inductor. Allowing the inductor flux to intersect sensitive feedback, IC groundpath and C_{OUT} wiring can cause problems.

When using the adjustable version, take special care as to the location of the feedback resistors and the associated wiring. Physically place both resistors near the IC, and route the wiring away from the inductor, especially an open core type of inductor.

11.2 Layout Example

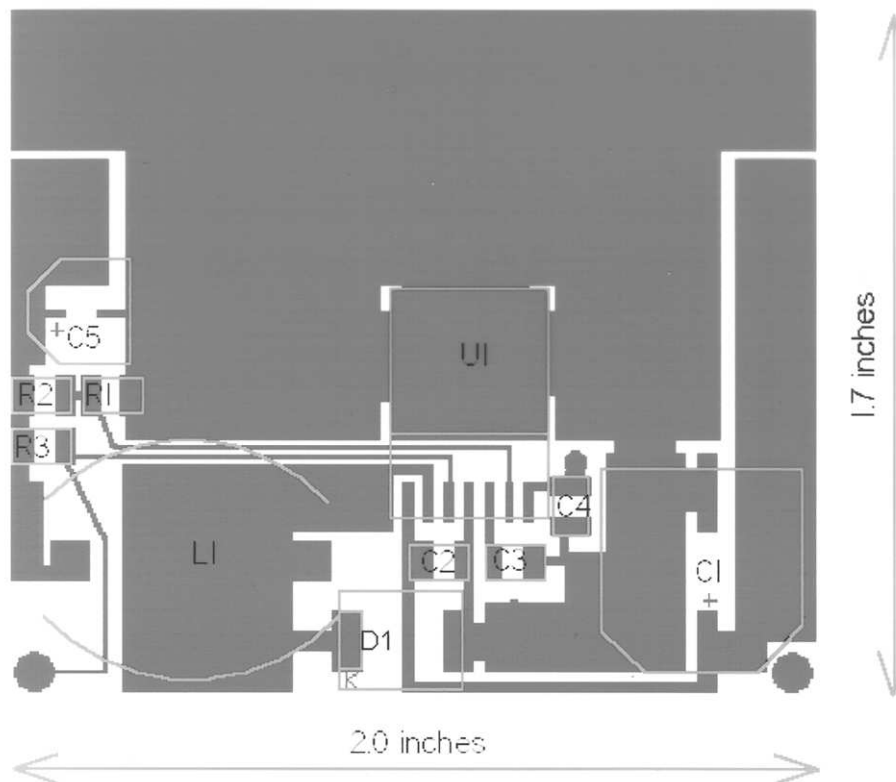


Figure 37. Top Side (Component Side) of PCB

11.3 Thermal Considerations

The LM2593HV is available in two packages, a 5-pin TO-220 (T) and a 5-pin surface-mount TO-263 (S). The TO-220 package needs a heat sink under most conditions. The size of the heat sink depends on the input voltage, the output voltage, the load current, and the ambient temperature. Higher ambient temperatures require more heat sinking. The TO-263 surface-mount package tab is designed to be soldered to the copper on a printed-circuit board. The copper and the board are the heat sink for this package and the other heat-producing components, such as the catch diode and inductor. The PCB copper area that the package is soldered to must be at least 0.4 in², and ideally must have 2 or more square inches of 2-oz. (0.0028 in) copper. Additional copper area improves the thermal characteristics, but with copper areas greater than approximately 6 in², only small improvements in heat dissipation are realized. If further thermal improvements are needed, double-sided, multilayer PCB with large copper areas or airflow are recommended. The curves shown in Figure 38 show the LM2593HVS (TO-263 package) junction temperature rise above ambient temperature with a 2-A load for various input and output voltages. This data was taken with the circuit operating as a buck switching regulator with all components mounted on a PCB to simulate the junction temperature under actual operating conditions. This curve can be used for a quick check for the approximate junction temperature for various conditions, but be aware that there are many factors that can affect the junction temperature. When load currents higher than 2 A are used, double-sided or multilayer PCBs with large copper areas or airflow might be required, especially for high ambient temperatures and high output voltages. For the best thermal performance, wide copper traces and generous amounts of printed-circuit board copper must be used in the board layout. (One exception to this is the output (switch) pin, which must not have large areas of copper.) Large areas of copper provide the best transfer of heat (lower thermal resistance) to the surrounding air, and moving air lowers the thermal resistance even further. Package thermal resistance and junction temperature rise numbers are all approximate, and there are many factors that affect these numbers. Some of these factors include board size, shape, thickness, position, location, and even board temperature. Other factors are, trace width, total printed-circuit copper area, copper thickness, single- or double-sided, multilayer board, and the amount of solder on the board. The effectiveness of the PCB to dissipate heat also depends on the size, quantity, and spacing of other components on the board, as well as whether the surrounding air is still or moving. Furthermore, some of these components, such as the catch diode will add heat to the PCB and the heat can vary as the input voltage changes. For the inductor, depending on the physical size, type of core material, and the DC resistance, it could either act as a heat sink taking heat away from the board, or it could add heat to the board.

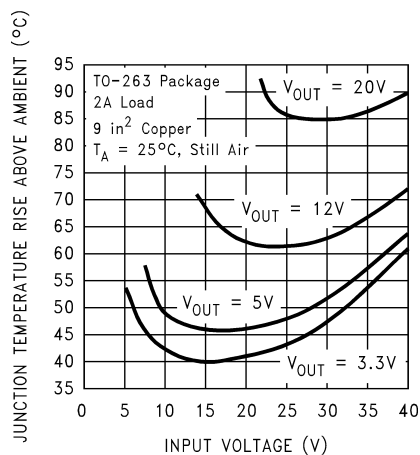


Figure 38. Junction Temperature Rise, TO-263

12 Device and Documentation Support

12.1 Documentation Support

12.1.1 Related Documentation

For related documentation see the following:

AN-1197 Selecting Inductors for Buck Converters, [SNVA038](#)

12.2 Community Resources

The following links connect to TI community resources. Linked contents are provided "AS IS" by the respective contributors. They do not constitute TI specifications and do not necessarily reflect TI's views; see TI's [Terms of Use](#).

TI E2E™ Online Community *TI's Engineer-to-Engineer (E2E) Community*. Created to foster collaboration among engineers. At [e2e.ti.com](#), you can ask questions, share knowledge, explore ideas and help solve problems with fellow engineers.

Design Support *TI's Design Support* Quickly find helpful E2E forums along with design support tools and contact information for technical support.

12.3 Trademarks

E2E is a trademark of Texas Instruments.

SIMPLE SWITCHER is a registered trademark of Texas Instruments.

All other trademarks are the property of their respective owners.

12.4 Electrostatic Discharge Caution



These devices have limited built-in ESD protection. The leads should be shorted together or the device placed in conductive foam during storage or handling to prevent electrostatic damage to the MOS gates.

12.5 Glossary

[SLYZ022](#) — *TI Glossary*.

This glossary lists and explains terms, acronyms, and definitions.

13 Mechanical, Packaging, and Orderable Information

The following pages include mechanical, packaging, and orderable information. This information is the most current data available for the designated devices. This data is subject to change without notice and revision of this document. For browser-based versions of this data sheet, refer to the left-hand navigation.

PACKAGING INFORMATION

Orderable Device	Status (1)	Package Type	Package Drawing	Pins	Package Qty	Eco Plan (2)	Lead finish/ Ball material (6)	MSL Peak Temp (3)	Op Temp (°C)	Device Marking (4/5)	Samples
LM2593HVS-3.3/NOPB	ACTIVE	DDPAK/ TO-263	KTW	7	45	RoHS-Exempt & Green	SN	Level-3-245C-168 HR	-40 to 125	LM2593HVS -3.3 P+	Samples
LM2593HVS-5.0/NOPB	ACTIVE	DDPAK/ TO-263	KTW	7	45	RoHS-Exempt & Green	SN	Level-3-245C-168 HR	-40 to 125	LM2593HVS -5.0 P+	Samples
LM2593HVS-ADJ	NRND	DDPAK/ TO-263	KTW	7	45	Non-RoHS & Green	Call TI	Level-3-235C-168 HR	-40 to 125	LM2593HVS -ADJ P+	
LM2593HVS-ADJ/NOPB	ACTIVE	DDPAK/ TO-263	KTW	7	45	RoHS-Exempt & Green	SN	Level-3-245C-168 HR	-40 to 125	LM2593HVS -ADJ P+	Samples
LM2593HVSX-3.3/NOPB	ACTIVE	DDPAK/ TO-263	KTW	7	500	RoHS-Exempt & Green	SN	Level-3-245C-168 HR	-40 to 125	LM2593HVS -3.3 P+	Samples
LM2593HVSX-5.0/NOPB	ACTIVE	DDPAK/ TO-263	KTW	7	500	RoHS-Exempt & Green	SN	Level-3-245C-168 HR	-40 to 125	LM2593HVS -5.0 P+	Samples
LM2593HVSX-ADJ/NOPB	ACTIVE	DDPAK/ TO-263	KTW	7	500	RoHS-Exempt & Green	SN	Level-3-245C-168 HR	-40 to 125	LM2593HVS -ADJ P+	Samples
LM2593HVT-5.0/NOPB	ACTIVE	TO-220	NDZ	7	45	RoHS & Green	SN	Level-1-NA-UNLIM	-40 to 125	LM2593HVT -5.0 P+	Samples
LM2593HVT-ADJ/NOPB	ACTIVE	TO-220	NDZ	7	45	RoHS & Green	SN	Level-1-NA-UNLIM	-40 to 125	LM2593HVT -ADJ P+	Samples

(1) The marketing status values are defined as follows:

ACTIVE: Product device recommended for new designs.

LIFEBUY: TI has announced that the device will be discontinued, and a lifetime-buy period is in effect.

NRND: Not recommended for new designs. Device is in production to support existing customers, but TI does not recommend using this part in a new design.

PREVIEW: Device has been announced but is not in production. Samples may or may not be available.

OBSELETE: TI has discontinued the production of the device.

(2) **RoHS:** TI defines "RoHS" to mean semiconductor products that are compliant with the current EU RoHS requirements for all 10 RoHS substances, including the requirement that RoHS substance do not exceed 0.1% by weight in homogeneous materials. Where designed to be soldered at high temperatures, "RoHS" products are suitable for use in specified lead-free processes. TI may reference these types of products as "Pb-Free".

RoHS Exempt: TI defines "RoHS Exempt" to mean products that contain lead but are compliant with EU RoHS pursuant to a specific EU RoHS exemption.

Green: TI defines "Green" to mean the content of Chlorine (Cl) and Bromine (Br) based flame retardants meet JS709B low halogen requirements of <=1000ppm threshold. Antimony trioxide based flame retardants must also meet the <=1000ppm threshold requirement.

(3) MSL, Peak Temp. - The Moisture Sensitivity Level rating according to the JEDEC industry standard classifications, and peak solder temperature.

- (4) There may be additional marking, which relates to the logo, the lot trace code information, or the environmental category on the device.
- (5) Multiple Device Markings will be inside parentheses. Only one Device Marking contained in parentheses and separated by a "~" will appear on a device. If a line is indented then it is a continuation of the previous line and the two combined represent the entire Device Marking for that device.
- (6) Lead finish/Ball material - Orderable Devices may have multiple material finish options. Finish options are separated by a vertical ruled line. Lead finish/Ball material values may wrap to two lines if the finish value exceeds the maximum column width.

Important Information and Disclaimer:The information provided on this page represents TI's knowledge and belief as of the date that it is provided. TI bases its knowledge and belief on information provided by third parties, and makes no representation or warranty as to the accuracy of such information. Efforts are underway to better integrate information from third parties. TI has taken and continues to take reasonable steps to provide representative and accurate information but may not have conducted destructive testing or chemical analysis on incoming materials and chemicals. TI and TI suppliers consider certain information to be proprietary, and thus CAS numbers and other limited information may not be available for release.

In no event shall TI's liability arising out of such information exceed the total purchase price of the TI part(s) at issue in this document sold by TI to Customer on an annual basis.

TAPE AND REEL INFORMATION

QUADRANT ASSIGNMENTS FOR PIN 1 ORIENTATION IN TAPE


*All dimensions are nominal

Device	Package Type	Package Drawing	Pins	SPQ	Reel Diameter (mm)	Reel Width W1 (mm)	A0 (mm)	B0 (mm)	K0 (mm)	P1 (mm)	W (mm)	Pin1 Quadrant
LM2593HVSX-3.3/NOPB	DDPAK/ TO-263	KTW	7	500	330.0	24.4	10.75	14.85	5.0	16.0	24.0	Q2
LM2593HVSX-5.0/NOPB	DDPAK/ TO-263	KTW	7	500	330.0	24.4	10.75	14.85	5.0	16.0	24.0	Q2
LM2593HVSX-ADJ/NOPB	DDPAK/ TO-263	KTW	7	500	330.0	24.4	10.75	14.85	5.0	16.0	24.0	Q2

TAPE AND REEL BOX DIMENSIONS


*All dimensions are nominal

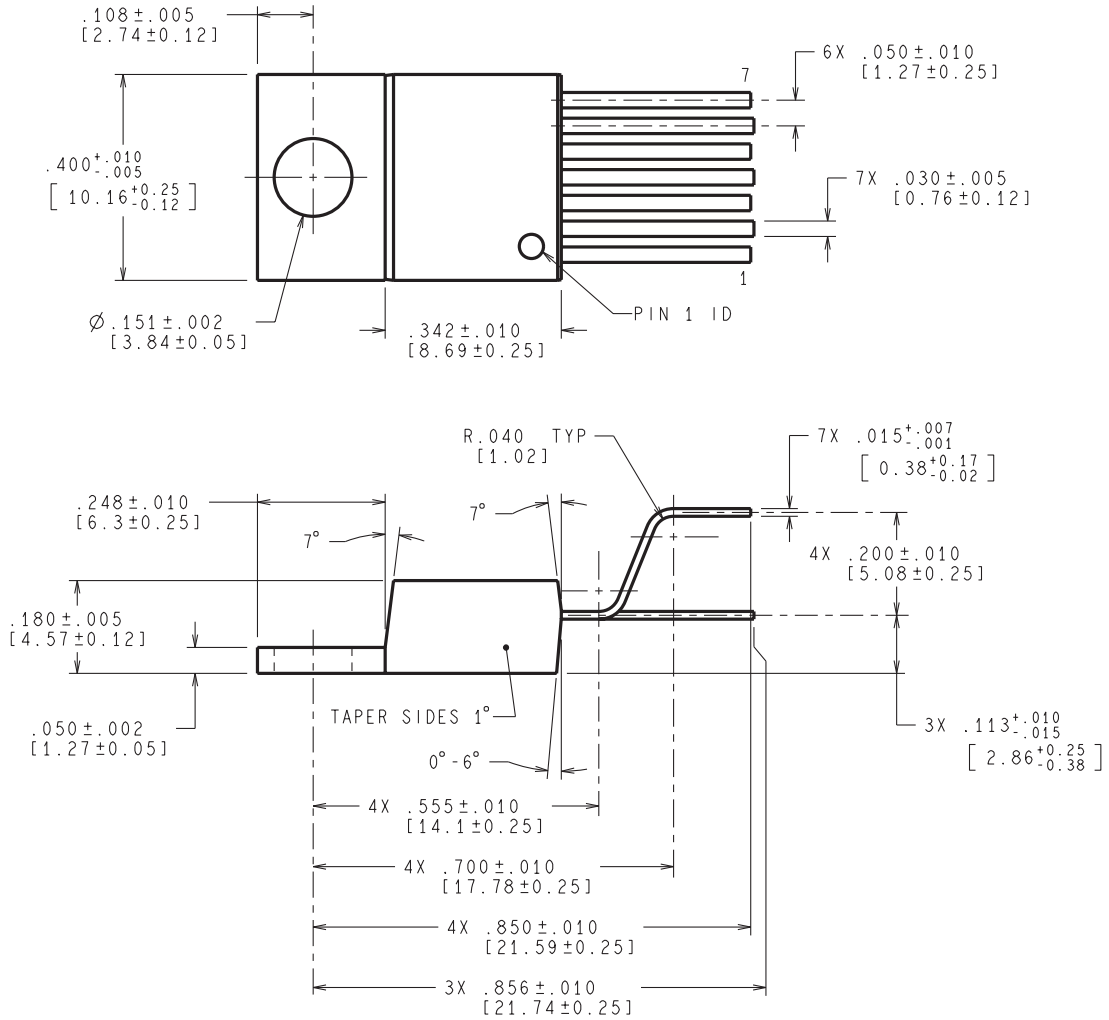
Device	Package Type	Package Drawing	Pins	SPQ	Length (mm)	Width (mm)	Height (mm)
LM2593HVSX-3.3/NOPB	DDPAK/TO-263	KTW	7	500	367.0	367.0	45.0
LM2593HVSX-5.0/NOPB	DDPAK/TO-263	KTW	7	500	367.0	367.0	45.0
LM2593HVSX-ADJ/NOPB	DDPAK/TO-263	KTW	7	500	367.0	367.0	45.0

TUBE


*All dimensions are nominal

Device	Package Name	Package Type	Pins	SPQ	L (mm)	W (mm)	T (μm)	B (mm)
LM2593HVS-3.3/NOPB	KTW	TO-263	7	45	502	25	8204.2	9.19
LM2593HVS-5.0/NOPB	KTW	TO-263	7	45	502	25	8204.2	9.19
LM2593HVS-ADJ	KTW	TO-263	7	45	502	25	8204.2	9.19
LM2593HVS-ADJ	KTW	TO-263	7	45	502	25	8204.2	9.19
LM2593HVS-ADJ/NOPB	KTW	TO-263	7	45	502	25	8204.2	9.19
LM2593HVT-5.0/NOPB	NDZ	TO-220	7	45	502	30	30048.2	10.74
LM2593HVT-ADJ/NOPB	NDZ	TO-220	7	45	502	30	30048.2	10.74

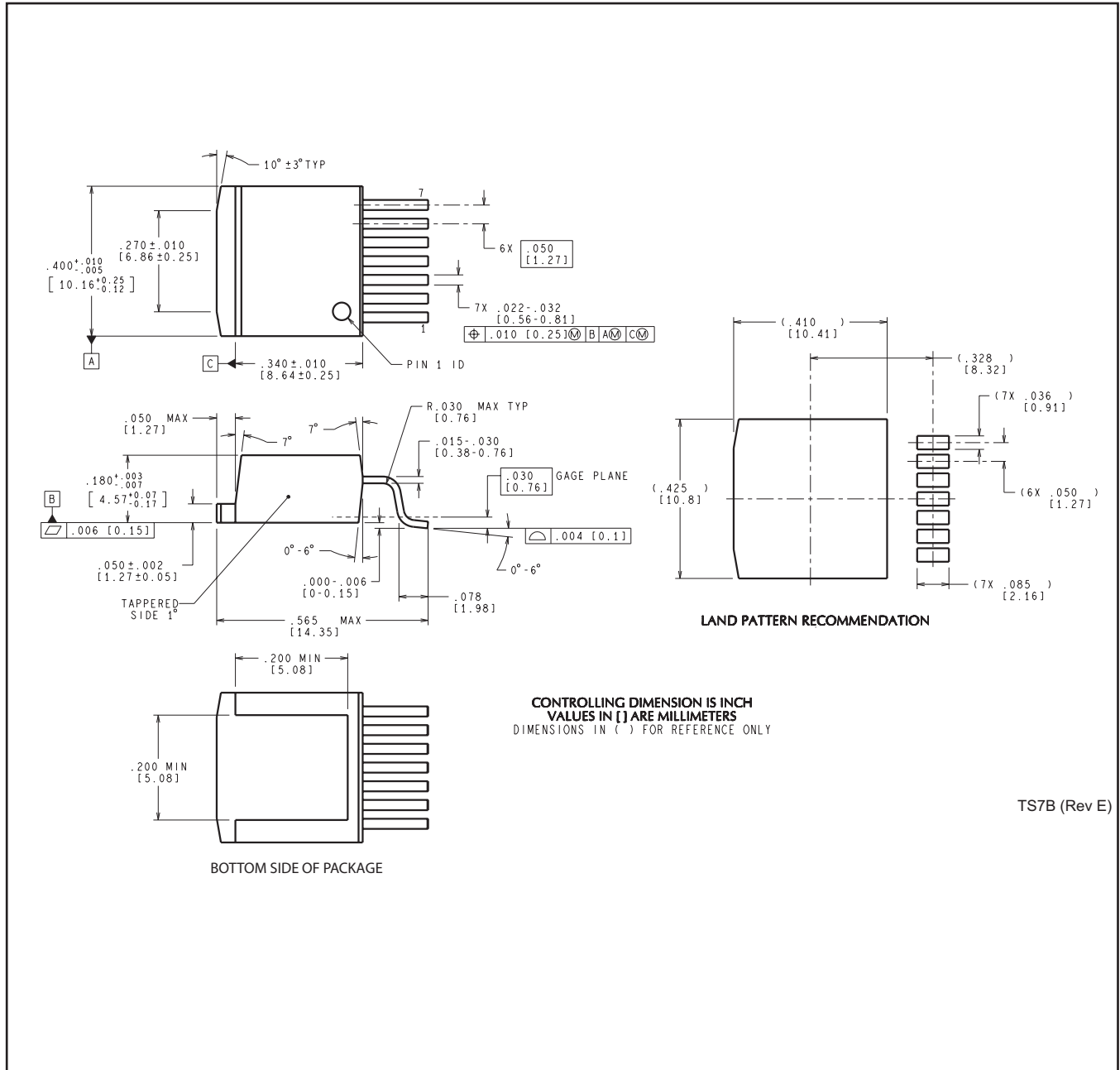
NDZ0007B



CONTROLLING DIMENSIONS IS INCH
 VALUES IN [] ARE MILLIMETERS

TA07B (Rev E)

KTW0007B



IMPORTANT NOTICE AND DISCLAIMER

TI PROVIDES TECHNICAL AND RELIABILITY DATA (INCLUDING DATA SHEETS), DESIGN RESOURCES (INCLUDING REFERENCE DESIGNS), APPLICATION OR OTHER DESIGN ADVICE, WEB TOOLS, SAFETY INFORMATION, AND OTHER RESOURCES "AS IS" AND WITH ALL FAULTS, AND DISCLAIMS ALL WARRANTIES, EXPRESS AND IMPLIED, INCLUDING WITHOUT LIMITATION ANY IMPLIED WARRANTIES OF MERCHANTABILITY, FITNESS FOR A PARTICULAR PURPOSE OR NON-INFRINGEMENT OF THIRD PARTY INTELLECTUAL PROPERTY RIGHTS.

These resources are intended for skilled developers designing with TI products. You are solely responsible for (1) selecting the appropriate TI products for your application, (2) designing, validating and testing your application, and (3) ensuring your application meets applicable standards, and any other safety, security, regulatory or other requirements.

These resources are subject to change without notice. TI grants you permission to use these resources only for development of an application that uses the TI products described in the resource. Other reproduction and display of these resources is prohibited. No license is granted to any other TI intellectual property right or to any third party intellectual property right. TI disclaims responsibility for, and you will fully indemnify TI and its representatives against, any claims, damages, costs, losses, and liabilities arising out of your use of these resources.

TI's products are provided subject to [TI's Terms of Sale](#) or other applicable terms available either on ti.com or provided in conjunction with such TI products. TI's provision of these resources does not expand or otherwise alter TI's applicable warranties or warranty disclaimers for TI products.

TI objects to and rejects any additional or different terms you may have proposed.

Mailing Address: Texas Instruments, Post Office Box 655303, Dallas, Texas 75265
Copyright © 2022, Texas Instruments Incorporated