

Click [here](#) to ask an associate for production status of specific part numbers.

MAX25608

12-Switch, High-Brightness LED Matrix Manager for Automotive Front Lights

General Description

The MAX25608/MAX25608B/MAX25608C 12-switch matrix manager ICs for automotive lighting applications include a 12-switch array for bypassing individual LEDs in a single- or dual-string application. They feature 12 individually controlled n-channel MOSFET switches rated for 14V with an on-resistance of 0.06Ω. A single current source can be used to power all of the LEDs connected in series. Individual LEDs can be dimmed by turning on and off the bypass switches across each LED. The devices can also be configured in dual-string applications with six switches in series per string. Each switch can be connected across one, two, or three LEDs in series. These devices also allow for parallel connection of two switches to bypass high-current LEDs. The ICs also include an internal charge pump that provides power for the gate drive for the LED bypass switches.

The MAX25608/MAX25608B/MAX25608C feature a serial interface (UART) for serial communication. The MAX25608/MAX25608C can be used in full-duplex applications, and the MAX25608B can be used in half-duplex applications, such as with CAN transceivers. The MAX25608 has spread spectrum enabled on the charge pump clock, and the MAX25608B/MAX25608C have spread spectrum disabled on the charge pump clock. Each switch can be turned fully on, fully off, or dimmed with or without fade transitions through the serial interface. The ICs feature open-LED protection as well as open- and short-LED fault reporting through the serial interface. The devices are available in a 28-pin TSSOP package with exposed pad.

Applications

- Automotive Matrix LED Systems
- Adaptive Drive Beam Lights

Benefits and Features

- Automotive Ready: AEC-Q100 Qualified
- Flexible Configuration
 - Up to 12 Switches in Series for Single String
 - Two Sub Strings of Six Series Switches per String
- Robust Serial Interface
 - Multidrop UART Communication Interface
 - Up to 16 Addressable Devices
 - Compatible with CAN Physical Layer (MAX25608B)
- Optimal PWM Dimming Arrangement Provides Excellent Dimming Performance
 - Programmable 12-Bit PWM Dimming
 - Fade Transition Between PWM Dimming States
 - Internal or External Clock for PWM Dimming
 - Programmable Slew Rate for EMI Control
- Protection Features and Package Improve Reliability
 - Open-LED Protection
 - NTC Temperature Monitor
 - Programmable Open- and Short-LED Threshold
 - Open and Shorted-LED Fault Reporting
 - Thermally Enhanced, 28-Pin TSSOP-EP

Simplified Block Diagram

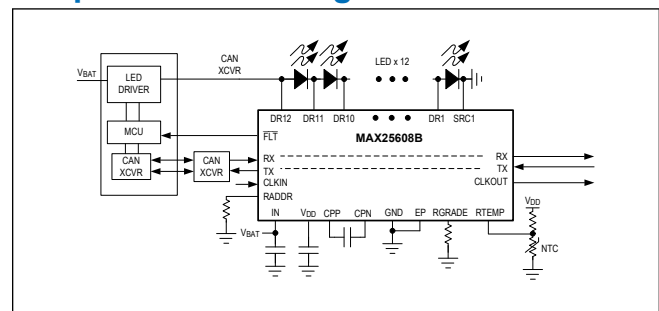


TABLE OF CONTENTS

| | |
|---|----|
| General Description | 1 |
| Applications | 1 |
| Benefits and Features | 1 |
| Simplified Block Diagram | 1 |
| Absolute Maximum Ratings | 6 |
| Package Information | 6 |
| 28 TSSOP | 6 |
| Electrical Characteristics | 7 |
| Pin Configuration | 9 |
| Pin Description | 10 |
| Functional Diagrams | 11 |
| MAX25608 Block Diagram | 11 |
| MAX25608B Block Diagram | 12 |
| MAX25608C Block Diagram | 13 |
| Detailed Description | 14 |
| Power-on Reset and VDD_UVLO | 14 |
| Internal Switches | 14 |
| Power-up Sequence | 14 |
| Spread Spectrum | 14 |
| Programming Options | 14 |
| Pin Resistor Decode Table | 14 |
| Resistor Programming Table | 15 |
| PWM Dimming | 15 |
| PWM Clock and Synchronous Operation with Multiple Devices | 16 |
| Dimming With and Without Fade | 16 |
| RTEMP | 18 |
| Fault Pin Behaviour | 18 |
| LED Fault Detection and Protection | 18 |
| LED Open-Fault Detection and Protection | 18 |
| LED Short Detection | 19 |
| Unused Switches and Pins | 19 |
| Thermal Shutdown | 19 |
| UART Serial Interface | 19 |
| Overview | 19 |
| Device Connections | 20 |
| UART Packet Format | 20 |
| UART Frame and Interframe Format | 21 |
| Rx Rise and Fall Times | 22 |
| Synchronization and Acknowledge Frames | 22 |

TABLE OF CONTENTS (CONTINUED)

| | |
|--|----|
| Device ID and Address Frame Format | 23 |
| Write Transactions | 23 |
| Read Transactions | 24 |
| CRC Error Checking | 24 |
| UART Watchdog Function. | 25 |
| UART Communication Error Handling | 25 |
| UART Timeout Conditions | 25 |
| Register Map | 27 |
| MAX25608/MAX25608B/MAX25608C | 27 |
| Register Details | 30 |
| Typical Application Circuits | 63 |
| MAX25608/MAX25608C | 63 |
| MAX25608B | 64 |
| Ordering Information | 64 |
| Revision History | 65 |

LIST OF FIGURES

| | |
|--|----|
| Figure 1. PWM Dimming | 16 |
| Figure 2. Up-Transition Curve | 17 |
| Figure 3. Down-Transition Curve | 18 |
| Figure 4. Back-to-Back Write/Read Packets for MAX25608/MAX25608C | 20 |
| Figure 5. Back-to-Back Read Packet Format for MAX25608B | 20 |
| Figure 6. Back-to-Back Write Packet Format for MAX25608B | 21 |
| Figure 7. Frame Format | 21 |
| Figure 8. Interframe Format | 21 |
| Figure 9. Rx Rise Time and Fall Time | 22 |
| Figure 10. SYNC Frame | 22 |
| Figure 11. ACK Frame | 23 |
| Figure 12. Device ID and Address Frame | 23 |
| Figure 13. Write Packet | 24 |
| Figure 14. Read Packet | 24 |
| Figure 15. Final Frame | 25 |

LIST OF TABLES

Table 1. Device ID Table 14
Table 2. RADDR/RGRADE Recommended Values 15

Absolute Maximum Ratings

| | | | |
|-----------------------|----------------|--|---------------------------------|
| IN to GND | -0.3V to +65V | RTEMP, RGRADE, CLKIN, CLKOUT, RADDR to GND .. | -0.3V to $V_{VDD} + 0.3V$ |
| V_{DD} to GND | -0.3V to +2.5V | RX, TX, \overline{FLT} to GND | -0.3V to +6V |
| CPN to GND | -0.3V to +65V | Continuous Power Dissipation (multilayer board) ($T_A = 70^\circ C$, derate 40.57mW/ $^\circ C$ above $+70^\circ C$) | 3245.44mW |
| CPP to GND | -0.3V to +70V | Operating Temperature Range | $-40^\circ C$ to $+125^\circ C$ |
| CPP to DRx | -0.3V to +6V | Junction Temperature | $+150^\circ C$ |
| DR12 to GND | -0.3V to +65V | Storage Temperature Range | $-40^\circ C$ to $+150^\circ C$ |
| DRx to DR(x-1) | -0.3V to +16V | Soldering Temperature (reflow) | $+260^\circ C$ |
| DR6 to GND | -0.3V to +65V | | |
| SRCx to GND | -0.3V to +65V | | |

Stresses beyond those listed under "Absolute Maximum Ratings" may cause permanent damage to the device. These are stress ratings only, and functional operation of the device at these or any other conditions beyond those indicated in the operational sections of the specifications is not implied. Exposure to absolute maximum rating conditions for extended periods may affect device reliability.

Package Information

28 TSSOP

| | |
|--|---------------------------|
| Package Code | U28E+6C |
| Outline Number | 21-0108 |
| Land Pattern Number | 90-100175 |
| Thermal Resistance, Four-Layer Board: | |
| Junction to Ambient (θ_{JA}) | 24.6 $^\circ C/W$ |
| Junction to Case (θ_{JC}) | 1.5 $^\circ C/W$ |

For the latest package outline information and land patterns (footprints), go to www.maximintegrated.com/packages. Note that a "+", "#", or "-" in the package code indicates RoHS status only. Package drawings may show a different suffix character, but the drawing pertains to the package regardless of RoHS status.

Package thermal resistances were obtained using the method described in JEDEC specification JESD51-7, using a four-layer board. For detailed information on package thermal considerations, refer to www.maximintegrated.com/thermal-tutorial.

Electrical Characteristics

($V_{IN} = 5V$, $T_A = T_J = -40^{\circ}C$ to $+125^{\circ}C$ ([Note 1](#)), unless otherwise noted. Limits are 100% tested at $T_A = +25^{\circ}C$. Limits over the operating temperature range and relevant supply voltage range are guaranteed by design and characterization.)

| PARAMETER | SYMBOL | CONDITIONS | MIN | TYP | MAX | UNITS |
|--|--------------|--|------|--------|------|----------|
| SUPPLY VOLTAGES | | | | | | |
| Supply Voltage | V_{IN} | Operating voltage range | 4.0 | | 60 | V |
| Input Current | I_{IN} | $V_{IN} = 5V$ | | 4.2 | 6 | mA |
| Input POR Threshold | V_{IN-POR} | V_{IN} rising | 3.6 | | 3.9 | V |
| Charge Pump DRAINn Input Current | I_{INQP} | | | | 6 | mA |
| Charge-Pump Operating Voltage | V_{CPP} | | | | 65 | V |
| VDD_UVLO Rising Threshold | UVLO_R_TH | | 1.61 | | 1.69 | V |
| VDD_UVLO Falling Threshold | UVLO_F_TH | | 1.54 | | 1.63 | V |
| LED DIMMING | | | | | | |
| Internal Oscillator Frequency | f_{OSC} | Used for charge pump and PWM dimming of LEDs | | 16.384 | | MHz |
| LED PWM Dimming Frequency Range | f_{DIM} | | 100 | | 2000 | Hz |
| LED SWITCHES | | | | | | |
| Single-Switch On-Resistance | R_{DSON} | | | 0.060 | | Ω |
| On-Resistance with Series Switches 6–1 on | | | | 0.36 | 0.75 | Ω |
| On-Resistance with Series Switches 12–7 on | | | | 0.36 | 0.75 | Ω |
| Open LED Threshold (Rising) | VOTH | VOTH code = 0x0 | 12.0 | 14.0 | 15.0 | V |
| | | VOTH code = 0x1 | 8.3 | 9.33 | 10.0 | |
| | | VOTH code = 0x2 | 4.0 | 4.66 | 5.1 | |
| Short LED Threshold (Rising) | VSTH | VSTH code = 000 | 1.26 | 1.40 | 1.54 | V |
| | | VSTH code = 001 | 3.24 | 3.6 | 3.96 | |
| | | VSTH code = 010 | 3.6 | 4.00 | 4.4 | |
| | | VSTH code = 011 | 4.95 | 5.5 | 6.05 | |
| | | VSTH code = 100 | 5.4 | 6.0 | 6.6 | |
| | | VSTH code = 101 | 5.94 | 6.6 | 7.26 | |
| | | VSTH code = 110 | 6.48 | 7.2 | 7.92 | |
| | | VSTH code = 111 | 6.93 | 7.70 | 8.47 | |
| Maximum Switch Current | I_{SW} | Thermally limited | | 1.6 | | A |
| LED Slew-Rate Setting 0 | SR_LED_0 | 0 to 6V step, 10% to 90% rise/fall time, LED_SLEW[2:0] = 0x0 | | 160 | | μs |
| LED Slew-Rate Setting 1 | SR_LED_1 | 0 to 6V step, 10% to 90% rise/fall time, LED_SLEW[2:0] = 0x1 | | 81 | | μs |

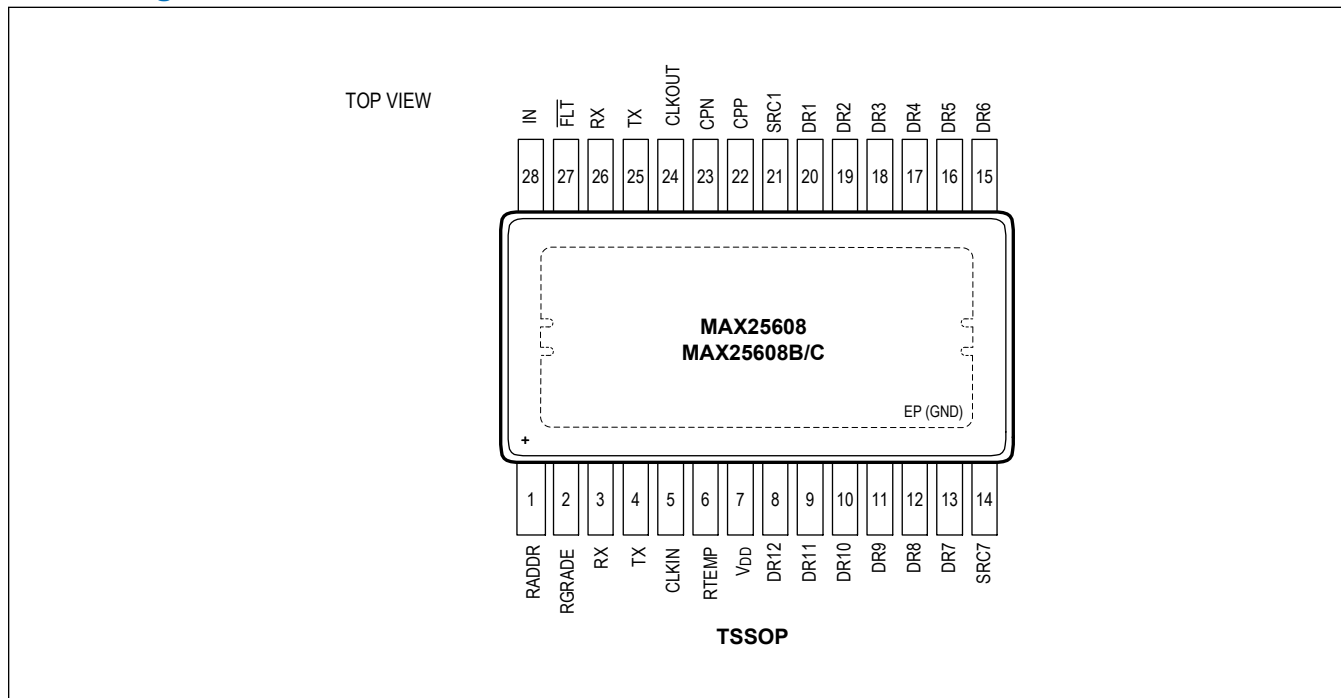
Electrical Characteristics (continued)

($V_{IN} = 5V$, $T_A = T_J = -40^{\circ}C$ to $+125^{\circ}C$ ([Note 1](#)), unless otherwise noted. Limits are 100% tested at $T_A = +25^{\circ}C$. Limits over the operating temperature range and relevant supply voltage range are guaranteed by design and characterization.)

| PARAMETER | SYMBOL | CONDITIONS | MIN | TYP | MAX | UNITS |
|---|---------------|--|----------------|--------|------|-------------|
| LED Slew-Rate Setting 2 | SR_LED_2 | 0 to 6V step, 10% to 90% rise/fall time, LED_SLEW[2:0] = 0x2 | | 48 | | μs |
| LED Slew-Rate Setting 3 | SR_LED_3 | 0 to 6V step, 10% to 90% rise/fall time, LED_SLEW[2:0] = 0x3 | | 26 | | μs |
| LED Slew-Rate Setting 4 | SR_LED_4 | 0 to 6V step, 10% to 90% rise/fall time, LED_SLEW[2:0] = 0x4 | | 17 | | μs |
| LED Slew-Rate Setting 5 | SR_LED_5 | 0 to 6V step, 10% to 90% rise/fall time, LED_SLEW[2:0] = 0x5 | | 10 | | μs |
| LED Slew-Rate Setting 6 | SR_LED_6 | 0 to 6V step, 10% to 90% rise/fall time, LED_SLEW[2:0] = 0x6 | | 5.0 | | μs |
| DIGITAL INPUTS – CLKIN, Rx | | | | | | |
| Input High Voltage | V_{IH} | | 1.4 | | | V |
| Input Low Voltage | V_{IL} | | | | 0.4 | V |
| CLKIN Input Frequency | f_{CLK} | | 0.30 | | 20.0 | MHz |
| DIGITAL OUTPUTS – Tx, FLTb, CLKOUT | | | | | | |
| Output Low Voltage | V_{OL} | $I_{SINK} = 2mA$ | | | 0.4 | V |
| CLKOUT High Voltage | V_{OH} | $I_{SRC} = 2mA$ | $V_{DD} - 0.4$ | | | V |
| THERMAL SHUTDOWN | | | | | | |
| Thermal Warning Threshold | TH_WARN | Rising temperature | | 140 | | $^{\circ}C$ |
| Thermal Warning Hysteresis | | | | 15 | | $^{\circ}C$ |
| Thermal Shutdown | TH_SHDN | Rising temperature | | 165 | | $^{\circ}C$ |
| Thermal Shutdown Hysteresis | HYS_SHDN | | | 15 | | $^{\circ}C$ |
| CHARGE PUMP | | | | | | |
| Charge-Pump Frequency | f_{CPP} | | | 16.384 | | MHz |
| Charge-Pump Output Voltage | V_O | $V_{CPP} - V_{CPN}$, $I_{CPP} = 350\mu A$ | 3.7 | | 6.0 | V |
| Charge-Pump Power-Good Threshold | V_{CPP_OK} | Rising threshold | | 4.0 | | V |
| UART TIMING | | | | | | |
| UART Write Bit Rate | F_{UART} | MAX25608/MAX25608B/MAX25608C | 10 | | 950 | kbps |
| UART Read Bit Rate | F_{UART} | MAX25608/MAX25608C | 10 | | 950 | kbps |
| UART Read Bit Rate | F_{UART} | MAX25608B | 10 | | 580 | kbps |

Note 1: The MAX25608/MAX25608B/C is designed for continuous operation up to $T_J = +125^{\circ}C$ for 95,000 hours and $T_J = +150^{\circ}C$ for 5000 hours.

Pin Configuration

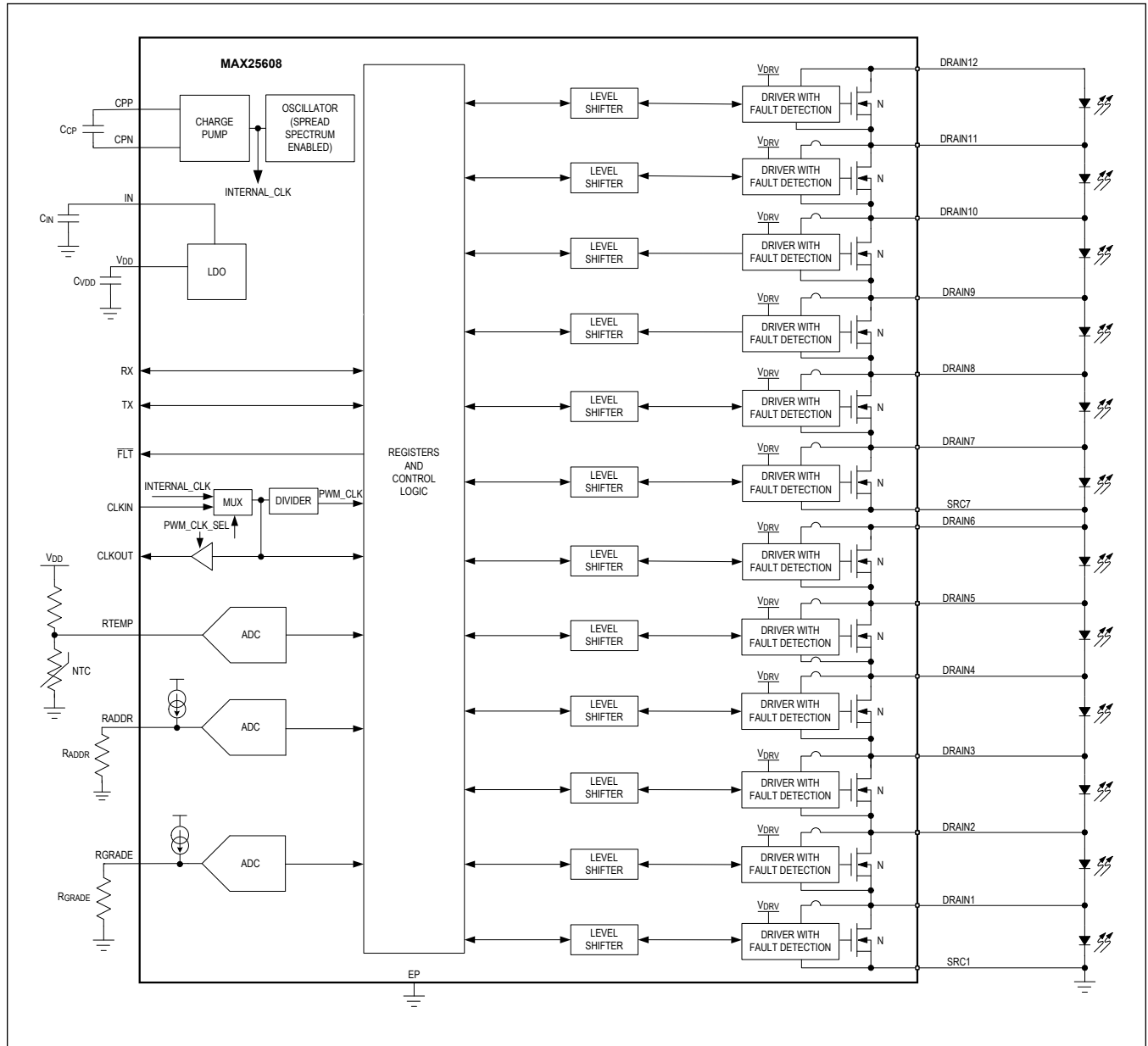


Pin Description

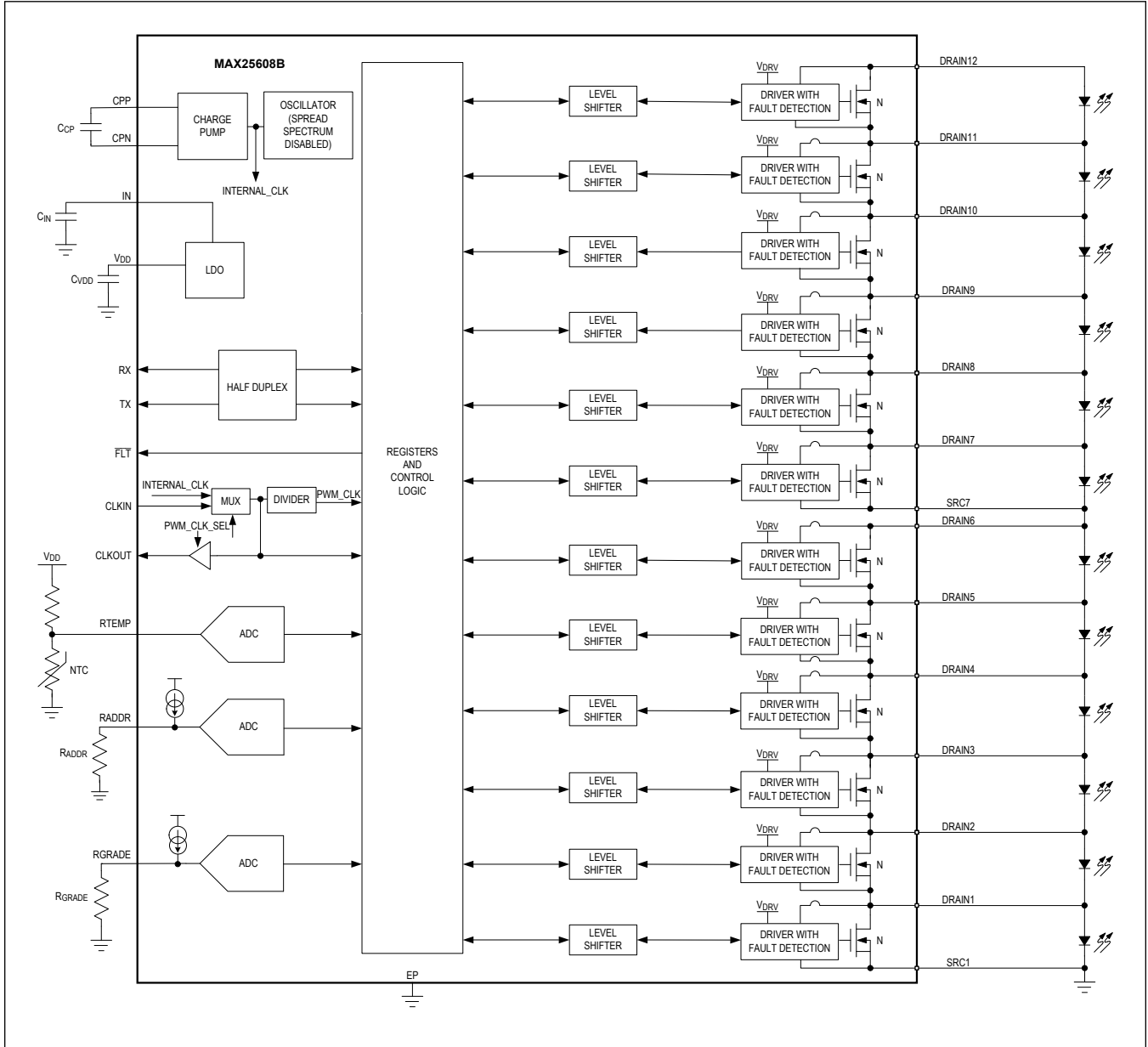
| PIN | NAME | FUNCTION |
|-------|-----------------|---|
| 1 | RADDR | Device ID Resistor. Connect a resistor value from RADDR to GND to set the UART Device ID. |
| 2 | RGRADE | LED Binning Resistor Connection. Connect a LED binning resistor from this pin to GND. |
| 3, 26 | RX | UART Receive Input. If the driver to this pin is CMOS output, no pull-up resistor is needed. If the driver to this pin is open drain, add a 1.5k Ω pull-up resistor. |
| 4, 25 | TX | UART Transmit Output. Add a 1.5k Ω pull-up resistor. |
| 5 | CLKIN | CLK Input. Can be optionally used to sync the device with an external digital clock signal. |
| 6 | RTEMP | NTC Divider ADC Input. Connect to NTC resistor divider to enable remote temperature sensing. |
| 7 | V _{DD} | LDO Output. Nominal voltage is 1.8V. Connect a bypass capacitor between V _{DD} and GND. |
| 8 | DR12 | Drain of Internal Switch 12. Add a 0.1 μ F capacitor from DR12 to GND. |
| 9 | DR11 | Drain of Internal Switch 11. |
| 10 | DR10 | Drain of Internal Switch 10. |
| 11 | DR9 | Drain of Internal Switch 9. |
| 12 | DR8 | Drain of Internal Switch 8. |
| 13 | DR7 | Drain of Internal Switch 7. |
| 14 | SRC7 | Source of Internal Switch 7. |
| 15 | DR6 | Drain of Internal Switch 6. For two-string applications, connect a 0.1 μ F ceramic capacitor from DR6 to GND. |
| 16 | DR5 | Drain of Internal Switch 5. |
| 17 | DR4 | Drain of Internal Switch 4. |
| 18 | DR3 | Drain of Internal Switch 3. |
| 19 | DR2 | Drain of Internal Switch 2. |
| 20 | DR1 | Drain of Internal Switch 1. |
| 21 | SRC1 | Source of Internal Switch 1. |
| 22 | CPP | Charge Pump Capacitor Positive Connection. Connect a 0.1 μ F ceramic capacitor from CPP to CPN. |
| 23 | CPN | Charge Pump Capacitor Negative Connection. Connect a 0.1 μ F from CPP to CPN. |
| 24 | CLKOUT | After startup, can be optionally configured with UART to drive a clock signal to other devices, or act as a pass-through for the CLKIN input. |
| 27 | FL \bar{T} | Open-Drain Fault Indicator. Goes low when a fault condition is present. |
| 28 | IN | Connect external bypass capacitor to GND. |
| — | EP/GND | Exposed Pad Ground Connection. Connect this pad to a contiguous ground plane. |

Functional Diagrams

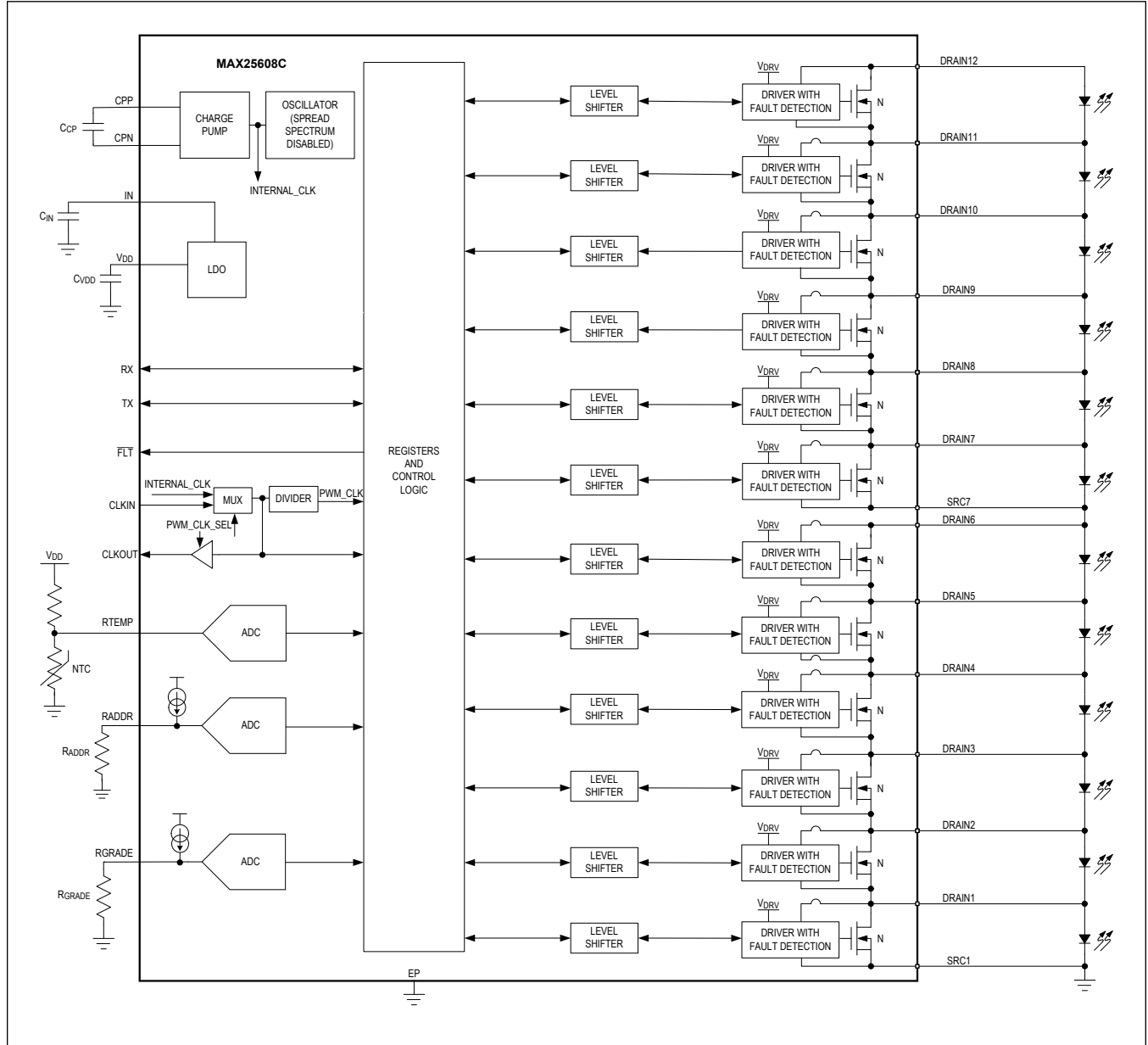
MAX25608 Block Diagram



MAX25608B Block Diagram



MAX25608C Block Diagram



Detailed Description

Power-on Reset and VDD_UVLO

Once the IC is powered, an internal power-on reset (POR) signal sets all the registers to their default states. All twelve switches are in the on state upon a POR (all LEDs are off). The LEDs remain off until a command is received by the UART. To ensure reliable operation, the IN supply voltage (V_{IN}) must be greater than V_{IN-POR} . If V_{IN} falls below V_{IN-POR} and the V_{DD} regulator output falls below V_{DD_UVLO} , the registers reset to their default state. The IN voltage must be greater than V_{IN-POR} and V_{DD} must be above V_{DD_UVLO} for proper operation. The bypass switches remain in their default on state until the UART is used to enable LED dimming.

Internal Switches

Each switch connected between $DRAIN_n$ and $DRAIN_{n-1}$ has a typical on-resistance of 0.06Ω . This measurement includes the on-resistance of the internal switch and the resistance of the bond wires to the $DRAIN_n$ and $DRAIN_{n-1}$ pads. Each bypass switch, when driven to an off state, allows the string current to flow through the corresponding parallel-connected LED, turning the LEDs on. Driving the bypass switch to an on state shunts the current through the bypass switch and turns the LEDs off. Each bypass switch can have one, two, or three LEDs in series across it.

Power-up Sequence

To avoid LED flash while turning ON the power in the system, proper power up sequence has to be followed. First, the matrix manager device MAX25608/MAX25608B/MAX25608C power must be applied. The device comes up with all the switches ON as soon as it is powered up. The bit SW_GO_EN in register SW_GO (0x01) is 0. The current source driving the LEDs should be enabled after that and so now the current will flow through the closed switches of the device and LEDs will not light up. After that, the required PWM duty cycle can be set up through the UART interface and then the SW_GO_EN is set to 1. This way, the LEDs light up with the required duty cycle.

When the device is running and if the LED current source is disconnected/broken for some reason, the LEDs can light up because of the bias currents flowing through the source/drain pins of the device. The total bias current seen can be close to $180\mu A$ on the bottom-most switch drain pin. To avoid the lighting up of the LEDs, $10k\Omega$ resistors can be added across the switches, if needed. This case of undesired LED lighting up can also be managed by setting the SW_GO_EN bit to 0 when there is a fault from the current source.

Spread Spectrum

The MAX25608 has spread spectrum turned on the charge pump oscillator clock for better EMI performance. The MAX25608B/C have spread spectrum turned off on the charge pump oscillator. The proprietary charge pump design gives a good EMI performance even without the spread spectrum option. Spread spectrum is internally turned OFF when a UART transaction happens. When an external clock is used, spread spectrum is used only for the charge pump in the spread-spectrum enabled device (MAX25608). PWM and UART use the external clock when the external clock is applied instead of internal clock. When an external clock is used, the clock frequency must be greater than 16x the UART baud rate frequency.

The MAX25608 device that has spread spectrum on may show flicker at a duty cycle of <5%. For <5% duty cycle applications with full duplex UART communication, use the MAX25608C to avoid flicker.

Programming Options

Pin Resistor Decode Table

Multiple devices can be used in a multidrop UART bus with an external μC acting as the controller. The resistor on RADDR is used to program the UART device ID.

Table 1. Device ID Table

| DECODED VALUE OF RADDR RESISTOR | DEVICE ID |
|---------------------------------|-----------|
| 0x0 | 0x0 |

Table 1. Device ID Table (continued)

| DECODED VALUE OF RADDR RESISTOR | DEVICE ID |
|---------------------------------|-----------|
| 0x1 | 0x1 |
| ... | ... |
| 0xF | 0xF |

Resistor Programming Table

A resistor connected between pins RADDR and GND is used to configure the device ID, and the resistor connected between pins RGRADE and GND is used for LED binning. The IC provides 16 levels of detection between 0 and 1.2V on RADDR/RGRADE pins. The pins source 400 μ A, allowing the use of an external resistor between RADDR/RGRADE and GND to set the voltage level. See [Table 2](#) for recommended RGRADE/RADDR resistor values.

Table 2. RADDR/RGRADE Recommended Values

| RGRADE/RADDR[3:0] DECODE VALUE | RGRADE/RADDR RESISTOR VALUE (Ω , 1%) |
|--------------------------------|--|
| 0000 | 95 |
| 0001 | 200 |
| 0010 | 309 |
| 0011 | 422 |
| 0100 | 536 |
| 0101 | 649 |
| 0110 | 768 |
| 0111 | 909 |
| 1000 | 1050 |
| 1001 | 1210 |
| 1010 | 1400 |
| 1011 | 1620 |
| 1100 | 1870 |
| 1101 | 2150 |
| 1110 | 2490 |
| 1111 | 2870 |

PWM Dimming

The IC provides 12-bit programmable dimming on each individual switch. An internal 12-bit counter (COUNT) is generated according to the clock settings. The switch turns off when COUNT is equal to the delay set by the corresponding PSFT register and stays off until the COUNT exceeds the sum of PSFT and PWM duty-control registers. In this way, the duty cycle and relative phase shift of the individual switches can be set independently (see [Figure 1](#)).

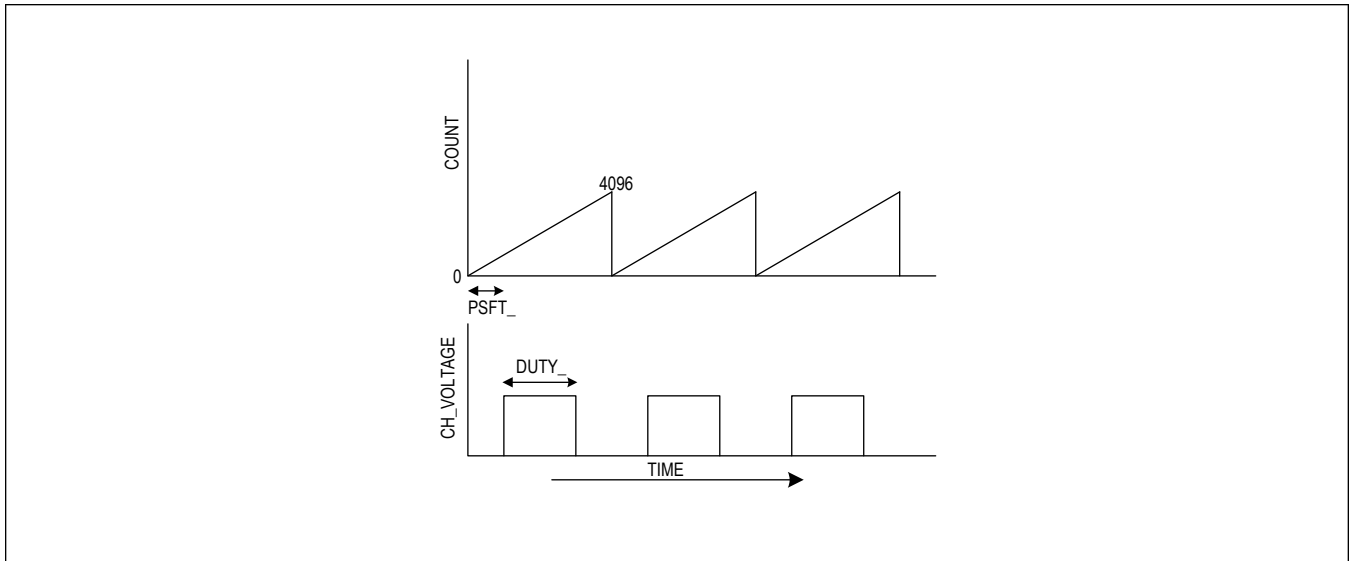


Figure 1. PWM Dimming

PWM Clock and Synchronous Operation with Multiple Devices

The PWM clock for the IC can be selected from the internal oscillator or from an external clock source driving the CLKIN pin. When an external clock is applied, the PWM generation and the UART communication uses this external clock. The CLKOUT pin can be configured to pass either the CLKIN or the internal oscillator as an output to other devices. In this manner, a single clock signal can be used to synchronize all devices. The PWM clock source and CLKIN/CLKOUT function are configured through PWM_CLK[1:0] in the CNFG_GEN (0x02) register. The default value is from the internal oscillator with the CLKIN and CLKOUT disabled. When the part is configured for external clock and if the external clock is missing, the part automatically switches to the internal clock.

PWM dimming frequency is programmable by setting the value of the DIV[1:0] bits in the CNFG_GEN (0x02) register, which sets the divide ratio for both the internal (16.38MHz) and external clock sources. Note that if a different external clock source is used, the PWM frequency will scale as a ratio of internal (16.38MHz) to external clock frequency for a fixed frequency divider value.

Synchronized operation with multiple devices is achieved through the following steps:

1. Set the SW_GO_EN bit to 0.
2. Select the controller device based on the resistor on RADDR pin and set the PWM_CLK[1:0] bits in the CNFG_GEN (0x02) register to use the internal oscillator and CLKOUT active.
3. Select the peripheral devices individually based on the resistor on RADDR pin and set the PWM_CLK[1:0] bits in the CNFG_GEN (0x02) register to keep the CLKIN and CLKOUT active. Connect the CLKOUT of the controller device to the CLKIN of the first peripheral device and the CLKOUT of the first peripheral device to the CLKIN of the 2nd peripheral device and so on.
4. Use the Global write command to set the SW_GO_EN bit to 1. All the PWM clocks of the devices will be synchronized now.

Dimming With and Without Fade

Each switch of the IC can be independently programmed to perform dimming without fade transition or dimming with fade transition. For dimming without fade transition, the dimming changes from the initial value to the target value in one dimming cycle. For dimming with fade transition, the dimming changes transitionally step by step, starting from the initial value to the target value in multiple dimming cycles, following a predetermined exponential curve.

To enable dimming with fade transition, set the FADE bit to 1 and the DUTY bits to the target value for the specific switches. Each transitional step value is calculated using 12 bits according to the following formula:

$$DUTY_{next} = DUTY_{now} \times CF$$

where DUTY is the duty cycle, and CF the constant factor.

CF = 1.0625 and CF = 0.9375 for an up transition and down transition, respectively.

DUTY_{next} continues to be updated according to the formula until DUTY_{next} reaches the target value.

The transition period is defined by the TDIM_ register for the switch. The number of transitional steps depends on the distance between the initial value and the target value. The maximum number of transitional steps from 1/(8,191) to 8,191/(8,191) is 115 steps. See [Figure 2](#) for the up-transition curve.

The number of transitional steps depends on the distance between the initial value and the target value. The maximum number of transitional steps from 8,191/(8,191) to 1/(8,191) is 111 steps. See [Figure 3](#) for the down-transition curve.

Duty-cycle steps smaller than CF update in one step.

Each step runs TDIM_ PWM dimming cycles, and each dimming cycle consists of 8,192 clock cycles by default, therefore $t_{STEP} = TDIM_ \times 8,192$. The 8,192 clock cycles timer can also be changed to 16,384, 32,768, or 65,536 clock cycles by programming bits [3:2] in register address 0x02.

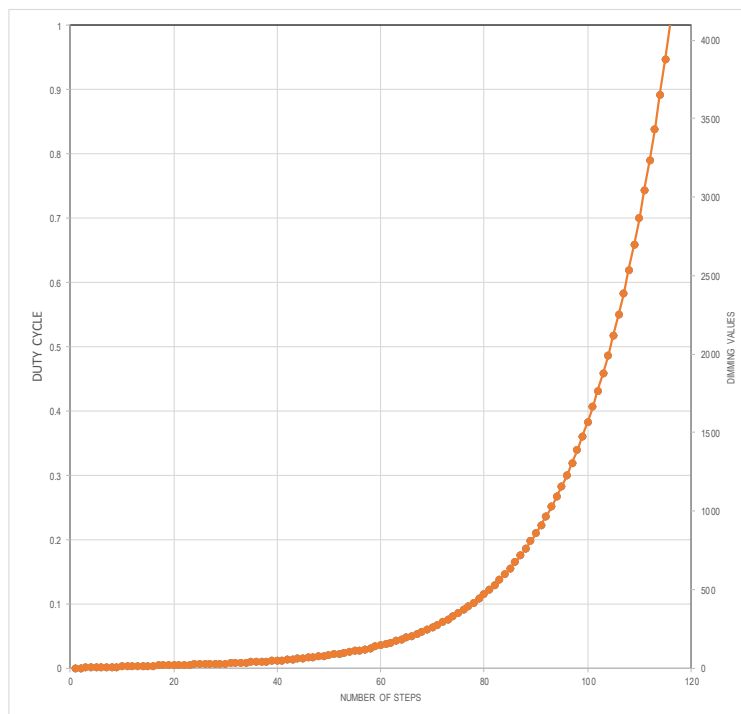


Figure 2. Up-Transition Curve

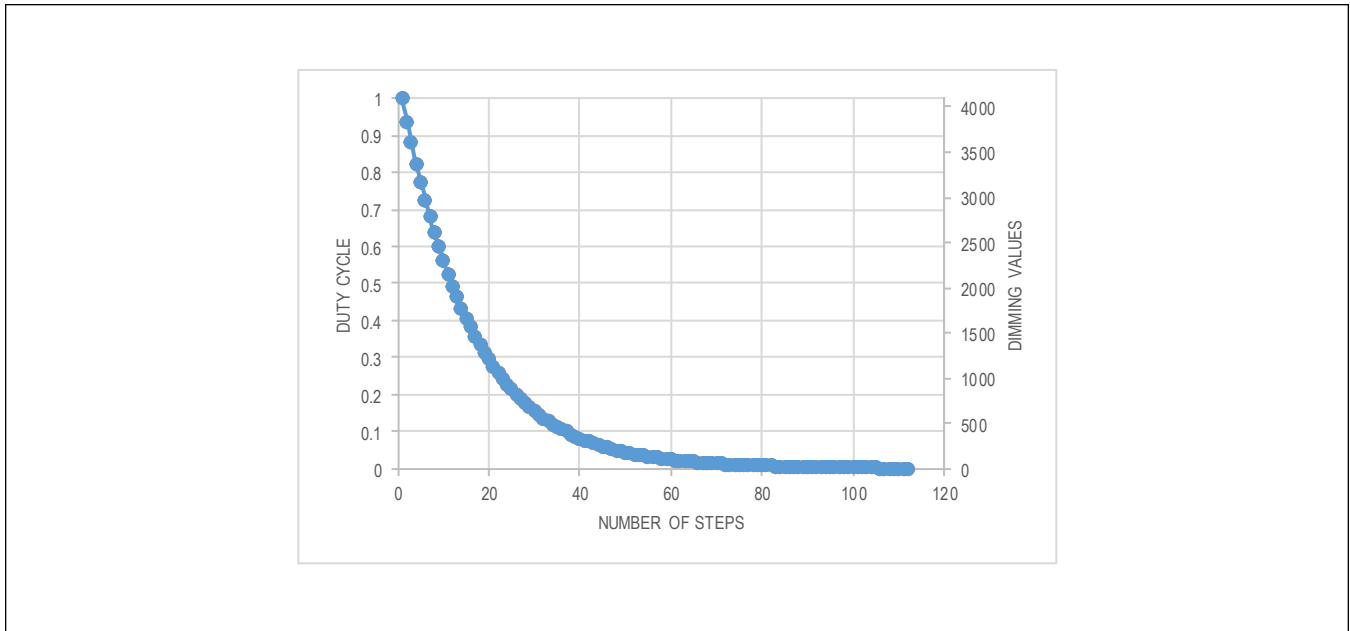


Figure 3. Down-Transition Curve

RTEMP

The RTEMP pin is an auxiliary 8-bit ADC input that is suitable for use with an external NTC resistive divider for monitoring external temperature. In this way, a remote NTC resistor can be used to monitor the external LED temperature for current derating and system monitoring. The 8-bit code is updated with a period of 200 microseconds and can be read back using the UART RTEMP register (0x15).

Fault Pin Behaviour

The $\overline{\text{FLT}}$ pin will assert whenever one or more of these conditions is present:

- One or more floating domain gate drivers have detected an open-LED fault; in this case, the switch(es) with Open LED faults remain closed until the power is reset
- One or more floating domain gate drivers have detected a short-LED fault condition
- Thermal warning/shutdown
- RGRADE pin is open, shorted to ground, or out of range
- UART errors happen

LED Fault Detection and Protection

The IC is able to detect a shorted LED and an open LED. To detect and report a LED fault, several conditions must be met. First, the LED switch must be operating, then the duty cycle must be greater than 0 since both LED-open and LED-short detection require the switch to be open. Open-fault detection is possible with a PWM duty cycle of 100% and short detection is not possible with 100% PWM duty cycle. In general, it takes up to one dimming cycle to make sure these conditions have been met after a fault condition is applied. This period depends on the PWM dimming frequency.

LED Open-Fault Detection and Protection

An open-LED fault is triggered when the voltage between the individual LED switch DRAIN node and switch SOURCE node exceeds V_{OTH} and is reported in register OPEN_LED_STAT (0x13). The switch is closed when an open-LED is detected and remains closed. By default, the open fault results in the $\overline{\text{FLT}}$ pin being driven low; however, open faults can be masked by writing 0b1 to the MSK_OPEN_LED bit in the CNFG_MSK (0x0C) register. If an open-LED fault is detected multiple times, it is recommended that the OPEN_LED_OVRD (0x09) register be updated to force the corresponding LED switch to remain closed continuously to provide a bypass for the faulty LED.

LED Short Detection

A short-LED fault is triggered when the voltage between the switch DRAIN node and the switch SOURCE node is below V_{STH} for an open switch condition, and is reported in the SHRT_LED_STAT (0x12) register. The LED short comparator is sampled at the end of each LED pulse to avoid false detections during the beginning of the pulse. No action is taken with the switch in response to detecting a short-LED fault, thus continuing to operate as programmed. The short fault, by default, results in FLT being driven low; however, short faults can be masked by writing 0b1 to MSK_SHRT_LED in the CFG_MSK (0x0C) register.

The Low Duty Threshold register (0x16) is used to filter out LED fault signals during short duty cycles when the voltage across the switch might not settle to a final value, causing an invalid detection of the Short LED condition. When the DUTY register of a switch is less than LOW_DUTY_TH, the SHORT_LED signal is masked and SHORT_LED_STAT is not asserted for that switch.

Unused Switches and Pins

If some of the switches in the IC are unused, it is recommended to SHORT the switches on the PCB board. All of the faults associated with these unused switches should be masked using the appropriate bits in CNFG_MSK_LED.

If the RTEMP/RGRADE pin is unused, connect it to ground.

The CLKIN pin should be grounded, except for the applications when it is needed to synchronize to an external clock.

The CLKOUT pin should be left floating if the part is used independently. For applications with more than one part, see the [PWM Clock and Synchronous Operation with Multiple Devices](#) section.

Thermal Shutdown

The IC features an on-chip temperature-protection circuit to prevent the device from overheating.

When the die temperature rises above the thermal-warning threshold (+140°C), the TH_WARN bit is set, causing the FLT pin to be asserted but no action taken with the switches. If asserted, the FLT pin remains asserted until the die temperature drops below the thermal-warning threshold, and the TH_WARN register bit is cleared by writing a 1. To clear the TH_WARN bit, the die temperature must be below the thermal-warning threshold. The UART communication works as usual when the part hits thermal warning threshold.

When the die temperature rises above the thermal-shutdown threshold (+160°C), the TH_SHDN bit in STAT_GEN register (0x10) is set, causing the FLT pin to be asserted and all switches to either be closed (LEDs turned off) or opened (LEDs turned on), depending on the value of the TH_SHDN_ACT bit in CNFG_MSK_GEN (0x0C) register. The UART communication is active but the switches remain either open or closed till the thermal shutdown hysteresis level is reached. When the device recovers from thermal shutdown, it resumes operation from where it was before the thermal shutdown. The FLT pin remains asserted until the die temperature drops below the thermal-warning threshold, and both the TH_WARN and TH_SHDN bits are cleared in the STAT_GEN (0x10) register by writing 1 to both bits. The TH_WARN and TH_SHDN status bits are cleared on write.

UART Serial Interface

Overview

The MAX25608/MAX25608C include a full-duplex UART serial interface and the MAX25608B includes a half-duplex (supports CAN physical layer) UART serial interface to enable fully programmable matrix manager functionality. The system ECU/MCU acts as the UART controller, driving read/write packets on the Rx line and receiving packets on the Tx line. The Rx and Tx lines can connect up to 16 devices on a common bus using a star topology. The device address of each IC is pin-programmable using an external resistor to ground on the RADDR pin. Devices can be addressed individually using their Device ID[3:0]. They can also be simultaneously addressed using the General Call ID or by using the programmable Cluster Call ID value.

The baud rate of incoming UART packets on Rx is automatically detected by the device, from a minimum of 10kbps up to a maximum of 950kbps. The device then returns frames on the Tx line at the same baud rate, according to the packet format described in the [UART Frame Format](#) section.

Device Connections

The UART interface ensures compatibility with standard microcontrollers from a variety of manufacturers. The MAX25608B also enables the use of CAN transceivers for applications where the matrix manager is remote from the microcontroller. The Rx line should be driven by the microcontroller controller. It can be connected to an individual device or to multiple devices in a star topology. The Tx line is an open-drain output. Multiple devices can share the same Tx connection as well. No external timing reference is required, the device automatically detects the bit rate on each Rx packet and adjusts the bit rate of the Tx response accordingly.

UART Packet Format

The MAX25608/MAX25608C features full-duplex UART communication capabilities—it is able to send and receive data at the same time. Read and write packets can be sent back to back with a minimum delay of at least one bit period between each packet as shown in [Figure 4](#). This format should also be followed for global/cluster commands for the MAX25608B. The 1-bit length delay is not needed if using two stop bits.

Spacing of one stop bit (1-bit length) between packets is needed.

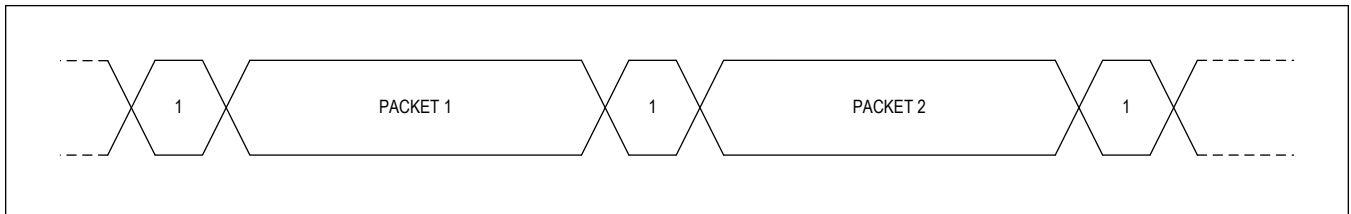


Figure 4. Back-to-Back Write/Read Packets for MAX25608/MAX25608C

For the MAX25608B version, if using individual write or read commands, the next message may be sent only after the response frames have concluded and after a delay of 1-bit length. This means that for an individual write command, the next message may be sent after the ACK frame has concluded and after a 1-bit length delay, while for a read command, the next message may be sent after the three response frames have been sent and a 1-bit delay length. This format is illustrated in [Figure 5](#) and [Figure 6](#).

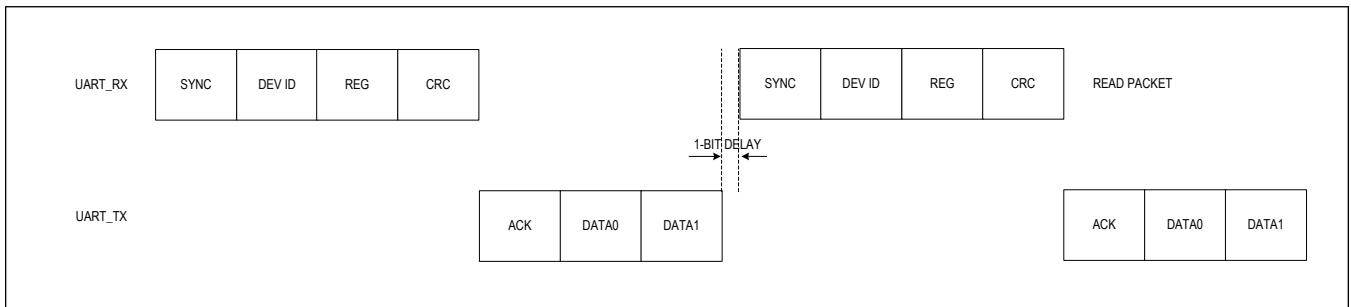


Figure 5. Back-to-Back Read Packet Format for MAX25608B

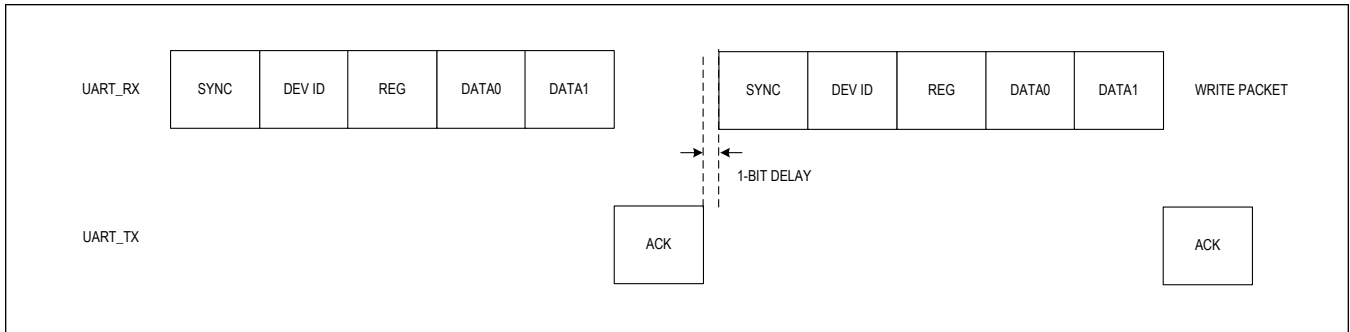


Figure 6. Back-to-Back Write Packet Format for MAX25608B

UART Frame and Interframe Format

Read/write packets are composed from multiple UART frames. Each frame consists of one start bit, eight data bits, one parity bit (even), and two stop bits. The parity bit will be high if the number of ones in the data bits is odd, otherwise it will be low.

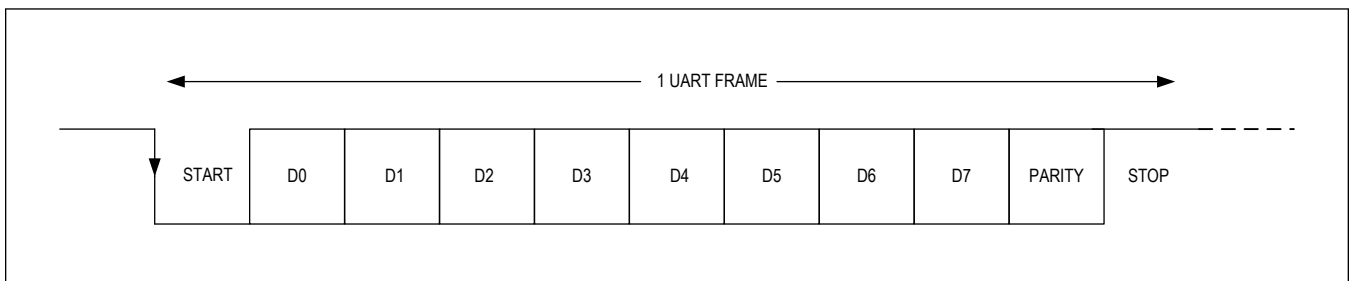


Figure 7. Frame Format

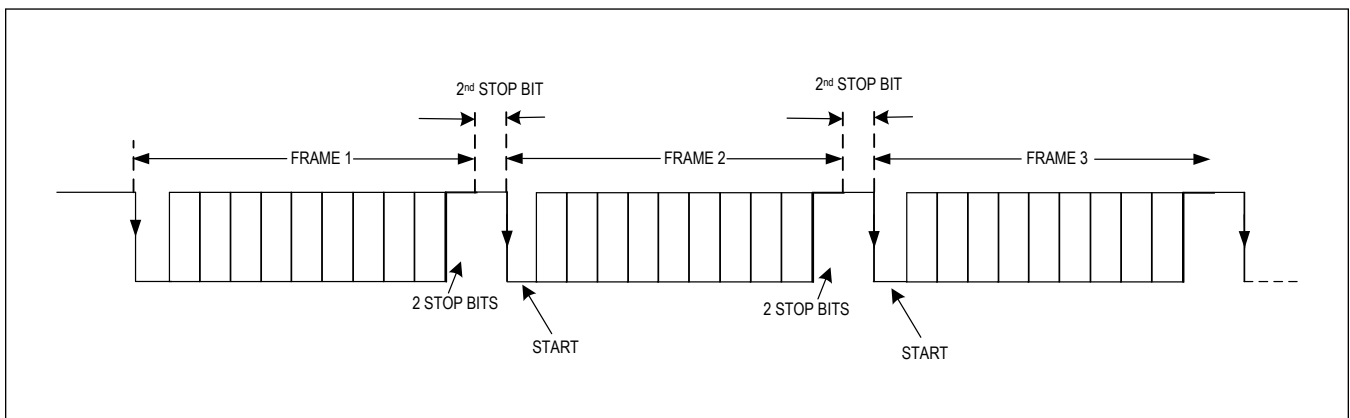


Figure 8. Interframe Format

Between frames, there should be no delay between the second STOP bit and the start of the next frame START bit. If there is a delay between second STOP bit and the start of the next frame START bit, the delay should not exceed 0.5x the bit length minus 350ns. For example, if the baud rate is 950kbs, the delay should not exceed 176ns, and for a baud rate of 500kpbs the delay should not exceed 650ns. If these conditions are violated, a bit-sampling error may occur. This will result in a failure to ACK and an assertion of one or more of the following STAT_UART bits: RX_CRC_ERR, RX_PL_PERR, RX_PL_STOP_ERR.

Rx Rise and Fall Times

When the Rx line is driving many of the devices (16x maximum devices can be connected), the capacitive loading on the Rx line becomes high, causing the rise and fall times to become longer. As shown in [Figure 9](#), the Rx bit length generated inside the part is different than the real Rx bit length. If the difference between TR and TF starts to become longer than 30ns, the device will extract a slower baud rate. If longer rise and fall times cannot be avoided, a lower baud rate may be selected, or a buffer may be used to reduce the rise and fall times.

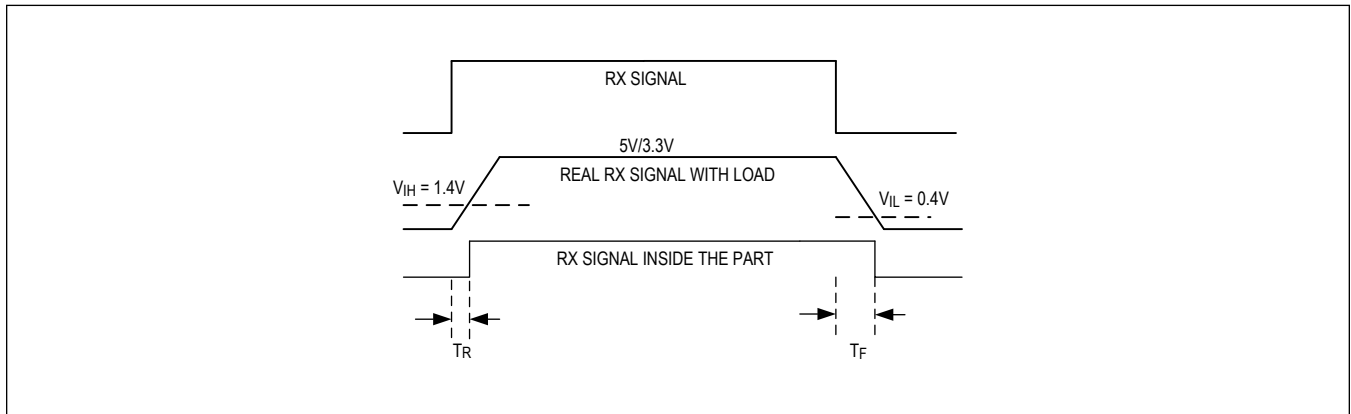


Figure 9. Rx Rise Time and Fall Time

Synchronization and Acknowledge Frames

Each read/write packet must begin with a special Synchronization (SYNC) frame. This is a UART frame containing the data x79. The device synchronizes to the baud rate starting with the start bit of the SYNC frame. Once the falling edge of the start bit is detected, an internal frame counter is started. This counter counts the number of system clocks throughout the SYNC frame. Once the rising edge of D0 is detected, a second level counter starts and counts the number of system clocks until the next level shift. Once the system detects the falling edge of D0, the level counter is compared to one half of the frame counter. The level counter gets reset on the falling edge of D0, and the number of clocks from D1 to the rising edge of D3 are counted. Once the rising edge of D3 is detected, the system compares the level counter again to one half of the frame counter. This process is then repeated a third time for bits D3 through D6. The level counter and half of the frame counter are compared a third time. If all three comparisons are positive, the SYNC frame is accepted as valid, and the baud rate is determined as the frame counter divided by 8. When an external clock source is used, the clock frequency has to be 16x higher than the highest baud rate used for proper extraction of baud rate.

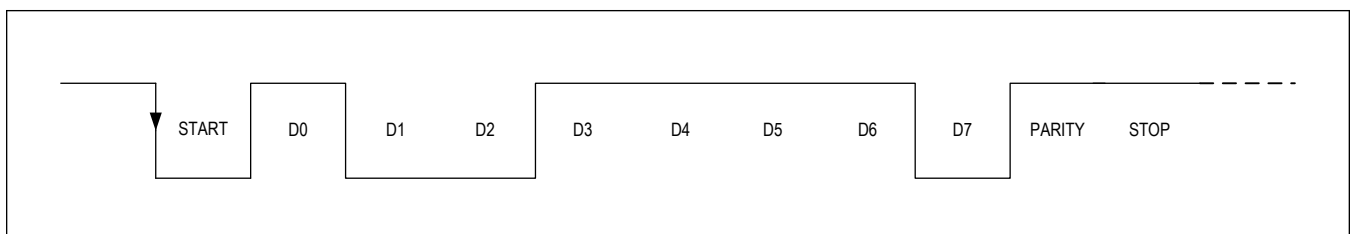


Figure 10. SYNC Frame

Each response packet always begins with a special Acknowledge (ACK) frame. This is a UART frame containing the data xC3.



Figure 11. ACK Frame

Device ID and Address Frame Format

Each device in the star configuration should be assigned a unique device ID number using the resistor connected to the RADDR pin. There are 16 possible device IDs that can be assigned in this way, from x00 to x0F (see [Table 2](#)).

In addition to addressing devices individually, the device also supports Global Call and Cluster Call write commands. A Global write command addresses all devices on the bus. A Cluster call addresses all devices with a matching cluster call ID in the CNFG_UART register. To perform a Cluster call, first an individual write transaction must occur to assign a Cluster ID (CID) to a particular device (see [CNFG_UART \(0x07\)](#)). After each device of interest is given a CID, a Cluster call may be performed by setting the Global/Cluster bit to 1, setting the R/W bit to 0, and writing the 6-bit CID. Data can then be written to all devices with a matching CID. To perform a Global call, set the Global/Cluster bit to 1, the R/W bit to 0, and the address bits to 0x00. This will address all devices on the bus. When performing a Global/Cluster call, the device will not respond with an ACK frame. Back-to-back Global/Cluster call write packets with a 1-bit length delay can be sent with the MAX25608B device. Read commands cannot use the Global/Cluster Call option and must be addressed to a specific device ID.

The address frame data bits are assigned as follows: the MSB is the Global/Cluster call bit, the next 6 bits are the device ID, and the LSB is the Read/Write bit.

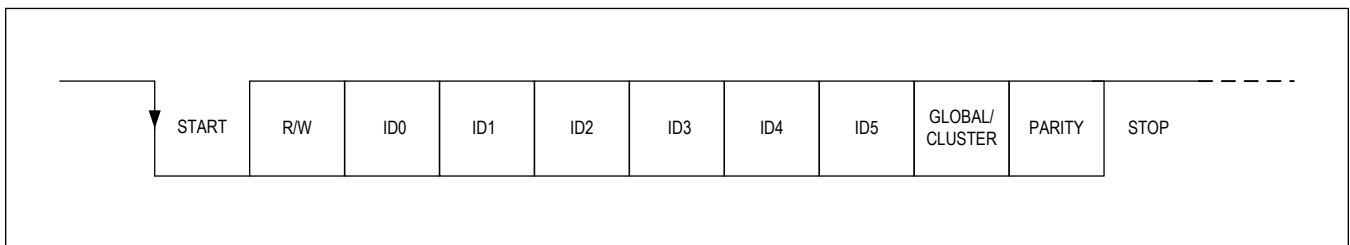


Figure 12. Device ID and Address Frame

Write Transactions

Each write packet consists of five UART frames on the Rx pin. The first frame is the SYNC frame. The second frame consists of the Global/Cluster call flag, then the 6-bit device ID, and then the R/W bit. The R/W bit is low for a write command. The third frame is the register of the address being written to. The fourth frame is the lower byte of the data being written. The fifth and final frame includes the upper 5 bits of the data being written along with the 3-bit CRC code. Upon receiving a valid write packet, the device responds with an ACK frame on the Tx pin for an individual write.

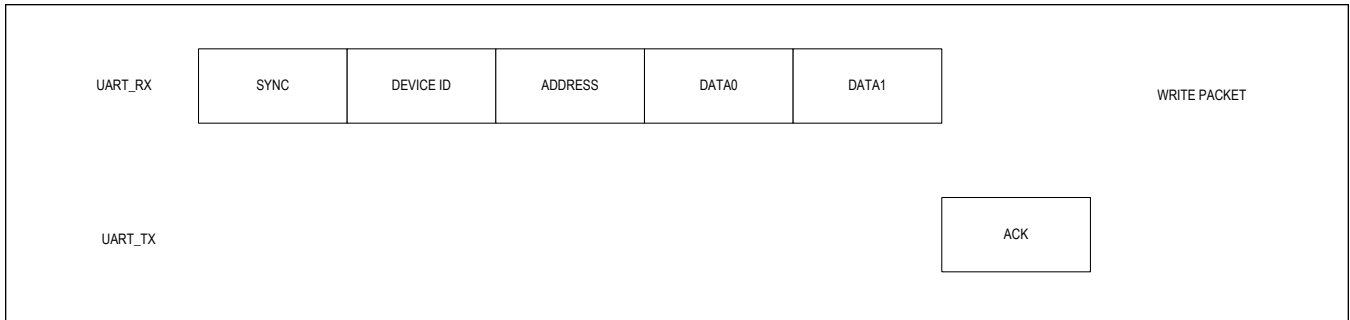


Figure 13. Write Packet

Read Transactions

Each read command consists of four UART frames on the Rx pin. The first frame is the SYNC frame. The second frame consists of the Global/Cluster call bit set low, then the 6-bit device ID, and then the R/W bit set high. The third frame is the register address being written to, which is set by the RADDR value. The fourth and final frame includes the 3-bit CRC code, with the remaining 5 data bits set to 0. Upon receiving a valid read command, the device responds with three frames on the Tx pin. The first frame is the ACK frame. The second frame is the lower 8 data bits of the register being read. The third frame is the 3-bit CRC code, followed by the 5 MSBs of the register being read.

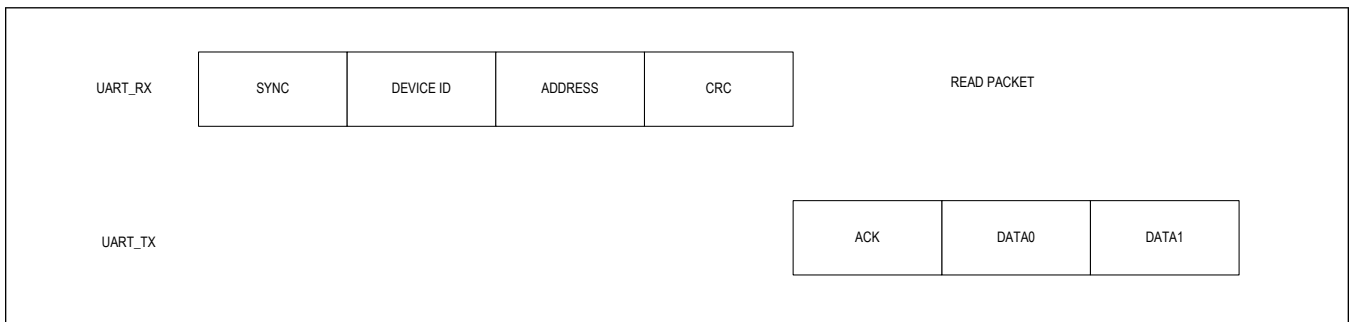


Figure 14. Read Packet

CRC Error Checking

Read/Write transactions are protected using a 3-bit cyclic redundancy check (CRC) on the packet. The CRC is provided by the controller on last 3 data bits of each UART_RX packet. For a write transaction, the CRC is calculated using: the 6 data bits of the second frame along with the Global/Cluster bit and the R/W bit, the data byte of the third frame, the data byte of the fourth frame, and the 5 data bits of the fifth frame for a write transaction. For a read transaction, the same process is followed, excluding the fifth frame of data as it is not included during a read transaction. Concerning the calculation of the CRC itself, the 3 bits to be appended are calculated using the LSB of each frame first in a descending order. Meaning that, starting with the second frame, the CRC is calculated starting with the LSB of the data bits of the frame, then moves on to the third, and then stops at the fourth (for a read transaction) or at the fifth (for a write transaction). For response frames on read packets, the device appends its own 3-bit CRC code to the 13-bit read data using the same polynomial.

The CRC calculation uses the polynomial $x^3 + x^1 + 1$ with a starting value of 000.

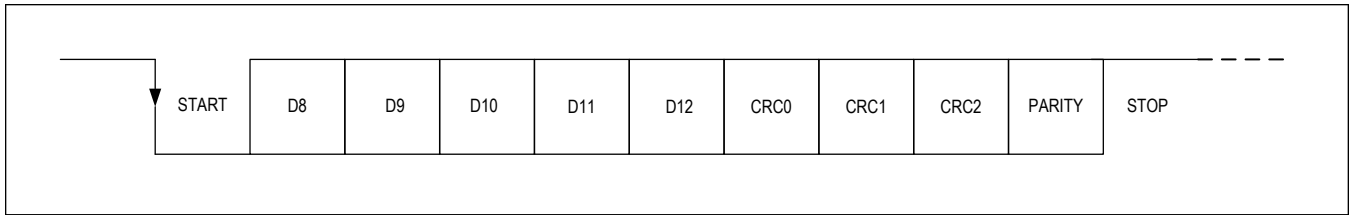


Figure 15. Final Frame

The final frame contains the upper 5 bits of data and the 3 CRC bits.

UART Watchdog Function

The device UART Watchdog feature sets the switches into a preconfigured state in the event of UART communication bus failures. If the `CNFG_WATCHDOG` bits are set to a nonzero value set, the device asserts a `UART_WATCHDOG` fault when the `UART_RX` pin has been inactive for more than the time set by the `CNFG_WATCHDOG` bits. For lower baud rate applications, the watchdog timer should be configured to be longer than the spacing between the packets. The watchdog timer begins counting when there is no communication on the Rx line, including the space needed between the packets for the MAX25608B. When the `UART_WATCHDOG` fault is set, the `FLT` output is asserted low, and the state of the channel switches is set to the value of the `WD_LED_STATE` register. The default value of `WD_LED_STATE` is `x00`, which opens all 12 switches in the event of a watchdog fault. The fault can be masked by setting the `MSK_UART_ERR` bit in the `CNFG_MASK_GEN` register. The fault status is cleared by writing a 1 to the `UART_WATCHDOG` bit. When the fault status is cleared, the switches resume operation according to the values of the PWM registers.

UART Communication Error Handling

In the event that there is an error in communication on `UART_RX`, it asserts the relevant fault status bit in `STAT_UART` (x11) and asserts the `FLT` output. The UART communications faults can be masked by setting the `MSK_UART_ERR` bit. Faults are cleared by writing 1 to the `STAT_UART` bits. The following communications errors result in fault assertion:

- `UART Watchdog Timeout`: `UART_RX` stops transitioning for more than the time set by the `CNFG_WATCHDOG` bits in the `CNFG_UART` register.
- `RX_TIMEOUT_ERR`: If there is no communication on the Rx line for more than a 16-bit length between frames, this bit will be asserted. If a watchdog timer is set by `CNFG_UART`, the part will enter into the default LED state set by `CNFG_WATCHDOG`. Write a 1 to clear this fault to continue normal communication.
- `RX_CRC_ERR`: Invalid CRC code detected on a UART transaction.
- `RX_SYNC_PERR`: Parity error in the SYNC frame
- `RX_PL_PERR`: Parity error in the payload frame
- `RX_SYNC_STOP_ERR`: Rx SYNC frame stop bit error.
- `RX_PL_STOP_ERR`: Stop error bit detected in Rx data frames.
- `RX_PL_START_ERR`: Start error bit detected in Rx data frames.
- Delay between frames exceeds half of a bit length minus 350ns.

UART Timeout Conditions

Timeout is defined as a period of time where the device will not acknowledge any inputs from the Rx line. The following list shows what conditions will cause timeout to occur.

35ms Timeout:

- `RX_SYNC_PERR`
- `RX_SYNC_STOP`
- Incorrect SYNC frame

No Timeout:

- `RX_TIMEOUT_ERR`-- This error will cause the switches to go to the state set by the `WD_LED_STATE` bits in the `CNFG_WATCHDOG` register.
- `RX_PL_PERR`
- `RX_PL_START_ERR`

- RX_PL_STOP_ERR
- RX_CRC_ERR

Register Map

MAX25608/MAX25608B/MAX25608C

| ADDRESS | NAME | MSB | | | | | | | LSB |
|----------------------|--------------------------------------|--------------------|---------------|--------------|--------------|--------------------|-------------|--------------------|-------------|
| USER COMMANDS | | | | | | | | | |
| 0x00 | NO_OP[15:8] | | | | | REV_ID[4:0] | | | |
| | NO_OP[7:0] | - | - | - | | CONSTANT_TEST[4:0] | | | |
| 0x01 | SW_GO[15:8] | | | | - | - | - | - | - |
| | SW_GO[7:0] | - | - | - | - | - | - | - | SW_GO_EN |
| 0x02 | CNFG_GEN_1[15:8] | | | | - | - | - | - | VOTH[1] |
| | CNFG_GEN_1[7:0] | VOTH[0] | LED_SLEW[2:0] | | | DIV[1:0] | | PWM_CLK_SEL[1:0] | |
| 0x04 | CNFG_GEN_2[15:8] | | | | - | VSTH_4[2:0] | | | VSTH_3[2] |
| | CNFG_GEN_2[7:0] | VSTH_3[1:0] | | VSTH_2[2:0] | | VSTH_1[2:0] | | | |
| 0x05 | CNFG_GEN_3[15:8] | | | | - | VSTH_8[2:0] | | | VSTH_7[2] |
| | CNFG_GEN_3[7:0] | VSTH_7[1:0] | | VSTH_6[2:0] | | VSTH_5[2:0] | | | |
| 0x06 | CNFG_GEN_4[15:8] | | | | - | VSTH_12[2:0] | | | VSTH_11[2] |
| | CNFG_GEN_4[7:0] | VSTH_11[1:0] | | VSTH_10[2:0] | | VSTH_9[2:0] | | | |
| 0x07 | CNFG_UART[15:8] | | | | - | - | - | CNFG_WATCHDOG[3:2] | |
| | CNFG_UART[7:0] | CNFG_WATCHDOG[1:0] | | CID[5:0] | | | | | |
| 0x08 | CNFG_WATCHDOG[15:8] | | | | - | WD_LED_STATE[11:8] | | | |
| | CNFG_WATCHDOG[7:0] | WD_LED_STATE[7:0] | | | | | | | |
| 0x09 | CNFG_OPEN_OVRD[15:8] | | | | - | OPEN_LED_OVR[11:8] | | | |
| | CNFG_OPEN_OVRD[7:0] | OPEN_LED_OVR[7:0] | | | | | | | |
| 0x0A | CNFG_GROUPA[15:8] | | | | - | GROUPA_SEL[11:8] | | | |
| | CNFG_GROUPA[7:0] | GROUPA_SEL[7:0] | | | | | | | |
| 0x0B | CNFG_GROUPB[15:8] | | | | - | GROUPB_SEL[11:8] | | | |
| | CNFG_GROUPB[7:0] | GROUPB_SEL[7:0] | | | | | | | |
| 0x0C | CNFG_MSK_GEN[15:8] | | | | TH_SHDN_ACT | - | - | - | - |
| | CNFG_MSK_GEN[7:0] | - | MSK_UART_ERR | - | MSK_OPEN_LED | MSK_SHORT_LED | MSK_CPRDY_N | MSK_RALDC_ERR | MSK_TH_WARN |
| 0x0D | CNFG_MSK_LED[15:8] | | | | - | CNFG_MSK_LED[11:8] | | | |
| | CNFG_MSK_LED[7:0] | CNFG_MSK_LED[7:0] | | | | | | | |
| 0x0E | STAT_RADC[15:8] | | | | - | - | - | - | - |

| ADDRESS | NAME | MSB | | | | | | | | LSB |
|---------|--------------------------------------|------------------------|----------------|----------------------|----------------|------------------------------|-------------------------------|---------------------------|--|-----|
| | STAT_RADC[7:0] | - | - | - | RADC_D ONE | RADDR_ OVER_ RANGE | RGRAD E_ OVER_ RANGE | RADDR_ UNDER_ RANGE | RGRAD E_ UNDE R_ RANG E | |
| 0x0F | STAT_RES_CODE[15:8] | | | | - | - | - | - | - | |
| | STAT_RES_CODE[7:0] | DEV_ID[3:0] | | | RGRADE[3:0] | | | | | |
| 0x10 | STAT_GEN[15:8] | | | | - | - | OTP_CR C_ERR | CONFIG _NOT_D _ONE | RADC_E RR | |
| | STAT_GEN[7:0] | EXT_CL K_ERR | UART_E RR | - | OPEN_L ED | SHORT_ LED | CP_RDY _N | TH_SHD N | TH_WA RN | |
| 0x11 | STAT_UART[15:8] | | | | - | - | - | - | UART_ WATCH DOG | |
| | STAT_UART[7:0] | RX_TIM EOUT_E RR | RX_CRC _ERR | RX_SYN C_ PERR | RX_PL_ PERR | RX_SYN C_ STOP _ERR | RX_PL_ STOP_ ERR | RX_PL_ START_ ERR | - | |
| 0x12 | STAT_SHORT_LED[15:8] | | | | - | SHORT_LED_STAT[11:8] | | | | |
| | STAT_SHORT_LED[7:0] | SHORT_LED_STAT[7:0] | | | | | | | | |
| 0x13 | STAT_OPEN_LED[15:8] | | | | - | OPEN_LED_STAT[11:8] | | | | |
| | STAT_OPEN_LED[7:0] | OPEN_LED_STAT[7:0] | | | | | | | | |
| 0x15 | RTEMP[15:8] | | | | - | - | - | - | - | |
| | RTEMP[7:0] | RTEMP[7:0] | | | | | | | | |
| 0x16 | LOW_DUTY_TH[15:8] | | | | - | LOW_DUTY_TH[11:8] | | | | |
| | LOW_DUTY_TH[7:0] | LOW_DUTY_TH[7:0] | | | | | | | | |
| 0x20 | PSFT_GRP[15:8] | | | | - | - | - | PSFT_GROUP[1:0] | | |
| | PSFT_GRP[7:0] | PSFT[7:0] | | | | | | | | |
| 0x21 | PSFT_1[15:8] | | | | - | - | - | - | - | |
| | PSFT_1[7:0] | PSFT_1[7:0] | | | | | | | | |
| 0x22 | PSFT_2[15:8] | | | | - | - | - | - | - | |
| | PSFT_2[7:0] | PSFT_2[7:0] | | | | | | | | |
| 0x23 | PSFT_3[15:8] | | | | - | - | - | - | - | |
| | PSFT_3[7:0] | PSFT_3[7:0] | | | | | | | | |
| 0x24 | PSFT_4[15:8] | | | | - | - | - | - | - | |
| | PSFT_4[7:0] | PSFT_4[7:0] | | | | | | | | |
| 0x25 | PSFT_5[15:8] | | | | - | - | - | - | - | |
| | PSFT_5[7:0] | PSFT_5[7:0] | | | | | | | | |
| 0x26 | PSFT_6[15:8] | | | | - | - | - | - | - | |
| | PSFT_6[7:0] | PSFT_6[7:0] | | | | | | | | |
| 0x27 | PSFT_7[15:8] | | | | - | - | - | - | - | |
| | PSFT_7[7:0] | PSFT_7[7:0] | | | | | | | | |
| 0x28 | PSFT_8[15:8] | | | | - | - | - | - | - | |

| ADDRESS | NAME | MSB | | | | | LSB |
|---------|--------------------------------------|-----|---|-----------------|--------|--|--------------|
| | PSFT_8[7:0] | | | | | | PSFT_8[7:0] |
| 0x29 | PSFT_9[15:8] | | | | | | - |
| | PSFT_9[7:0] | | | | | | PSFT_9[7:0] |
| 0x2A | PSFT_10[15:8] | | | | | | - |
| | PSFT_10[7:0] | | | | | | PSFT_10[7:0] |
| 0x2B | PSFT_11[15:8] | | | | | | - |
| | PSFT_11[7:0] | | | | | | PSFT_11[7:0] |
| 0x2C | PSFT_12[15:8] | | | | | | - |
| | PSFT_12[7:0] | | | | | | PSFT_12[7:0] |
| 0x30 | TDIM_GRP[15:8] | | | | | | - |
| | TDIM_GRP[7:0] | - | - | TDIM_GROUP[1:0] | | | TDIM[2:0] |
| 0x31 | TDIM_3_2_1[15:8] | | | | | | TDIM_3[2:0] |
| | TDIM_3_2_1[7:0] | - | | TDIM_2[2:0] | | | TDIM_1[2:0] |
| 0x32 | TDIM_6_5_4[15:8] | | | | | | TDIM_6[2:0] |
| | TDIM_6_5_4[7:0] | - | | TDIM_5[2:0] | | | TDIM_4[2:0] |
| 0x33 | TDIM_9_8_7[15:8] | | | | | | TDIM_9[2:0] |
| | TDIM_9_8_7[7:0] | - | | TDIM_8[2:0] | | | TDIM_7[2:0] |
| 0x34 | TDIM_12_11_10[15:8] | | | | | | TDIM_12[2:0] |
| | TDIM_12_11_10[7:0] | - | | TDIM_11[2:0] | | | TDIM_10[2:0] |
| 0x40 | PWM_GRP_A_DUTY[15:8] | | | | FADE_A | | DUTY_A[11:8] |
| | PWM_GRP_A_DUTY[7:0] | | | | | | DUTY_A[7:0] |
| 0x41 | PWM_GRP_B_DUTY[15:8] | | | | FADE_B | | DUTY_B[11:8] |
| | PWM_GRP_B_DUTY[7:0] | | | | | | DUTY_B[7:0] |
| 0x42 | PWM1[15:8] | | | | FADE_1 | | DUTY_1[11:8] |
| | PWM1[7:0] | | | | | | DUTY_1[7:0] |
| 0x43 | PWM2[15:8] | | | | FADE_2 | | DUTY_2[11:8] |
| | PWM2[7:0] | | | | | | DUTY_2[7:0] |
| 0x44 | PWM3[15:8] | | | | FADE_3 | | DUTY_3[11:8] |
| | PWM3[7:0] | | | | | | DUTY_3[7:0] |
| 0x45 | PWM4[15:8] | | | | FADE_4 | | DUTY_4[11:8] |
| | PWM4[7:0] | | | | | | DUTY_4[7:0] |
| 0x46 | PWM5[15:8] | | | | FADE_5 | | DUTY_5[11:8] |
| | PWM5[7:0] | | | | | | DUTY_5[7:0] |
| 0x47 | PWM6[15:8] | | | | FADE_6 | | DUTY_6[11:8] |
| | PWM6[7:0] | | | | | | DUTY_6[7:0] |
| 0x48 | PWM7[15:8] | | | | FADE_7 | | DUTY_7[11:8] |
| | PWM7[7:0] | | | | | | DUTY_7[7:0] |
| 0x49 | PWM8[15:8] | | | | FADE_8 | | DUTY_8[11:8] |
| | PWM8[7:0] | | | | | | DUTY_8[7:0] |
| 0x4A | PWM9[15:8] | | | | FADE_9 | | DUTY_9[11:8] |

| ADDRESS | NAME | MSB | | | | | | LSB |
|---------|-----------------------------|-----|--|-------------|--|--|--|---------------|
| | PWM9[7:0] | | | | | | | DUTY_9[7:0] |
| 0x4B | PWM10[15:8] | | | FADE_1 0 | | | | DUTY_10[11:8] |
| | PWM10[7:0] | | | | | | | DUTY_10[7:0] |
| 0x4C | PWM11[15:8] | | | FADE_1 1 | | | | DUTY_11[11:8] |
| | PWM11[7:0] | | | | | | | DUTY_11[7:0] |
| 0x4D | PWM12[15:8] | | | FADE_1 2 | | | | DUTY_12[11:8] |
| | PWM12[7:0] | | | | | | | DUTY_12[7:0] |

Register Details

NO_OP (0x00)

NO_OP is a read-only register that reads the content of Revision ID and test pattern.

| BIT | | 12 | 11 | 10 | 9 | 8 |
|-------------|--|----|----|----|---|-------------|
| Field | | | | | | REV_ID[4:0] |
| Reset | | | | | | 0x1 |
| Access Type | | | | | | Read Only |

| BIT | 7 | 6 | 5 | 4 | 3 | 2 | 1 | 0 |
|-------------|---|---|---|---|---|---|---|--------------------|
| Field | - | - | - | | | | | CONSTANT_TEST[4:0] |
| Reset | - | - | - | | | | | 0b10001 |
| Access Type | - | - | - | | | | | Read Only |

| BITFIELD | BITS | DESCRIPTION |
|---------------|------|--|
| REV_ID | 12:8 | Revision Information: Reads back 5-bit hardware revision ID. |
| CONSTANT_TEST | 4:0 | Test Pattern: 0x11 is always returned in this location for interface checking. |

SW_GO (0x01)

SW_GO us a read/write register that enables the PWM signals.

| BIT | | 12 | 11 | 10 | 9 | 8 |
|-------------|--|----|----|----|---|---|
| Field | | - | - | - | - | - |
| Reset | | - | - | - | - | - |
| Access Type | | - | - | - | - | - |

| BIT | 7 | 6 | 5 | 4 | 3 | 2 | 1 | 0 |
|-------------|---|---|---|---|---|---|---|-------------|
| Field | - | - | - | - | - | - | - | SW_GO_EN |
| Reset | - | - | - | - | - | - | - | 0b0 |
| Access Type | - | - | - | - | - | - | - | Write, Read |

| BITFIELD | BITS | DESCRIPTION | DECODE |
|----------|------|---|--|
| SW_GO_EN | 0 | <p>Switching Enable signal. Enables LED dimming operation and starts dimming counters. If SW_GO_EN = 0, all LED switches are closed and all PWM counters in the LED Controller are reset to 0. If SW_GO_EN = 1, all LED switches operate according to their programmed values and all PWM counters start counting from 0.</p> <p>SW_GO_EN must be low in order to change any of the CNFG_GEN_1/2/3/4 registers. If SW_GO_EN is high, the configuration change does not complete.</p> <p>The SW_GO_EN command should be issued after CP_RDY_N transitions low on STAT_GEN, ensuring CLK is present and CPP voltage is valid.</p> | <p>0x0: All LED switches are closed, and all PWM counters are reset to 0.</p> <p>0x1: All LED switches operate according to their programmed values, and all PWM counters start counting from 0.</p> |

CNFG_GEN_1 (0x02)

CNFG_GEN_1 is a read/write access register that controls the dimming clock divider ratio, the slew rate of the LED switches, the threshold used for the Open LED fault-detection function, and the functionality of the CLK pin.

SW_GO_EN should be set low before changing any configuration registers.

| BIT | | | 12 | 11 | 10 | 9 | 8 | |
|-------------|-------------|---------------|----|----|-------------|---|------------------|---|
| Field | | | – | – | – | – | VOTH[1] | |
| Reset | | | – | – | – | – | | |
| Access Type | | | – | – | – | – | Write, Read | |
| BIT | 7 | 6 | 5 | 4 | 3 | 2 | 1 | 0 |
| Field | VOTH[0] | LED_SLEW[2:0] | | | DIV[1:0] | | PWM_CLK_SEL[1:0] | |
| Reset | | 0x7 | | | 0b00 | | 0b00 | |
| Access Type | Write, Read | Write, Read | | | Write, Read | | Write, Read | |

| BITFIELD | BITS | DESCRIPTION | DECODE |
|----------|------|--|--|
| VOTH | 8:7 | Sets the Open LED Threshold | <p>0x0: 14V</p> <p>0x1: 9.33V</p> <p>0x2: 4.66V</p> <p>0x3: Reserved</p> |
| LED_SLEW | 6:4 | Slew Control for the Internal LED Gate Driver. This register should only be written when SW_GO_EN = 0. | <p>VALUE: DECODE</p> <p>0x0: 0.04V/μs</p> <p>0x1: 0.062V/μs</p> <p>0x2: 0.11V/μs</p> <p>0x3: 0.20V/μs</p> <p>0x4: 0.31V/μs</p> <p>0x5: 0.5V/μs</p> <p>0x6: 1.0V/μs</p> |

| BITFIELD | BITS | DESCRIPTION | DECODE | | | | | | | | | | | | | | | | | | | | |
|-------------|-----------|--|--|-----------|-------|--------|-----|----------|----------|----------|-----|----------|----------|---------|-----|-------|---------|----------|-----|-------|---------|---------|--|
| DIV | 3:2 | PWM Dimming-Frequency Select | 0x0: f _{OSC} /8,192 Nominal 2kHz 0x0: External clock frequency divided by 8,192 0x1: f _{OSC} /16,384 Nominal 1kHz 0x1: External clock frequency divided by 16,384 0x2: f _{OSC} /32,768 Nominal 500Hz 0x2: External clock frequency divided by 32,768 0x3: f _{OSC} /65,536 Nominal 250Hz 0x3: External clock frequency divided by 65,536 | | | | | | | | | | | | | | | | | | | | |
| PWM_CLK_SEL | 1:0 | Determines internal/external PWM clock and direction of the CLK pin. <table border="1" style="margin-left: 20px;"> <thead> <tr> <th>VALUE</th> <th>PWM CLOCK</th> <th>CLKIN</th> <th>CLKOUT</th> </tr> </thead> <tbody> <tr> <td>0x0</td> <td>Internal</td> <td>Disabled</td> <td>Disabled</td> </tr> <tr> <td>0x1</td> <td>Internal</td> <td>Disabled</td> <td>Enabled</td> </tr> <tr> <td>0x2</td> <td>CLKIN</td> <td>Enabled</td> <td>Disabled</td> </tr> <tr> <td>0x3</td> <td>CLKIN</td> <td>Enabled</td> <td>Enabled</td> </tr> </tbody> </table> | VALUE | PWM CLOCK | CLKIN | CLKOUT | 0x0 | Internal | Disabled | Disabled | 0x1 | Internal | Disabled | Enabled | 0x2 | CLKIN | Enabled | Disabled | 0x3 | CLKIN | Enabled | Enabled | |
| VALUE | PWM CLOCK | CLKIN | CLKOUT | | | | | | | | | | | | | | | | | | | | |
| 0x0 | Internal | Disabled | Disabled | | | | | | | | | | | | | | | | | | | | |
| 0x1 | Internal | Disabled | Enabled | | | | | | | | | | | | | | | | | | | | |
| 0x2 | CLKIN | Enabled | Disabled | | | | | | | | | | | | | | | | | | | | |
| 0x3 | CLKIN | Enabled | Enabled | | | | | | | | | | | | | | | | | | | | |

CNFG_GEN_2 (0x04)

CNFG_GEN_2 controls the Short LED threshold (VSTH) of switches 1, 2, 3, and 4.

SW_GO_EN should be set low before changing any configuration registers.

| BIT | 12 | 11 | 10 | 9 | 8 |
|-------------|----|-------------|----|---|-------------|
| Field | – | VSTH_4[2:0] | | | VSTH_3[2] |
| Reset | – | | | | |
| Access Type | – | Write, Read | | | Write, Read |

| BIT | 7 | 6 | 5 | 4 | 3 | 2 | 1 | 0 |
|-------------|-------------|---|-------------|---|---|-------------|---|---|
| Field | VSTH_3[1:0] | | VSTH_2[2:0] | | | VSTH_1[2:0] | | |
| Reset | | | | | | | | |
| Access Type | Write, Read | | Write, Read | | | Write, Read | | |

| BITFIELD | BITS | DESCRIPTION | DECODE |
|----------|------|---|--|
| VSTH_4 | 11:9 | Sets the Short LED Threshold Value for Switch 4 | 0x0: 1.4V 0x1: 3.6V 0x2: 4V 0x3: 5.5V 0x4: 6V 0x5: 6.6V 0x6: 7.2V 0x7: 7.7V |

| BITFIELD | BITS | DESCRIPTION | DECODE |
|----------|------|---|--|
| VSTH_3 | 8:6 | Sets the Short LED Threshold Value for Switch 3 | 0x0: 1.4V 0x1: 3.6V 0x2: 4V 0x3: 5.5V 0x4: 6V 0x5: 6.6V 0x6: 7.2V 0x7: 7.7V |
| VSTH_2 | 5:3 | Sets the Short LED Threshold Value for Switch 2 | 0x0: 1.4V 0x1: 3.6V 0x2: 4V 0x3: 5.5V 0x4: 6V 0x5: 6.6V 0x6: 7.2V 0x7: 7.7V |
| VSTH_1 | 2:0 | Sets the Short LED Threshold Value for Switch 1 | 0x0: 1.4V 0x1: 3.6V 0x2: 4V 0x3: 5.5V 0x4: 6V 0x5: 6.6V 0x6: 7.2V 0x7: 7.7V |

CNFG_GEN_3 (0x05)

CNFG_GEN_3 controls the Short LED threshold (VSTH) of switches 5, 6, 7, and 8.

SW_GO_EN should be set low before changing any configuration registers.

| BIT | | 12 | 11 | 10 | 9 | 8 | | |
|-------------|-------------|---|--|----|-------------|-------------|---|---|
| Field | | – | VSTH_8[2:0] | | | VSTH_7[2] | | |
| Reset | | – | | | | | | |
| Access Type | | – | Write, Read | | | Write, Read | | |
| BIT | 7 | 6 | 5 | 4 | 3 | 2 | 1 | 0 |
| Field | VSTH_7[1:0] | | VSTH_6[2:0] | | VSTH_5[2:0] | | | |
| Reset | | | | | | | | |
| Access Type | Write, Read | | Write, Read | | Write, Read | | | |
| BITFIELD | BITS | DESCRIPTION | DECODE | | | | | |
| VSTH_8 | 11:9 | Sets the Short LED Threshold Value for Switch 8 | 0x0: 1.4V 0x1: 3.6V 0x2: 4V 0x3: 5.5V 0x4: 6V 0x5: 6.6V 0x6: 7.2V 0x7: 7.7V | | | | | |

| BITFIELD | BITS | DESCRIPTION | DECODE |
|----------|------|---|--|
| VSTH_7 | 8:6 | Sets the Short LED Threshold Value for Switch 7 | 0x0: 1.4V 0x1: 3.6V 0x2: 4V 0x3: 5.5V 0x4: 6V 0x5: 6.6V 0x6: 7.2V 0x7: 7.7V |
| VSTH_6 | 5:3 | Sets the Short LED Threshold Value for Switch 6 | 0x0: 1.4V 0x1: 3.6V 0x2: 4V 0x3: 5.5V 0x4: 6V 0x5: 6.6V 0x6: 7.2V 0x7: 7.7V |
| VSTH_5 | 2:0 | Sets the Short LED Threshold Value for Switch 5 | 0x0: 1.4V 0x1: 3.6V 0x2: 4V 0x3: 5.5V 0x4: 6V 0x5: 6.6V 0x6: 7.2V 0x7: 7.7V |

CNFG_GEN_4 (0x06)

CNFG_GEN_4 controls the Short LED threshold (VSTH) of switches 9, 10, 11, and 12.

SW_GO_EN should be set low before changing any configuration registers.

| BIT | 12 | 11 | 10 | 9 | 8 | | | |
|-------------|--------------|--|--|---|-------------|---|---|---|
| Field | – | VSTH_12[2:0] | | | VSTH_11[2] | | | |
| Reset | – | | | | | | | |
| Access Type | – | Write, Read | | | Write, Read | | | |
| BIT | 7 | 6 | 5 | 4 | 3 | 2 | 1 | 0 |
| Field | VSTH_11[1:0] | | VSTH_10[2:0] | | VSTH_9[2:0] | | | |
| Reset | | | | | | | | |
| Access Type | Write, Read | | Write, Read | | Write, Read | | | |
| BITFIELD | BITS | DESCRIPTION | DECODE | | | | | |
| VSTH_12 | 11:9 | Sets the Short LED Threshold Value for Switch 12 | 0x0: 1.4V 0x1: 3.6V 0x2: 4V 0x3: 5.5V 0x4: 6V 0x5: 6.6V 0x6: 7.2V 0x7: 7.7V | | | | | |

| BITFIELD | BITS | DESCRIPTION | DECODE |
|----------|------|--|--|
| VSTH_11 | 8:6 | Sets the Short LED Threshold Value for Switch 11 | 0x0: 1.4V 0x1: 3.6V 0x2: 4V 0x3: 5.5V 0x4: 6V 0x5: 6.6V 0x6: 7.2V 0x7: 7.7V |
| VSTH_10 | 5:3 | Sets the Short LED Threshold Value for Switch 10 | 0x0: 1.4V 0x1: 3.6V 0x2: 4V 0x3: 5.5V 0x4: 6V 0x5: 6.6V 0x6: 7.2V 0x7: 7.7V |
| VSTH_9 | 2:0 | Sets the Short LED Threshold Value for Switch 9 | 0x0: 1.4V 0x1: 3.6V 0x2: 4V 0x3: 5.5V 0x4: 6V 0x5: 6.6V 0x6: 7.2V 0x7: 7.7V |

CNFG_UART (0x07)

CNFG_UART is a read/write access register that controls how the UART is configured, namely the cluster ID assignment and the operation of the UART Watchdog Timer.

| BIT | 12 | 11 | 10 | 9 | 8 | | | |
|-------------|--------------------|----|-------------|--------------------|---|---|---|---|
| Field | – | – | – | CNFG_WATCHDOG[3:2] | | | | |
| Reset | – | – | – | | | | | |
| Access Type | – | – | – | Write, Read | | | | |
| BIT | 7 | 6 | 5 | 4 | 3 | 2 | 1 | 0 |
| Field | CNFG_WATCHDOG[1:0] | | CID[5:0] | | | | | |
| Reset | | | 0b000001 | | | | | |
| Access Type | Write, Read | | Write, Read | | | | | |

| BITFIELD | BITS | DESCRIPTION | DECODE |
|-------------------|------|--|--|
| CNFG_WAT CHDOG | 9:6 | This field controls the duration of the UART Watchdog Timer. When CNFG_WATCHDOG is set to a nonzero value, and no valid UART commands are received for a duration set by the CNFG_WATCHDOG field, the UART_Watchdog status bit is set. When the UART_Watchdog status bit is set: (1) The FLT pin is asserted. (2) The state of the switches is set according to the WD_LED_STATE register. | 0x0: Disabled 0x1: 200µs 0x2: 500µs 0x3: 1ms 0x4: 2ms 0x5: 5ms 0x6: 10ms 0x7: 20ms 0x8: 50ms 0x9: 100ms 0xA: 200ms 0xB: 500ms 0xC: 1s 0xD: 2s 0xE: 5s 0xF: 5s |
| CID | 5:0 | Cluster Identification: During a cluster call write transaction, the UART accepts the transaction if the received CID[5:0] matches the contents of this register. | |

CNFG_WATCHDOG (0x08)

| BIT | 12 | 11 | 10 | 9 | 8 | | | |
|------------------|-------------------|--|--|---|---|---|---|---|
| Field | – | WD_LED_STATE[11:8] | | | | | | |
| Reset | – | | | | | | | |
| Access Type | – | Write, Read | | | | | | |
| BIT | 7 | 6 | 5 | 4 | 3 | 2 | 1 | 0 |
| Field | WD_LED_STATE[7:0] | | | | | | | |
| Reset | | | | | | | | |
| Access Type | Write, Read | | | | | | | |
| BITFIELD | BITS | DESCRIPTION | DECODE | | | | | |
| WD_LED_ST ATE | 11:0 | Sets the state of LEDs when watchdog timeout and Rx timeout conditions are detected. | 0x0: Switch Open 0x1: Switch Closed | | | | | |

CNFG_OPEN_OVRD (0x09)

OPEN_OVRD is a read/write register that overrides the LED switching control signals. When this feature is disabled, the LED switch operates normally. When this feature is enabled, the LED switch is always forced to a closed position (i.e., the LED duty cycle is zero, regardless of the DUTY or TDIM settings).

The intent is to allow the µP to manually force the switch to stay closed after it has determined the particular LED is permanently opened. This further suppresses fault signals from the switch(es) since LED faults are only detected when the switch opens.

| BIT | 12 | 11 | 10 | 9 | 8 |
|-------------|----|--------------------|----|---|---|
| Field | – | OPEN_LED_OVR[11:8] | | | |
| Reset | – | 0x000 | | | |
| Access Type | – | Write, Read | | | |

| BIT | 7 | 6 | 5 | 4 | 3 | 2 | 1 | 0 | |
|--------------|-------------------|--|---|---|---|--|---|---|--|
| Field | OPEN_LED_OVR[7:0] | | | | | | | | |
| Reset | 0x000 | | | | | | | | |
| Access Type | Write, Read | | | | | | | | |
| BITFIELD | BITS | DESCRIPTION | | | | DECODE | | | |
| OPEN_LED_OVR | 11:0 | Open-LED Override: Program these bits to force the corresponding switch(es) to always be closed. This overrides the state of the corresponding DUTY registers. | | | | 0x0: Normal 0x1: LED switch is always closed. | | | |

CNFG_GRP_A (0x0A)

CNFG_GRP_A is a read/write register that allows the user to assign particular LED drivers to this group. LED drivers assigned to this group respond to qualified transactions on the following registers:

- PSFT_GRP (if PSFT_GROUP==0001)
- TDIM_GROUP (if TDIM_GROUP=0001)
- PWM_GRP_A_DUTY

| BIT | 12 | 11 | 10 | 9 | 8 | | | | |
|-------------|-----------------|---|----|---|---|------------------------------------|---|---|--|
| Field | – | GROUPA_SEL[11:8] | | | | | | | |
| Reset | – | 0x000 | | | | | | | |
| Access Type | – | Write, Read | | | | | | | |
| BIT | 7 | 6 | 5 | 4 | 3 | 2 | 1 | 0 | |
| Field | GROUPA_SEL[7:0] | | | | | | | | |
| Reset | 0x000 | | | | | | | | |
| Access Type | Write, Read | | | | | | | | |
| BITFIELD | BITS | DESCRIPTION | | | | DECODE | | | |
| GROUPA_SEL | 11:0 | Set high if assigning a register to GroupA. | | | | 0x0: Not assigned 0x1: Assigned | | | |

CNFG_GRP_B (0x0B)

CNFG_GRP_B is a read/write register that allows the user to assign particular LED drivers to this group. LED drivers assigned to this group respond to qualified transactions on the following registers:

- PSFT_GRP (if PSFT_GROUP==00010)
- TDIM_GROUP (if TDIM_GROUP=0010)
- PWM_GRP_B_DUTY

| BIT | 12 | 11 | 10 | 9 | 8 | |
|-------------|----|------------------|----|---|---|--|
| Field | – | GROUPB_SEL[11:8] | | | | |
| Reset | – | 0x000 | | | | |
| Access Type | – | Write, Read | | | | |

| BIT | 7 | 6 | 5 | 4 | 3 | 2 | 1 | 0 |
|-------------|-----------------|---|---|---|------------------------------------|---|---|---|
| Field | GROUPB_SEL[7:0] | | | | | | | |
| Reset | 0x000 | | | | | | | |
| Access Type | Write, Read | | | | | | | |
| BITFIELD | BITS | DESCRIPTION | | | DECODE | | | |
| GROUPB_SEL | 11:0 | Set high if assigning a register to GroupB. | | | 0x0: Not assigned 0x1: Assigned | | | |

CNFG_MSK_GEN (0x0C)

CNFG_MSK is a read/write access register that controls the masking of fault conditions from the $\overline{\text{FLT}}$ pin.

| BIT | | | | 12 | 11 | 10 | 9 | 8 |
|---------------|------|---|---|--------------|---|--------------|--------------|-------------|
| Field | | | | TH_SHDN_ACT | – | – | – | – |
| Reset | | | | 0b0 | – | – | – | – |
| Access Type | | | | Write, Read | – | – | – | – |
| BIT | 7 | 6 | 5 | 4 | 3 | 2 | 1 | 0 |
| Field | – | MSK_UART_ERR | – | MSK_OPEN_LED | MSK_SHORT_LED | MSK_CP_RDY_N | MSK_RADC_ERR | MSK_TH_WARN |
| Reset | – | 0b0 | – | 0b0 | 0b0 | 0b0 | 0b0 | 0b0 |
| Access Type | – | Write, Read | – | Write, Read | Write, Read | Write, Read | Write, Read | Write, Read |
| BITFIELD | BITS | DESCRIPTION | | | DECODE | | | |
| TH_SHDN_ACT | 12 | Thermal-Shutdown Action: This bit selects whether to open or close the LED switches when a TH_SHDN is high. | | | 0x0: Closes all LED switches. 0x1: Opens all LED switches. | | | |
| MSK_UART_ERR | 6 | Masks UART_ERR to FAULTB. | | | 0x0: UART_ERR being set high asserts the $\overline{\text{FLT}}$ pin. 0x1: UART_ERR bit does not assert the $\overline{\text{FLT}}$ pin. | | | |
| MSK_OPEN_LED | 4 | Masks all open-LED detections to $\overline{\text{FLT}}$ pin. | | | 0x0: Any OPEN_LED__ detections assert the $\overline{\text{FLT}}$ pin. 0x1: Any OPEN_LED__ detections do not assert the $\overline{\text{FLT}}$ pin. | | | |
| MSK_SHORT_LED | 3 | Masks all STAT_SHORT_LED detections to $\overline{\text{FLT}}$ pin | | | 0x0: Any STAT_SHORT_LED bits set high assert the $\overline{\text{FLT}}$ pin. 0x1: Any STAT_SHORT_LED bits set high do not assert the $\overline{\text{FLT}}$ pin. | | | |
| MSK_CP_RDY_N | 2 | Mask CP_RDY_N to FAULTB. | | | 0x0: CP_RDY_N asserts the $\overline{\text{FLT}}$ pin. 0x1: CP_RDY_N does not assert the $\overline{\text{FLT}}$ pin. | | | |
| MSK_RADC_ERR | 1 | Masks RADC_ERR to FAULTB. | | | 0x0: No masking of RADC_ERR. 0x1: Mask RADC_ERR from generating fault. | | | |
| MSK_TH_WARN | 0 | Mask-Thermal Warning to FAULTB. | | | 0x0: TH_WARN asserts the $\overline{\text{FLT}}$ pin. 0x1: TH_WARN does not assert the $\overline{\text{FLT}}$ pin. | | | |

CNFG_MSK_LED (0x0D)

CNFG_MSK_LED prevents LED faults from asserting the $\overline{\text{FLT}}$ pin. This allows the μP to instruct the part to ignore faults from a particular LED when that LED is deliberately not populated in the application.

| BIT | 12 | 11 | 10 | 9 | 8 | | | |
|-------------|-------------------|--------------------|----|---|---|---|---|---|
| Field | – | CNFG_MSK_LED[11:8] | | | | | | |
| Reset | – | 0x000 | | | | | | |
| Access Type | – | Write, Read | | | | | | |
| BIT | 7 | 6 | 5 | 4 | 3 | 2 | 1 | 0 |
| Field | CNFG_MSK_LED[7:0] | | | | | | | |
| Reset | 0x000 | | | | | | | |
| Access Type | Write, Read | | | | | | | |

| BITFIELD | BITS | DESCRIPTION |
|--------------|------|--|
| CNFG_MSK_LED | 11:0 | Set bit(s) <u>high</u> to mask OPEN_LED and SHORT_LED from those LEDs asserting FLT pin. |

STAT_RADC (0x0E)

Status indicators for RGRADE and RADDR decoding

| BIT | 12 | 11 | 10 | 9 | 8 | | | |
|-------------|----|----|----|---------------|--------------------------|---------------------------|---------------------------|----------------------------|
| Field | – | – | – | – | – | | | |
| Reset | – | – | – | – | – | | | |
| Access Type | – | – | – | – | – | | | |
| BIT | 7 | 6 | 5 | 4 | 3 | 2 | 1 | 0 |
| Field | – | – | – | RADC_DON E | RADDR_O VER_RANG E | RGRADE_ OVER_RAN GE | RADDR_U NDER_RAN GE | RGRADE_ UNDER_RA NGE |
| Reset | – | – | – | 0b0 | 0b0 | 0b0 | 0b0 | 0b0 |
| Access Type | – | – | – | Read Only | Read Only | Read Only | Read Only | Read Only |

| BITFIELD | BITS | DESCRIPTION | DECODE |
|----------------------------|------|--|--|
| RADC_DON E | 4 | Status Indicator for RADDR/RGRADE decoding | 0x0: RADC measurement incomplete 0x1: RADC measurement is complete |
| RADDR_O VER_RANG E | 3 | Indicates that the RADDR resistor value is above the supported range. | 0x0: Normal operation 0x1: RADDR Over Range, or an open is detected. |
| RGRADE_ OVER_RANG E | 2 | Indicates that the RGRADE resistor value is above the supported range. | 0x0: Normal operation 0x1: RGRADE Over Range, or an open is detected. |
| RADDR_U NDER_RANG E | 1 | Indicates that the RADDR resistor value is below the supported range. | 0x0: Normal operation 0x1: RADDR Under Range, or a short detected. |
| RGRADE_ UNDER_RAN GE | 0 | Indicates that the RGRADE resistor value is below the supported range. | 0x0: Normal operation 0x1: RGRADE under range, or a short detected. |

STAT_RES_CODE (0x0F)

| | | | | | | | | |
|--------------------|-------------|-----------|-----------|-----------|-------------|----------|----------|----------|
| BIT | | 12 | 11 | 10 | 9 | 8 | | |
| Field | | – | – | – | – | – | | |
| Reset | | – | – | – | – | – | | |
| Access Type | | – | – | – | – | – | | |
| BIT | 7 | 6 | 5 | 4 | 3 | 2 | 1 | 0 |
| Field | DEV_ID[3:0] | | | | RGRADE[3:0] | | | |
| Reset | | | | | | | | |
| Access Type | Read Only | | | | Read Only | | | |

| BITFIELD | BITS | DESCRIPTION |
|-----------------|-------------|---|
| DEV_ID | 7:4 | Decoded value of the RADDR external resistor. This value is used to set the UART Device ID. |
| RGRADE | 3:0 | Decoded value of the external RGRADE resistor. |

STAT_GEN (0x10)

STAT_GEN is a read/write register that provides general operations and warnings. $\overline{\text{FLT}}$ pin is asserted whenever any of these bits is high, unless the corresponding MASK bit is set.

| | | | | | | | | |
|--------------------|-------------|-----------|-----------|-------------|---------------------|-----------|---------------------------|---------------------------|
| BIT | | 12 | 11 | 10 | 9 | 8 | | |
| Field | | – | – | OTP_CRC_ERR | CONFIG_N OT_DONE | RADC_ERR | | |
| Reset | | – | – | | 0b0 | 0b0 | | |
| Access Type | | – | – | Read Only | Read Only | Read Only | | |
| BIT | 7 | 6 | 5 | 4 | 3 | 2 | 1 | 0 |
| Field | EXT_CLK_ERR | UART_ERR | – | OPEN_LED | SHORT_LED | CP_RDY_N | TH_SHDN | TH_WARN |
| Reset | 0b0 | 0b0 | – | 0b0 | 0b0 | 0b0 | 0b0 | 0b0 |
| Access Type | Read Only | Read Only | – | Read Only | Read Only | Read Only | Write 1 to Clear, Read | Write 1 to Clear, Read |

| BITFIELD | BITS | DESCRIPTION | DECODE |
|-----------------|-------------|---|--|
| OTP_CRC_ERR | 10 | OTP CRC Error Bit. Indicates that a CRC error has been detected when reading back the internal OTP memory. Status bit only, does not assert $\overline{\text{FLT}}$ pin. | |
| CONFIG_NOT_DONE | 9 | This bit indicates that the UART interface has not completed programming the LED switch configuration, triggered by writing CNFG_GEN. The controller should ensure this bit is low before attempting to program CNFG_GEN. This bit does not assert the $\overline{\text{FLT}}$ pin. | 0x0: Configuration complete; ready for new CNFG_GEN command. 0x1: Configuration not complete. |

| BITFIELD | BITS | DESCRIPTION | DECODE |
|-------------|------|--|--|
| RADC_ERR | 8 | This signal indicates that the RGRADE read operation is not complete. When the signal goes low, the read is complete and RGRADE[3:0] in register 0x0F is valid. This signal asserts the FLT pin. | 0x0: RADC completes. 0x1: RADC error. |
| EXT_CLK_ERR | 7 | EXT_CLK_ERR is asserted when the part is configured to use the CLKIN pin as the reference clock (PWM_CLK_SEL = x2 or x3) and the external clock is slower than the minimum operating frequency. | 0x0: CLKIN operating in spec. 0x1: External Clock Error. |
| UART_ERR | 6 | UART_ERR is asserted if any of the error bits in CNFG_UART are set. | 0x0: UART is operating normally. 0x1: At least one of UART errors has been asserted. |
| OPEN_LED | 4 | OPEN_LED is asserted if any OPEN_LED_STAT bit is high. | 0x0: All LED drivers operating normally. 0x1: At least one LED driver has open detected. |
| SHORT_LED | 3 | SHORT_LED is asserted if any SHORT_LED_STAT bit is high. | 0x0: All LED drivers operating normally. 0x1: At least one LED driver has short detected. |
| CP_RDY_N | 2 | CP_RDY_N is a read-only bit that indicates that the charge-pump voltage is below the operating threshold. | 0x0: CP operating normally. 0x1: CP is below V _{CPP_OK} threshold. |
| TH_SHDN | 1 | Thermal Shutdown. Latched, write 1 to clear. | |
| TH_WARN | 0 | Thermal Warning. Latched, write 1 to clear. | 0x0: Normal operation. 0x1: Device has exceeded the thermal-warning threshold. |

STAT_UART (0x11)

| BIT | 7 | 6 | 5 | 4 | 3 | 2 | 1 | 0 |
|-------------|---------------------------|---------------------------|---------------------------|---------------------------|---------------------------|---------------------------|---------------------------|---------------------------|
| Field | | | | | | | | UART_WAT CHDOG |
| Reset | | | | | | | | |
| Access Type | | | | | | | | Write 1 to Clear, Read |
| BIT | 7 | 6 | 5 | 4 | 3 | 2 | 1 | 0 |
| Field | RX_TIMEO UT_ERR | RX_CRC_E RR | RX_SYNC_ PERR | RX_PL_PE RR | RX_SYNC_ STOP_ERR | RX_PL_ST OP_ERR | RX_PL_ST ART_ERR | – |
| Reset | 0b0 | 0b0 | 0b0 | 0b0 | 0b0 | 0b0 | 0b0 | – |
| Access Type | Write 1 to Clear, Read | Write 1 to Clear, Read | Write 1 to Clear, Read | Write 1 to Clear, Read | Write 1 to Clear, Read | Write 1 to Clear, Read | Write 1 to Clear, Read | – |

| BITFIELD | BITS | DESCRIPTION | DECODE |
|--------------------|------|---|---|
| UART_WAT CHDOG | 8 | The UART Watchdog Timer will assert whenever there has been no activity on the UART_RX pin for the time duration set by the CNFG_WATCHDGOG field in the CNFG_UART register. | |
| RX_TIMEOU T_ERR | 7 | This bit shall be asserted if there are no UART_RX transitions for more than 16 bit lengths between the frames and the switches will go to the state set by the CNFG_WATCHDOG register. | 0x0: Normal operation. 0x1: UART Rx times out. |

| BITFIELD | BITS | DESCRIPTION | DECODE |
|------------------|------|--|---|
| RX_CRC_ERR | 6 | CRC Error Indicator | 0x0: Normal operation. 0x1: CRC Error: At least one UART transaction rejected due to a failed CRC check. |
| RX_SYNC_PERR | 5 | Parity Error in Rx Sync Frame detected | 0x0: Normal operation. 0x1: Rx Sync Frame parity error detected. |
| RX_PL_PERR | 4 | Parity Error detected on Rx Payload data | 0x0: Normal operation. 0x1: UART Rx payload parity error detected. |
| RX_SYNC_STOP_ERR | 3 | Rx Sync Frame Stop Bit Error detected | 0x0: Normal operation. 0x1: Rx Sync Frame STOP bit error detected |
| RX_PL_STOP_ERR | 2 | UART Stop Bit Error detected in Rx Data Frames | 0x0: Normal operation. 0x1: Rx Payload Frame STOP bit error. |
| RX_PL_START_ERR | 1 | UART Start Bit Error on Rx Data Frame | 0x0: Normal operation. 0x1: Rx Payload Frame START bit error. |

STAT_SHORT_LED (0x12)

STAT_SHORT_LED is a read/write register that provides short-detect information on the 12 LED output drivers.

| BIT | 12 | 11 | 10 | 9 | 8 | | | |
|----------------|------------------------|---|----|---|---|---|---|---|
| Field | SHORT_LED_STAT[11:8] | | | | | | | |
| Reset | 0x000 | | | | | | | |
| Access Type | Write 1 to Clear, Read | | | | | | | |
| BIT | 7 | 6 | 5 | 4 | 3 | 2 | 1 | 0 |
| Field | SHORT_LED_STAT[7:0] | | | | | | | |
| Reset | 0x000 | | | | | | | |
| Access Type | Write 1 to Clear, Read | | | | | | | |
| BITFIELD | BITS | DESCRIPTION | | | | | | |
| SHORT_LED_STAT | 11:0 | Indicates that a LED short has been detected. | | | | | | |

STAT_OPEN_LED (0x13)

STAT_OPEN is a read/write register that provides open-detect information on the twelve LED output drivers.

| BIT | 12 | 11 | 10 | 9 | 8 | | | |
|---------------|------------------------|---|------------------------------|---|---|---|---|---|
| Field | OPEN_LED_STAT[11:8] | | | | | | | |
| Reset | 0x000 | | | | | | | |
| Access Type | Write 1 to Clear, Read | | | | | | | |
| BIT | 7 | 6 | 5 | 4 | 3 | 2 | 1 | 0 |
| Field | OPEN_LED_STAT[7:0] | | | | | | | |
| Reset | 0x000 | | | | | | | |
| Access Type | Write 1 to Clear, Read | | | | | | | |
| BITFIELD | BITS | DESCRIPTION | DECODE | | | | | |
| OPEN_LED_STAT | 11:0 | Indicates that an open-LED condition has been detected. | 0x0: Normal 0x1: Open LED | | | | | |

RTEMP (0x15)

| BIT | | 12 | 11 | 10 | 9 | 8 | | |
|-------------|------------|----|---|----|---|---|---|---|
| Field | | – | – | – | – | – | | |
| Reset | | – | – | – | – | – | | |
| Access Type | | – | – | – | – | – | | |
| BIT | 7 | 6 | 5 | 4 | 3 | 2 | 1 | 0 |
| Field | RTEMP[7:0] | | | | | | | |
| Reset | | | | | | | | |
| Access Type | Read Only | | | | | | | |
| BITFIELD | BITS | | DESCRIPTION | | | | | |
| RTEMP | 7:0 | | Raw 8-bit ADC value representing the ratio of the voltage at the RTEMP pin relative to the voltage at the V _{DD} pin. This value can be used in conjunction with an external NTC resistor network to provide remote temperature sensing functionality. | | | | | |

LOW_DUTY_TH (0x16)

| BIT | | 12 | 11 | 10 | 9 | 8 | | |
|-------------|------------------|----|--|----|---|---|---|---|
| Field | | – | LOW_DUTY_TH[11:8] | | | | | |
| Reset | | – | 0x10 | | | | | |
| Access Type | | – | Write, Read | | | | | |
| BIT | 7 | 6 | 5 | 4 | 3 | 2 | 1 | 0 |
| Field | LOW_DUTY_TH[7:0] | | | | | | | |
| Reset | 0x10 | | | | | | | |
| Access Type | Write, Read | | | | | | | |
| BITFIELD | BITS | | DESCRIPTION | | | | | |
| LOW_DUTY_TH | 11:0 | | The Low Duty Threshold is used to filter out LED fault signals during short duty cycles when the voltage across the switch might not settle to a final value, causing invalid detection of the Short LED condition. When the DUTY register of a switch is less than LOW_DUTY_TH, the SHORT_LED signal is masked and SHORT_LED_STAT is not asserted for that switch. If using slew rate control, the LED short detection will only happen after the part is finished slewing. | | | | | |

PSFT_GRP (0x20)

PSFT_GRP is a read/write register that allows the user to assign the same phase shift to one or more LED drivers. The contents of PSFT are written to the desired group specified by PSFT_GROUP.

Example:

If PSFT_GROUP == Group A, PSFT == 0001, and LED11, LED9, and LED6 are assigned to Group A (through CNFG_GRP_A), then PSFT_11, PSFT_9, and PSFT_6 contain 0001 after the transaction is executed.

| BIT | | 12 | 11 | 10 | 9 | 8 | | |
|-------------|-------------|----|--|----|-----------------|---|---|---|
| Field | | – | – | – | PSFT_GROUP[1:0] | | | |
| Reset | | – | – | – | 0x1 | | | |
| Access Type | | – | – | – | Write, Read | | | |
| BIT | 7 | 6 | 5 | 4 | 3 | 2 | 1 | 0 |
| Field | PSFT[7:0] | | | | | | | |
| Reset | 0x0 | | | | | | | |
| Access Type | Write, Read | | | | | | | |
| BITFIELD | BITS | | DESCRIPTION | | | | | |
| PSFT_GROUP | 9:8 | | Group Select: Bit 8: Group A selected Bit 9: Group B selected Multiple groups can be selected at a time. Note: 00 is not a valid selection, the transaction is not executed and the 4-bit value is unchanged. | | | | | |
| PSFT | 7:0 | | Phase Select. | | | | | |

PSFT_1 (0x21)

PSFT_1 is a read/write register that controls the phase shift for LED1.

| BIT | | 12 | 11 | 10 | 9 | 8 | | |
|-------------|-------------|----|--------------------|----|---|---|---|---|
| Field | | – | – | – | – | – | | |
| Reset | | – | – | – | – | – | | |
| Access Type | | – | – | – | – | – | | |
| BIT | 7 | 6 | 5 | 4 | 3 | 2 | 1 | 0 |
| Field | PSFT_1[7:0] | | | | | | | |
| Reset | 0x0 | | | | | | | |
| Access Type | Write, Read | | | | | | | |
| BITFIELD | BITS | | DESCRIPTION | | | | | |
| PSFT_1 | 7:0 | | LED1 Phase Select. | | | | | |

PSFT_2 (0x22)

PSFT_2 is a read/write register that controls the phase shift for LED2.

| BIT | | 12 | 11 | 10 | 9 | 8 |
|-------------|--|----|----|----|---|---|
| Field | | – | – | – | – | – |
| Reset | | – | – | – | – | – |
| Access Type | | – | – | – | – | – |

| BIT | 7 | 6 | 5 | 4 | 3 | 2 | 1 | 0 |
|-------------|-------------|---|---|---|---|---|---|---|
| Field | PSFT_2[7:0] | | | | | | | |
| Reset | 0x15 | | | | | | | |
| Access Type | Write, Read | | | | | | | |

| BITFIELD | BITS | DESCRIPTION |
|----------|------|--------------------|
| PSFT_2 | 7:0 | LED2 Phase Select. |

PSFT_3 (0x23)

PSFT_3 is a read/write register that controls the phase shift for LED3.

| BIT | 12 | 11 | 10 | 9 | 8 |
|-------------|----|----|----|---|---|
| Field | – | – | – | – | – |
| Reset | – | – | – | – | – |
| Access Type | – | – | – | – | – |

| BIT | 7 | 6 | 5 | 4 | 3 | 2 | 1 | 0 |
|-------------|-------------|---|---|---|---|---|---|---|
| Field | PSFT_3[7:0] | | | | | | | |
| Reset | 0x2A | | | | | | | |
| Access Type | Write, Read | | | | | | | |

| BITFIELD | BITS | DESCRIPTION |
|----------|------|--------------------|
| PSFT_3 | 7:0 | LED3 Phase Select. |

PSFT_4 (0x24)

PSFT_4 is a read/write register that controls the phase shift for LED4.

| BIT | 12 | 11 | 10 | 9 | 8 |
|-------------|----|----|----|---|---|
| Field | – | – | – | – | – |
| Reset | – | – | – | – | – |
| Access Type | – | – | – | – | – |

| BIT | 7 | 6 | 5 | 4 | 3 | 2 | 1 | 0 |
|-------------|-------------|---|---|---|---|---|---|---|
| Field | PSFT_4[7:0] | | | | | | | |
| Reset | 0x40 | | | | | | | |
| Access Type | Write, Read | | | | | | | |

| BITFIELD | BITS | DESCRIPTION |
|----------|------|--------------------|
| PSFT_4 | 7:0 | LED4 Phase Select. |

PSFT_5 (0x25)

PSFT_5 is a read/write register that controls the phase shift for LED5.

| BIT | | 12 | 11 | 10 | 9 | 8 | | |
|-------------|-------------|----|--------------------|----|---|---|---|---|
| Field | | – | – | – | – | – | | |
| Reset | | – | – | – | – | – | | |
| Access Type | | – | – | – | – | – | | |
| BIT | 7 | 6 | 5 | 4 | 3 | 2 | 1 | 0 |
| Field | PSFT_5[7:0] | | | | | | | |
| Reset | 0x55 | | | | | | | |
| Access Type | Write, Read | | | | | | | |
| BITFIELD | BITS | | DESCRIPTION | | | | | |
| PSFT_5 | 7:0 | | LED5 Phase Select. | | | | | |

PSFT_6 (0x26)

PSFT_6 is a read/write register that controls the phase shift for LED6.

| BIT | | 12 | 11 | 10 | 9 | 8 | | |
|-------------|-------------|----|--------------------|----|---|---|---|---|
| Field | | – | – | – | – | – | | |
| Reset | | – | – | – | – | – | | |
| Access Type | | – | – | – | – | – | | |
| BIT | 7 | 6 | 5 | 4 | 3 | 2 | 1 | 0 |
| Field | PSFT_6[7:0] | | | | | | | |
| Reset | 0x6A | | | | | | | |
| Access Type | Write, Read | | | | | | | |
| BITFIELD | BITS | | DESCRIPTION | | | | | |
| PSFT_6 | 7:0 | | LED6 Phase Select. | | | | | |

PSFT_7 (0x27)

PSFT_7 is a read/write register that controls the phase shift for LED7.

| BIT | | 12 | 11 | 10 | 9 | 8 | | |
|-------------|-------------|----|--------------------|----|---|---|---|---|
| Field | | – | – | – | – | – | | |
| Reset | | – | – | – | – | – | | |
| Access Type | | – | – | – | – | – | | |
| BIT | 7 | 6 | 5 | 4 | 3 | 2 | 1 | 0 |
| Field | PSFT_7[7:0] | | | | | | | |
| Reset | 0x80 | | | | | | | |
| Access Type | Write, Read | | | | | | | |
| BITFIELD | BITS | | DESCRIPTION | | | | | |
| PSFT_7 | 7:0 | | LED7 Phase Select. | | | | | |

[PSFT_8 \(0x28\)](#)

PSFT_8 is a read/write register that controls the phase shift for LED8.

| BIT | | 12 | 11 | 10 | 9 | 8 | | |
|-------------|-------------|----|----|----|---|---|---|---|
| Field | | – | – | – | – | – | | |
| Reset | | – | – | – | – | – | | |
| Access Type | | – | – | – | – | – | | |
| BIT | 7 | 6 | 5 | 4 | 3 | 2 | 1 | 0 |
| Field | PSFT_8[7:0] | | | | | | | |
| Reset | 0x95 | | | | | | | |
| Access Type | Write, Read | | | | | | | |

| BITFIELD | BITS | DESCRIPTION |
|----------|------|--------------------|
| PSFT_8 | 7:0 | LED8 Phase Select. |

[PSFT_9 \(0x29\)](#)

PSFT_9 is a read/write register that controls the phase shift for LED9.

| BIT | | 12 | 11 | 10 | 9 | 8 | | |
|-------------|-------------|----|----|----|---|---|---|---|
| Field | | – | – | – | – | – | | |
| Reset | | – | – | – | – | – | | |
| Access Type | | – | – | – | – | – | | |
| BIT | 7 | 6 | 5 | 4 | 3 | 2 | 1 | 0 |
| Field | PSFT_9[7:0] | | | | | | | |
| Reset | 0xAA | | | | | | | |
| Access Type | Write, Read | | | | | | | |

| BITFIELD | BITS | DESCRIPTION |
|----------|------|--------------------|
| PSFT_9 | 7:0 | LED9 Phase Select. |

[PSFT_10 \(0x2A\)](#)

PSFT_10 is a read/write register that controls the phase shift for LED10.

| BIT | | 12 | 11 | 10 | 9 | 8 | | |
|-------------|--------------|----|----|----|---|---|---|---|
| Field | | – | – | – | – | – | | |
| Reset | | – | – | – | – | – | | |
| Access Type | | – | – | – | – | – | | |
| BIT | 7 | 6 | 5 | 4 | 3 | 2 | 1 | 0 |
| Field | PSFT_10[7:0] | | | | | | | |
| Reset | 0xC0 | | | | | | | |
| Access Type | Write, Read | | | | | | | |

| BITFIELD | BITS | DESCRIPTION |
|----------|------|---------------------|
| PSFT_10 | 7:0 | LED10 Phase Select. |

PSFT_11 (0x2B)

PSFT_11 is a read/write register that controls the phase shift for LED11.

| BIT | | 12 | 11 | 10 | 9 | 8 | | |
|-------------|--------------|---------------------|----|----|---|---|---|---|
| Field | | – | – | – | – | – | | |
| Reset | | – | – | – | – | – | | |
| Access Type | | – | – | – | – | – | | |
| BIT | 7 | 6 | 5 | 4 | 3 | 2 | 1 | 0 |
| Field | PSFT_11[7:0] | | | | | | | |
| Reset | 0xD5 | | | | | | | |
| Access Type | Write, Read | | | | | | | |
| BITFIELD | BITS | DESCRIPTION | | | | | | |
| PSFT_11 | 7:0 | LED11 Phase Select. | | | | | | |

PSFT_12 (0x2C)

PSFT_12 is a read/write register that controls the phase shift for LED12.

| BIT | | 12 | 11 | 10 | 9 | 8 | | |
|-------------|--------------|---------------------|----|----|---|---|---|---|
| Field | | – | – | – | – | – | | |
| Reset | | – | – | – | – | – | | |
| Access Type | | – | – | – | – | – | | |
| BIT | 7 | 6 | 5 | 4 | 3 | 2 | 1 | 0 |
| Field | PSFT_12[7:0] | | | | | | | |
| Reset | 0xEA | | | | | | | |
| Access Type | Write, Read | | | | | | | |
| BITFIELD | BITS | DESCRIPTION | | | | | | |
| PSFT_12 | 7:0 | LED12 Phase Select. | | | | | | |

TDIM_GRP (0x30)

TDIM_GRP is a read/write register that allows the user to assign the same dimming period to one or more LED drivers. The contents of TDIM are written to the desired group specified by TDIM_GROUP.

Example:

If TDIM_GROUP == Group A, PSFT == 001, and LED12, LED9, and LED6 are assigned to Group A (through CNFG_GRP_A), then TDIM_12, TDIM_9, and TDIM_6 contain 001 after the transaction is executed.

| | | | | | | | | |
|--------------------|----------|----------|-----------------|-----------|-----------|-------------|----------|----------|
| BIT | | | 12 | 11 | 10 | 9 | 8 | |
| Field | | | – | – | – | – | – | |
| Reset | | | – | – | – | – | – | |
| Access Type | | | – | – | – | – | – | |
| BIT | 7 | 6 | 5 | 4 | 3 | 2 | 1 | 0 |
| Field | – | – | TDIM_GROUP[1:0] | | – | TDIM[2:0] | | |
| Reset | – | – | 0x1 | | – | 0b000 | | |
| Access Type | – | – | Write, Read | | – | Write, Read | | |

| BITFIELD | BITS | DESCRIPTION | DECODE |
|-----------------|-------------|--|--|
| TDIM_GROUP | 5:4 | Group Select: Bit 4: Group A selected Bit 5: Group B selected Multiple groups can be selected at a time. Note: 0000 is not a valid selection, the transaction is not executed and the 4-bit value is unchanged. | |
| TDIM | 2:0 | Dimming Period Select | 0x0: Update PWM duty cycle every 1 PWM period 0x1: Update PWM duty cycle every 2 PWM periods 0x2: Update PWM duty cycle every 4 PWM periods 0x3: Update PWM duty cycle every 8 PWM periods 0x4: Update PWM duty cycle every 16 PWM periods 0x5: Update PWM duty cycle every 32 PWM periods 0x6: Update PWM duty cycle every 32 PWM periods 0x7: Update PWM duty cycle every 32 PWM periods 1 PWM period = 8,192 clock cycles by default (PWM period configured by bits [3:2] of register address 0x02) |

TDIM_3_2_1 (0x31)

TDIM_3_2_1 is a read/write register that controls the dimming period for LED drivers 3, 2, and 1.

| | | | | | | | | |
|--------------------|----------|-------------|-----------|-----------|-------------|-------------|----------|----------|
| BIT | | | 12 | 11 | 10 | 9 | 8 | |
| Field | | | – | – | TDIM_3[2:0] | | | |
| Reset | | | – | – | 0b000 | | | |
| Access Type | | | – | – | Write, Read | | | |
| BIT | 7 | 6 | 5 | 4 | 3 | 2 | 1 | 0 |
| Field | – | TDIM_2[2:0] | | | – | TDIM_1[2:0] | | |
| Reset | – | 0b000 | | | – | 0b000 | | |
| Access Type | – | Write, Read | | | – | Write, Read | | |

| BITFIELD | BITS | DESCRIPTION | DECODE |
|----------|------|----------------------------|--|
| TDIM_3 | 10:8 | LED3 Dimming Period Select | 0x0: Update PWM duty cycle every 1 PWM period. 0x1: Update PWM duty cycle every 2 PWM periods. 0x2: Update PWM duty cycle every 4 PWM periods. 0x3: Update PWM duty cycle every 8 PWM periods. 0x4: Update PWM duty cycle every 16 PWM periods. 0x5: Update PWM duty cycle every 32 PWM periods. 0x6: Update PWM duty cycle every 32 PWM periods. 0x7: Update PWM duty cycle every 32 PWM periods. 1 PWM period = 8,192 clock cycles by default (PWM period configured by bits [3:2] of register address 0x02) |
| TDIM_2 | 6:4 | LED2 Dimming Period Select | 0x0: Update PWM duty cycle every 1 PWM period. 0x1: Update PWM duty cycle every 2 PWM periods. 0x2: Update PWM duty cycle every 4 PWM periods. 0x3: Update PWM duty cycle every 8 PWM periods. 0x4: Update PWM duty cycle every 16 PWM periods. 0x5: Update PWM duty cycle every 32 PWM periods. 0x6: Update PWM duty cycle every 32 PWM periods. 0x7: Update PWM duty cycle every 32 PWM periods. 1 PWM period = 8,192 clock cycles by default (PWM period configured by bits [3:2] of register address 0x02) |
| TDIM_1 | 2:0 | LED1 Dimming Period Select | 0x0: Update PWM duty cycle every 1 PWM period. 0x1: Update PWM duty cycle every 2 PWM periods. 0x2: Update PWM duty cycle every 4 PWM periods. 0x3: Update PWM duty cycle every 8 PWM periods. 0x4: Update PWM duty cycle every 16 PWM periods. 0x5: Update PWM duty cycle every 32 PWM periods. 0x6: Update PWM duty cycle every 32 PWM periods. 0x7: Update PWM duty cycle every 32 PWM periods. 1 PWM period = 8,192 clock cycles by default (PWM period configured by bits [3:2] of register address 0x02) |

TDIM_6_5_4 (0x32)

TDIM_6_5_4 is a read/write register that controls the dimming period for LED drivers 6, 5, and 4.

| | | | | | | | | |
|--------------------|----------|-------------|-----------|-------------|----------|-------------|----------|----------|
| BIT | | 12 | 11 | 10 | 9 | 8 | | |
| Field | | – | – | TDIM_6[2:0] | | | | |
| Reset | | – | – | 0b000 | | | | |
| Access Type | | – | – | Write, Read | | | | |
| BIT | 7 | 6 | 5 | 4 | 3 | 2 | 1 | 0 |
| Field | – | TDIM_5[2:0] | | | – | TDIM_4[2:0] | | |
| Reset | – | 0b000 | | | – | 0b000 | | |
| Access Type | – | Write, Read | | | – | Write, Read | | |

| BITFIELD | BITS | DESCRIPTION | DECODE |
|----------|------|----------------------------|--|
| TDIM_6 | 10:8 | LED6 Dimming Period Select | 0x0: Update PWM duty cycle every 1 PWM period. 0x1: Update PWM duty cycle every 2 PWM periods. 0x2: Update PWM duty cycle every 4 PWM periods. 0x3: Update PWM duty cycle every 8 PWM periods. 0x4: Update PWM duty cycle every 16 PWM periods. 0x5: Update PWM duty cycle every 32 PWM periods. 0x6: Update PWM duty cycle every 32 PWM periods. 0x7: Update PWM duty cycle every 32 PWM periods. 1 PWM period = 8,192 clock cycles by default (PWM period configured by bits [3:2] of register address 0x02) |
| TDIM_5 | 6:4 | LED5 Dimming Period Select | 0x0: Update PWM duty cycle every 1 PWM period. 0x1: Update PWM duty cycle every 2 PWM periods. 0x2: Update PWM duty cycle every 4 PWM periods. 0x3: Update PWM duty cycle every 8 PWM periods. 0x4: Update PWM duty cycle every 16 PWM periods. 0x5: Update PWM duty cycle every 32 PWM periods. 0x6: Update PWM duty cycle every 32 PWM periods. 0x7: Update PWM duty cycle every 32 PWM periods. 1 PWM period = 8,192 clock cycles by default (PWM period configured by bits [3:2] of register address 0x02) |

| BITFIELD | BITS | DESCRIPTION | DECODE |
|----------|------|----------------------------|--|
| TDIM_4 | 2:0 | LED4 Dimming Period Select | 0x0: Update PWM duty cycle every 1 PWM period. 0x1: Update PWM duty cycle every 2 PWM periods. 0x2: Update PWM duty cycle every 4 PWM periods. 0x3: Update PWM duty cycle every 8 PWM periods. 0x4: Update PWM duty cycle every 16 PWM periods. 0x5: Update PWM duty cycle every 32 PWM periods. 0x6: Update PWM duty cycle every 32 PWM periods. 0x7: Update PWM duty cycle every 32 PWM periods. 1 PWM period = 8,192 clock cycles by default (PWM period configured by bits [3:2] of register address 0x02) |

TDIM 9 8 7 (0x33)

TDIM_9_8_7 is a read/write register that controls the dimming period for LED drivers 9, 8, and 7.

| BIT | | 12 | 11 | 10 | 9 | 8 | | |
|-------------|---|-------------|----|----|-------------|-------------|---|---|
| Field | | – | – | | TDIM_9[2:0] | | | |
| Reset | | – | – | | 0b000 | | | |
| Access Type | | – | – | | Write, Read | | | |
| BIT | 7 | 6 | 5 | 4 | 3 | 2 | 1 | 0 |
| Field | – | TDIM_8[2:0] | | | – | TDIM_7[2:0] | | |
| Reset | – | 0b000 | | | – | 0b000 | | |
| Access Type | – | Write, Read | | | – | Write, Read | | |

| BITFIELD | BITS | DESCRIPTION | DECODE |
|----------|------|----------------------------|--|
| TDIM_9 | 10:8 | LED9 Dimming Period Select | 0x0: Update PWM duty cycle every 1 PWM period. 0x1: Update PWM duty cycle every 2 PWM periods. 0x2: Update PWM duty cycle every 4 PWM periods. 0x3: Update PWM duty cycle every 8 PWM periods. 0x4: Update PWM duty cycle every 16 PWM periods. 0x5: Update PWM duty cycle every 32 PWM periods. 0x6: Update PWM duty cycle every 32 PWM periods. 0x7: Update PWM duty cycle every 32 PWM periods. 1 PWM period = 8,192 clock cycles by default (PWM period configured by bits [3:2] of register address 0x02) |

| BITFIELD | BITS | DESCRIPTION | DECODE |
|----------|------|----------------------------|--|
| TDIM_8 | 6:4 | LED8 Dimming Period Select | 0x0: Update PWM duty cycle every 1 PWM period. 0x1: Update PWM duty cycle every 2 PWM periods. 0x2: Update PWM duty cycle every 4 PWM periods. 0x3: Update PWM duty cycle every 8 PWM periods. 0x4: Update PWM duty cycle every 16 PWM periods. 0x5: Update PWM duty cycle every 32 PWM periods. 0x6: Update PWM duty cycle every 32 PWM periods. 0x7: Update PWM duty cycle every 32 PWM periods. 1 PWM period = 8,192 clock cycles by default (PWM period configured by bits [3:2] of register address 0x02) |
| TDIM_7 | 2:0 | LED7 Dimming Period Select | 0x0: Update PWM duty cycle every 1 PWM period. 0x1: Update PWM duty cycle every 2 PWM periods. 0x2: Update PWM duty cycle every 4 PWM periods. 0x3: Update PWM duty cycle every 8 PWM periods. 0x4: Update PWM duty cycle every 16 PWM periods. 0x5: Update PWM duty cycle every 32 PWM periods. 0x6: Update PWM duty cycle every 32 PWM periods. 0x7: Update PWM duty cycle every 32 PWM periods. 1 PWM period = 8,192 clock cycles by default (PWM period configured by bits [3:2] of register address 0x02) |

TDIM_12_11_10 (0x34)

TDIM_12_11_10 is a read/write register that controls the dimming period for LED drivers 12, 11, and 10.

| BIT | | | | 12 | 11 | 10 | 9 | 8 |
|-------------|---|--------------|---|----|----|--------------|---|---|
| Field | | | | - | - | TDIM_12[2:0] | | |
| Reset | | | | - | - | 0b000 | | |
| Access Type | | | | - | - | Write, Read | | |
| BIT | 7 | 6 | 5 | 4 | 3 | 2 | 1 | 0 |
| Field | - | TDIM_11[2:0] | | | - | TDIM_10[2:0] | | |
| Reset | - | 0b000 | | | - | 0b000 | | |
| Access Type | - | Write, Read | | | - | Write, Read | | |

| BITFIELD | BITS | DESCRIPTION | DECODE |
|----------|------|-----------------------------|--|
| TDIM_12 | 10:8 | LED12 Dimming Period Select | 0x0: Update PWM duty cycle every 1 PWM period. 0x1: Update PWM duty cycle every 2 PWM periods. 0x2: Update PWM duty cycle every 4 PWM periods. 0x3: Update PWM duty cycle every 8 PWM periods. 0x4: Update PWM duty cycle every 16 PWM periods. 0x5: Update PWM duty cycle every 32 PWM periods. 0x6: Update PWM duty cycle every 32 PWM periods. 0x7: Update PWM duty cycle every 32 PWM periods. 1 PWM period = 8,192 clock cycles by default (PWM period configured by bits [3:2] of register address 0x02) |
| TDIM_11 | 6:4 | LED11 Dimming Period Select | 0x0: Update PWM duty cycle every 1 PWM period. 0x1: Update PWM duty cycle every 2 PWM periods. 0x2: Update PWM duty cycle every 4 PWM periods. 0x3: Update PWM duty cycle every 8 PWM periods. 0x4: Update PWM duty cycle every 16 PWM periods. 0x5: Update PWM duty cycle every 32 PWM periods. 0x6: Update PWM duty cycle every 32 PWM periods. 0x7: Update PWM duty cycle every 32 PWM periods. 1 PWM period = 8,192 clock cycles by default (PWM period configured by bits [3:2] of register address 0x02) |
| TDIM_10 | 2:0 | LED10 Dimming Period Select | 0x0: Update PWM duty cycle every 1 PWM period. 0x1: Update PWM duty cycle every 2 PWM periods. 0x2: Update PWM duty cycle every 4 PWM periods. 0x3: Update PWM duty cycle every 8 PWM periods. 0x4: Update PWM duty cycle every 16 PWM periods. 0x5: Update PWM duty cycle every 32 PWM periods. 0x6: Update PWM duty cycle every 32 PWM periods. 0x7: Update PWM duty cycle every 32 PWM periods. 1 PWM period = 8,192 clock cycles by default (PWM period configured by bits [3:2] of register address 0x02) |

PWM_GRP_A_DUTY (0x40)

PWM_GRP_A_DUTY is a read/write register that allows the user to assign the same duty cycle and enable/disable PWM

dimming to one or more LED drivers.

The contents of DUTY_A are written to LEDs assigned to Group A.

Example:

If DUTY_A == 0x0AA and LED11, LED8, and LED5 are assigned to Group A (through CNFG_GRP A), then DUTY_11, DUTY_8, and DUTY_5 contain 0x0AA after the transaction is executed.

| | | | | | | | | |
|--------------------|-------------|---|----------|-------------|-------------------------------|-----------|----------|----------|
| BIT | | | | 12 | 11 | 10 | 9 | 8 |
| Field | | | | FADE_A | DUTY_A[11:8] | | | |
| Reset | | | | 0b0 | 0x000 | | | |
| Access Type | | | | Write, Read | Write, Read | | | |
| BIT | 7 | 6 | 5 | 4 | 3 | 2 | 1 | 0 |
| Field | DUTY_A[7:0] | | | | | | | |
| Reset | 0x000 | | | | | | | |
| Access Type | Write, Read | | | | | | | |
| BITFIELD | BITS | DESCRIPTION | | | DECODE | | | |
| FADE_A | 12 | Group A PWM Dimming Enable | | | 0x0: Disabled 0x1: Enabled | | | |
| DUTY_A | 11:0 | Group A Duty-Cycle Selection: 0x000 = Off 0x001 = 1/4,095 duty cycle ... 0xff = 100% duty cycle | | | | | | |

PWM_GRP B_DUTY (0x41)

PWM_GRP B_DUTY is a read/write register that allows the user to assign the same duty cycle and enable/disable PWM dimming to one or more LED drivers.

The contents of DUTY_B are written to LEDs assigned to Group B.

Example:

If DUTY_B == 0x0AA and LED11, LED9, and LED6 are assigned to Group B (through CNFG_GRP B), then DUTY_11, DUTY_9, and DUTY_6 contain 0x0AA after the transaction is executed.

| | | | | | | | | |
|--------------------|-------------|----------------------------|----------|-------------|-------------------------------|-----------|----------|----------|
| BIT | | | | 12 | 11 | 10 | 9 | 8 |
| Field | | | | FADE_B | DUTY_B[11:8] | | | |
| Reset | | | | 0b0 | 0x000 | | | |
| Access Type | | | | Write, Read | Write, Read | | | |
| BIT | 7 | 6 | 5 | 4 | 3 | 2 | 1 | 0 |
| Field | DUTY_B[7:0] | | | | | | | |
| Reset | 0x000 | | | | | | | |
| Access Type | Write, Read | | | | | | | |
| BITFIELD | BITS | DESCRIPTION | | | DECODE | | | |
| FADE_B | 12 | Group B PWM Dimming Enable | | | 0x0: Enabled 0x1: Disabled | | | |

| BITFIELD | BITS | DESCRIPTION | DECODE |
|----------|------|---|--------|
| DUTY_B | 11:0 | Group B Duty-Cycle Selection: 0x000 = Off 0x001 = 1/4,095 duty cycle ... 0xff = 100% duty cycle | |

PWM1 (0x42)

PWM1 is a read/write register that configures the LED1 duty cycle and enables/disables PWM dimming.

| BIT | | | | 12 | 11 | 10 | 9 | 8 |
|-------------|-------------|---|---|-------------|--------------|----|---|---|
| Field | | | | FADE_1 | DUTY_1[11:8] | | | |
| Reset | | | | 0b0 | 0x000 | | | |
| Access Type | | | | Write, Read | Write, Read | | | |
| BIT | 7 | 6 | 5 | 4 | 3 | 2 | 1 | 0 |
| Field | DUTY_1[7:0] | | | | | | | |
| Reset | 0x000 | | | | | | | |
| Access Type | Write, Read | | | | | | | |

| BITFIELD | BITS | DESCRIPTION | DECODE |
|----------|------|--|-------------------------------|
| FADE_1 | 12 | LED1 PWM Dimming Enable | 0x0: Enabled 0x1: Disabled |
| DUTY_1 | 11:0 | LED1 Duty-Cycle Selection: 0x000 = Off 0x001 = 1/4,095 duty cycle ... 0xff = 100% duty cycle | |

PWM2 (0x43)

PWM2 is a read/write register that configures the LED2 duty cycle and enables/disables PWM dimming.

| BIT | | | | 12 | 11 | 10 | 9 | 8 |
|-------------|-------------|---|---|-------------|--------------|----|---|---|
| Field | | | | FADE_2 | DUTY_2[11:8] | | | |
| Reset | | | | 0b0 | 0x000 | | | |
| Access Type | | | | Write, Read | Write, Read | | | |
| BIT | 7 | 6 | 5 | 4 | 3 | 2 | 1 | 0 |
| Field | DUTY_2[7:0] | | | | | | | |
| Reset | 0x000 | | | | | | | |
| Access Type | Write, Read | | | | | | | |

| BITFIELD | BITS | DESCRIPTION | DECODE |
|----------|------|-------------------------|-------------------------------|
| FADE_2 | 12 | LED2 PWM Dimming Enable | 0x0: Enabled 0x1: Disabled |

| BITFIELD | BITS | DESCRIPTION | DECODE |
|----------|------|--|--------|
| DUTY_2 | 11:0 | LED2 Duty-Cycle Selection: 0x000 = Off 0x001 = 1/4,095 duty cycle ... 0xff = 100% duty cycle | |

PWM3 (0x44)

PWM3 is a read/write register that configures the LED3 duty cycle and enables/disables PWM dimming.

| BIT | 12 | 11 | 10 | 9 | 8 | | | |
|-------------|-------------|--------------|----|---|---|---|---|---|
| Field | FADE_3 | DUTY_3[11:8] | | | | | | |
| Reset | 0b0 | 0x000 | | | | | | |
| Access Type | Write, Read | Write, Read | | | | | | |
| BIT | 7 | 6 | 5 | 4 | 3 | 2 | 1 | 0 |
| Field | DUTY_3[7:0] | | | | | | | |
| Reset | 0x000 | | | | | | | |
| Access Type | Write, Read | | | | | | | |

| BITFIELD | BITS | DESCRIPTION | DECODE |
|----------|------|--|-------------------------------|
| FADE_3 | 12 | LED3 PWM Dimming Enable | 0x0: Enabled 0x1: Disabled |
| DUTY_3 | 11:0 | LED3 Duty-Cycle Selection: 0x000 = Off 0x001 = 1/4,095 duty cycle ... 0xff = 100% duty cycle | |

PWM4 (0x45)

PWM4 is a read/write register that configures the LED4 duty cycle and enables/disables PWM dimming.

| BIT | 12 | 11 | 10 | 9 | 8 | | | |
|-------------|-------------|--------------|----|---|---|---|---|---|
| Field | FADE_4 | DUTY_4[11:8] | | | | | | |
| Reset | 0b0 | 0x000 | | | | | | |
| Access Type | Write, Read | Write, Read | | | | | | |
| BIT | 7 | 6 | 5 | 4 | 3 | 2 | 1 | 0 |
| Field | DUTY_4[7:0] | | | | | | | |
| Reset | 0x000 | | | | | | | |
| Access Type | Write, Read | | | | | | | |

| BITFIELD | BITS | DESCRIPTION | DECODE |
|----------|------|-------------------------|-------------------------------|
| FADE_4 | 12 | LED4 PWM Dimming Enable | 0x0: Enabled 0x1: Disabled |

| BITFIELD | BITS | DESCRIPTION | DECODE |
|----------|------|--|--------|
| DUTY_4 | 11:0 | LED4 Duty-Cycle Selection: 0x000 = Off 0x001 = 1/4,095 duty cycle ... 0xff = 100% duty cycle | |

PWM5 (0x46)

PWM5 is a read/write register that configures the LED5 duty cycle and enables/disables PWM dimming.

| BIT | | | | 12 | 11 | 10 | 9 | 8 |
|-------------|-------------|---|---|-------------|--------------|----|---|---|
| Field | | | | FADE_5 | DUTY_5[11:8] | | | |
| Reset | | | | 0b0 | 0x000 | | | |
| Access Type | | | | Write, Read | Write, Read | | | |
| BIT | 7 | 6 | 5 | 4 | 3 | 2 | 1 | 0 |
| Field | DUTY_5[7:0] | | | | | | | |
| Reset | 0x000 | | | | | | | |
| Access Type | Write, Read | | | | | | | |

| BITFIELD | BITS | DESCRIPTION | DECODE |
|----------|------|--|-------------------------------|
| FADE_5 | 12 | LED5 PWM Dimming Enable | 0x0: Enabled 0x1: Disabled |
| DUTY_5 | 11:0 | LED5 Duty-Cycle Selection: 0x000 = Off 0x001 = 1/4,095 duty cycle ... 0xff = 100% duty cycle | |

PWM6 (0x47)

PWM6 is a read/write register that configures the LED6 duty cycle and enables/disables PWM dimming.

| BIT | | | | 12 | 11 | 10 | 9 | 8 |
|-------------|-------------|---|---|-------------|--------------|----|---|---|
| Field | | | | FADE_6 | DUTY_6[11:8] | | | |
| Reset | | | | 0b0 | 0x000 | | | |
| Access Type | | | | Write, Read | Write, Read | | | |
| BIT | 7 | 6 | 5 | 4 | 3 | 2 | 1 | 0 |
| Field | DUTY_6[7:0] | | | | | | | |
| Reset | 0x000 | | | | | | | |
| Access Type | Write, Read | | | | | | | |

| BITFIELD | BITS | DESCRIPTION | DECODE |
|----------|------|-------------------------|-------------------------------|
| FADE_6 | 12 | LED6 PWM Dimming Enable | 0x0: Enabled 0x1: Disabled |

| BITFIELD | BITS | DESCRIPTION | DECODE |
|----------|------|--|--------|
| DUTY_6 | 11:0 | LED6 Duty-Cycle Selection: 0x000 = Off 0x001 = 1/4,095 duty cycle ... 0xff = 100% duty cycle | |

PWM7 (0x48)

PWM7 is a read/write register that configures the LED7 duty cycle and enables/disables PWM dimming.

| BIT | 12 | 11 | 10 | 9 | 8 | | | |
|-------------|-------------|--------------|----|---|---|---|---|---|
| Field | FADE_7 | DUTY_7[11:8] | | | | | | |
| Reset | 0b0 | 0x000 | | | | | | |
| Access Type | Write, Read | Write, Read | | | | | | |
| BIT | 7 | 6 | 5 | 4 | 3 | 2 | 1 | 0 |
| Field | DUTY_7[7:0] | | | | | | | |
| Reset | 0x000 | | | | | | | |
| Access Type | Write, Read | | | | | | | |

| BITFIELD | BITS | DESCRIPTION | DECODE |
|----------|------|--|-------------------------------|
| FADE_7 | 12 | LED7 PWM Dimming Enable | 0x0: Enabled 0x1: Disabled |
| DUTY_7 | 11:0 | LED7 Duty-Cycle Selection: 0x000 = Off 0x001 = 1/4,095 duty cycle ... 0xff = 100% duty cycle | |

PWM8 (0x49)

PWM8 is a read/write register that configures the LED8 duty cycle and enables/disables PWM dimming.

| BIT | 12 | 11 | 10 | 9 | 8 | | | |
|-------------|-------------|--------------|----|---|---|---|---|---|
| Field | FADE_8 | DUTY_8[11:8] | | | | | | |
| Reset | 0b0 | 0x000 | | | | | | |
| Access Type | Write, Read | Write, Read | | | | | | |
| BIT | 7 | 6 | 5 | 4 | 3 | 2 | 1 | 0 |
| Field | DUTY_8[7:0] | | | | | | | |
| Reset | 0x000 | | | | | | | |
| Access Type | Write, Read | | | | | | | |

| BITFIELD | BITS | DESCRIPTION | DECODE |
|----------|------|-------------------------|-------------------------------|
| FADE_8 | 12 | LED8 PWM Dimming Enable | 0x0: Enabled 0x1: Disabled |

| BITFIELD | BITS | DESCRIPTION | DECODE |
|----------|------|--|--------|
| DUTY_8 | 11:0 | LED8 Duty-Cycle Selection: 0x000 = Off 0x001 = 1/4,095 duty cycle ... 0xff = 100% duty cycle | |

PWM9 (0x4A)

PWM9 is a read/write register that configures the LED9 duty cycle and enables/disables PWM dimming.

| BIT | | | | 12 | 11 | 10 | 9 | 8 |
|-------------|-------------|---|---|-------------|--------------|----|---|---|
| Field | | | | FADE_9 | DUTY_9[11:8] | | | |
| Reset | | | | 0b0 | 0x000 | | | |
| Access Type | | | | Write, Read | Write, Read | | | |
| BIT | 7 | 6 | 5 | 4 | 3 | 2 | 1 | 0 |
| Field | DUTY_9[7:0] | | | | | | | |
| Reset | 0x000 | | | | | | | |
| Access Type | Write, Read | | | | | | | |

| BITFIELD | BITS | DESCRIPTION | DECODE |
|----------|------|--|-------------------------------|
| FADE_9 | 12 | LED9 PWM Dimming Enable | 0x0: Enabled 0x1: Disabled |
| DUTY_9 | 11:0 | LED9 Duty-Cycle Selection: 0x000 = Off 0x001 = 1/4,095 duty cycle ... 0xff = 100% duty cycle | |

PWM10 (0x4B)

PWM10 is a read/write register that configures the LED10 duty cycle and enables/disables PWM dimming.

| BIT | | | | 12 | 11 | 10 | 9 | 8 |
|-------------|--------------|---|---|-------------|---------------|----|---|---|
| Field | | | | FADE_10 | DUTY_10[11:8] | | | |
| Reset | | | | 0b0 | 0x000 | | | |
| Access Type | | | | Write, Read | Write, Read | | | |
| BIT | 7 | 6 | 5 | 4 | 3 | 2 | 1 | 0 |
| Field | DUTY_10[7:0] | | | | | | | |
| Reset | 0x000 | | | | | | | |
| Access Type | Write, Read | | | | | | | |

| BITFIELD | BITS | DESCRIPTION | DECODE |
|----------|------|--------------------------|-------------------------------|
| FADE_10 | 12 | LED10 PWM Dimming Enable | 0x0: Enabled 0x1: Disabled |

| BITFIELD | BITS | DESCRIPTION | DECODE |
|----------|------|---|--------|
| DUTY_10 | 11:0 | LED10 Duty-Cycle Selection: 0x000 = Off 0x001 = 1/4,095 duty cycle ... 0xff = 100% duty cycle | |

PWM11 (0x4C)

PWM11 is a read/write register that configures the LED11 duty cycle and enables/disables PWM dimming.

| BIT | | | | 12 | 11 | 10 | 9 | 8 |
|-------------|--------------|---|---|-------------|---------------|----|---|---|
| Field | | | | FADE_11 | DUTY_11[11:8] | | | |
| Reset | | | | 0b0 | 0x000 | | | |
| Access Type | | | | Write, Read | Write, Read | | | |
| BIT | 7 | 6 | 5 | 4 | 3 | 2 | 1 | 0 |
| Field | DUTY_11[7:0] | | | | | | | |
| Reset | 0x000 | | | | | | | |
| Access Type | Write, Read | | | | | | | |

| BITFIELD | BITS | DESCRIPTION | DECODE |
|----------|------|---|-------------------------------|
| FADE_11 | 12 | LED11 PWM Dimming Enable | 0x0: Enabled 0x1: Disabled |
| DUTY_11 | 11:0 | LED11 Duty-Cycle Selection: 0x000 = Off 0x001 = 1/4,095 duty cycle ... 0xff = 100% duty cycle | |

PWM12 (0x4D)

PWM12 is a read/write register that configures the LED12 duty cycle and enables/disables PWM dimming.

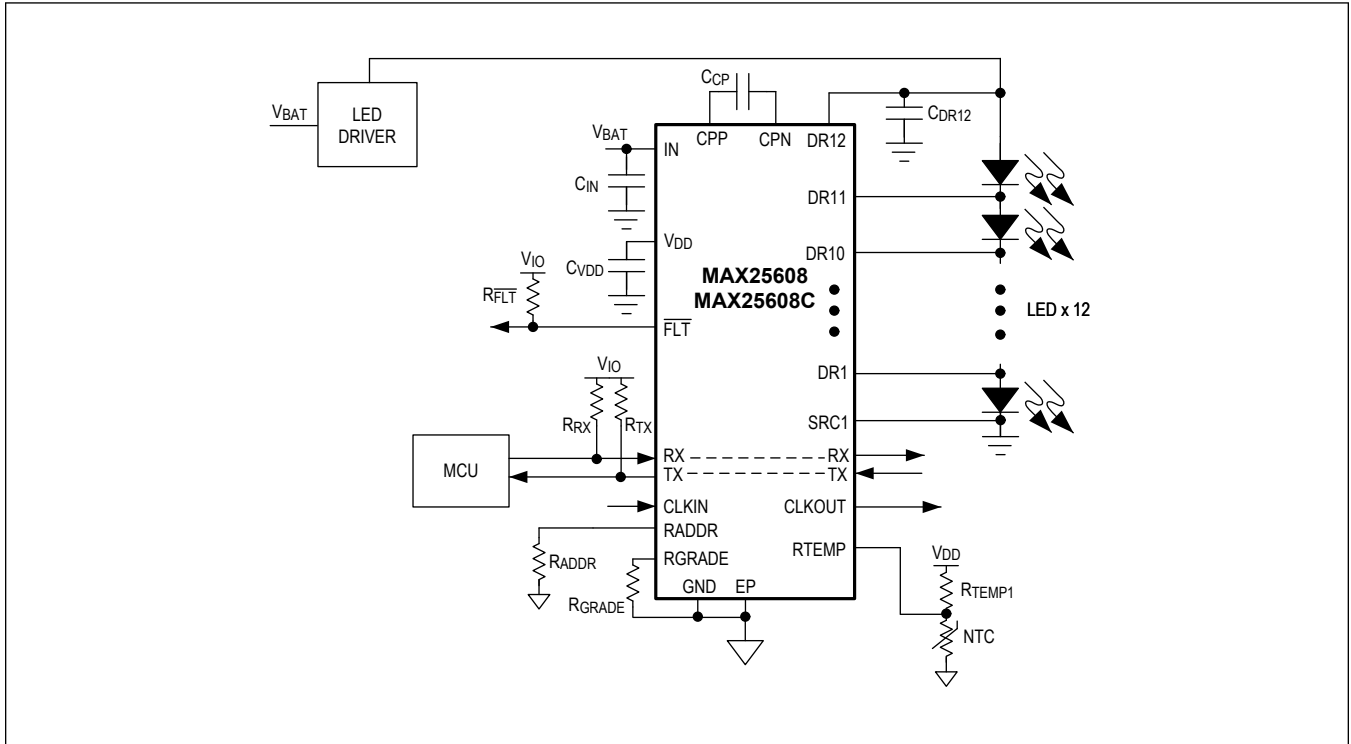
| BIT | | | | 12 | 11 | 10 | 9 | 8 |
|-------------|--------------|---|---|-------------|---------------|----|---|---|
| Field | | | | FADE_12 | DUTY_12[11:8] | | | |
| Reset | | | | 0b0 | 0x000 | | | |
| Access Type | | | | Write, Read | Write, Read | | | |
| BIT | 7 | 6 | 5 | 4 | 3 | 2 | 1 | 0 |
| Field | DUTY_12[7:0] | | | | | | | |
| Reset | 0x000 | | | | | | | |
| Access Type | Write, Read | | | | | | | |

| BITFIELD | BITS | DESCRIPTION | DECODE |
|----------|------|--------------------------|-------------------------------|
| FADE_12 | 12 | LED12 PWM Dimming Enable | 0x0: Enabled 0x1: Disabled |

| BITFIELD | BITS | DESCRIPTION | DECODE |
|----------|------|---|--------|
| DUTY_12 | 11:0 | LED12 Duty-Cycle Selection: 0x000 = Off 0x001 = 1/4,095 duty cycle ... 0xff = 100% duty cycle | |

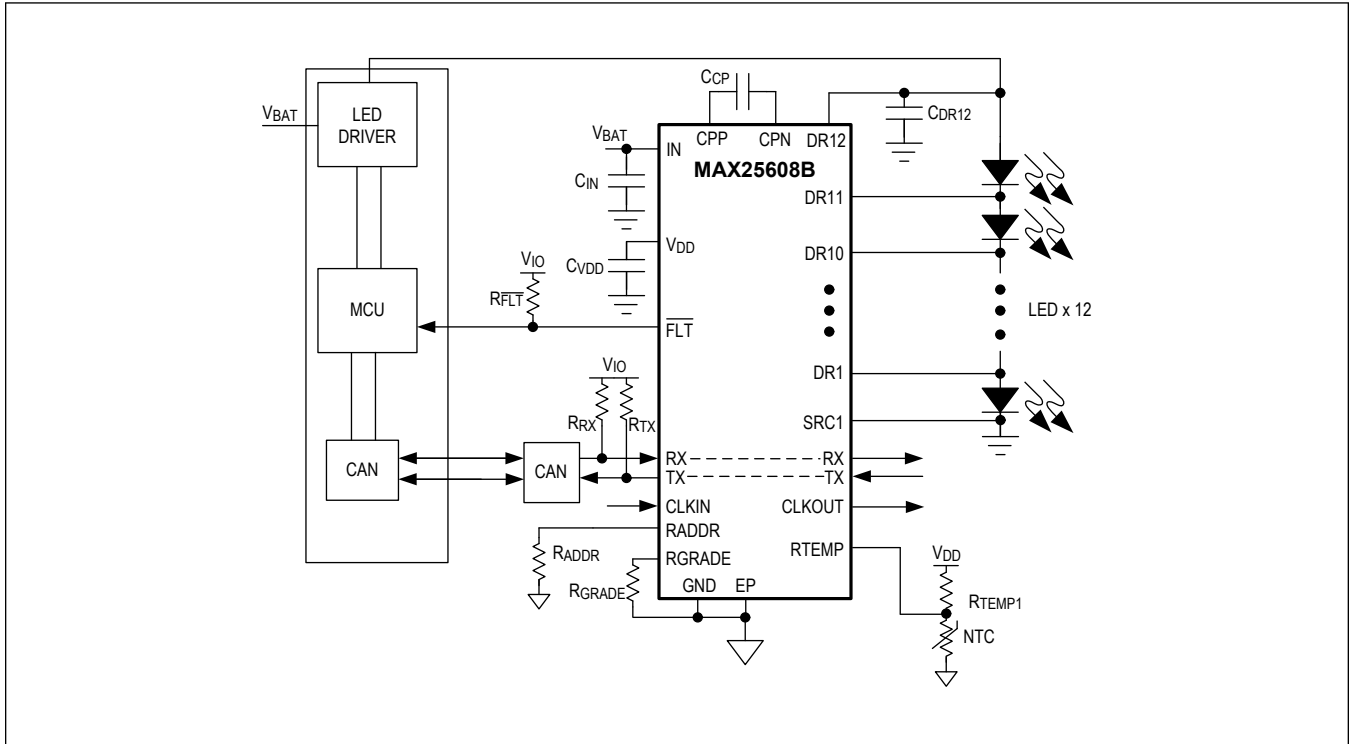
Typical Application Circuits

MAX25608/MAX25608C



Typical Application Circuits (continued)

MAX25608B



Ordering Information

| PART NUMBER | TEMP RANGE | UART COMMUNICATION | SPREAD SPECTRUM | PIN-PACKAGE |
|-----------------|-----------------|--------------------|-----------------|--------------|
| MAX25608AUI/V+ | -40°C to +125°C | Full duplex | Enabled | 28 TSSOP-EP* |
| MAX25608BAUI/V+ | -40°C to +125°C | Half duplex | Disabled | 28 TSSOP-EP* |
| MAX25608CAUI/V+ | -40°C to +125°C | Full duplex | Disabled | 28 TSSOP-EP* |

+Denotes a lead(Pb)-free/RoHS-compliant package.

/V Denotes an automotive-qualified part.

*EP = Exposed pad.

Revision History

| REVISION NUMBER | REVISION DATE | DESCRIPTION | PAGES CHANGED |
|-----------------|---------------|--|--|
| 0 | 8/21 | Release for Market Intro | — |
| 1 | 8/22 | Added MAX25608B/MAX25608C in text and diagrams | 1, 8–15, 17, 19–26, 30–32, 36, 38–43, 49, 63, 64 |
| 2 | 9/22 | Updated Ordering Information table | 64 |
| 3 | 10/22 | Updated Electrical Characteristics table, Pin Descriptions, and Detailed Description | 8, 10, 14, 19, 21, 24 |