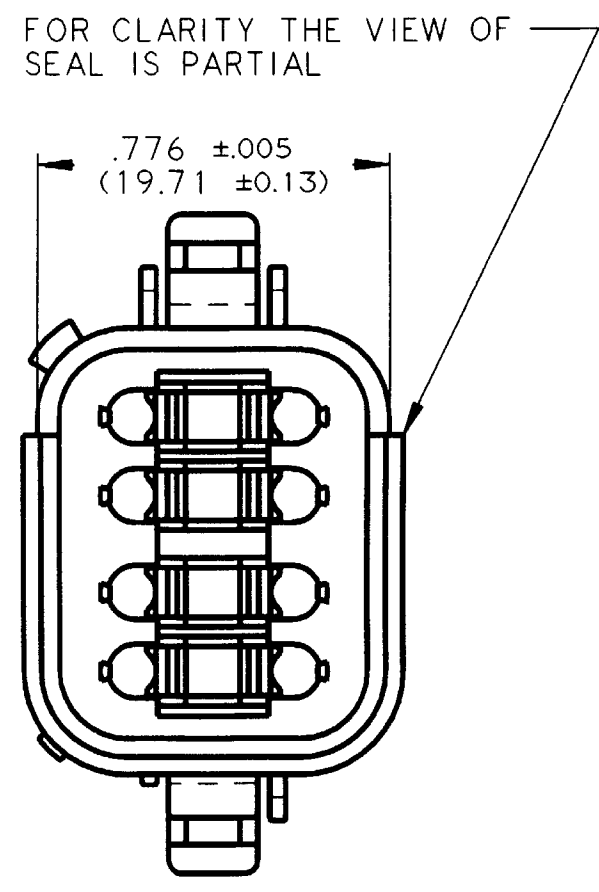
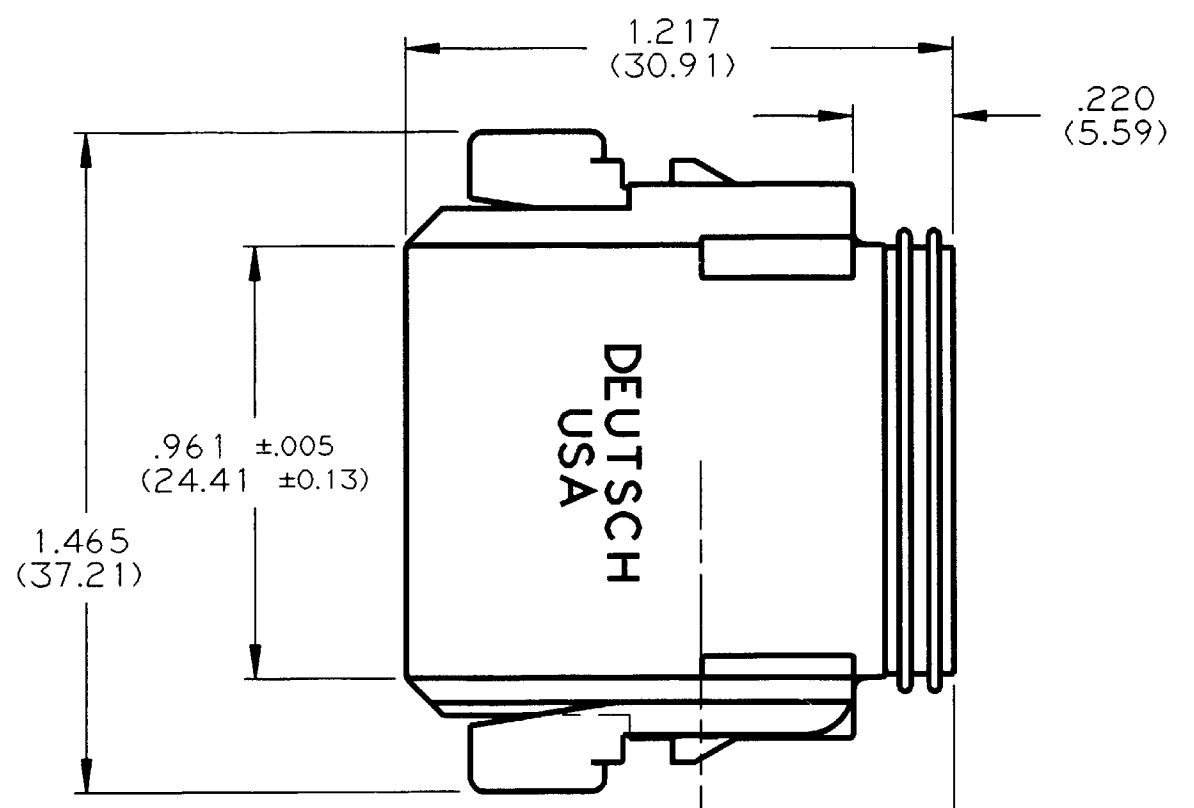
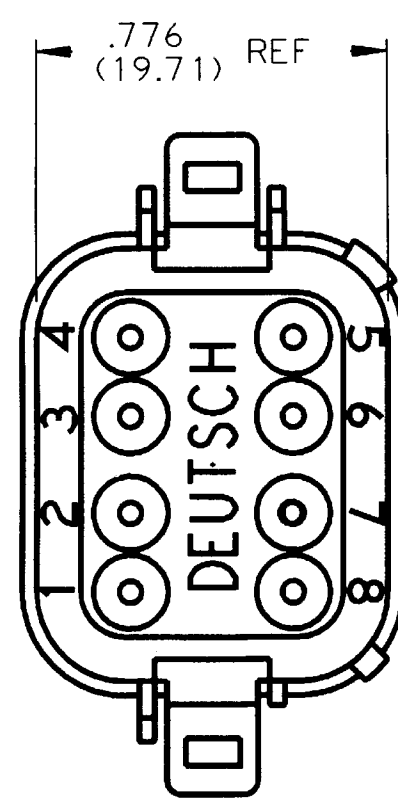


REV
E DT06-08SA

REVISIONS			
SYM	DESCRIPTION	DATE	APPROVED
C	REVISED AND REDRAWN PER E.O. A09284	12/2/89	J.A.
D	REVISED PER E.O. A09335	9/6/90	J.A.
E	REVISED PER E.O. P15019	4-4-96	ADR



.562 (14.27)
PLUG INSERTS INTO RECEPT.
WITHIN THIS DISTANCE.

- NOTES:
1. ALL DIMENSIONS ARE IN INCHES (METRIC).
 2. ALL DIMENSIONS ARE ±.025 (0.63) UNLESS OTHERWISE SPECIFIED.
 3. CONSULT FACTORY FOR CONTACT SPECIFICATION AND APPLICATION.
 4. FOR MORE INFO SEE ENVELOPE DWG. 0425-017-0000 AND 0425-015-0000.

SIGNATURE & DATE	
DR	C. WOODRUFF 05 JUL 90
CHK	
PE	<i>W. J. Tomlin</i> Feb 14 '96
APPD	<i>A. R. R.</i> 4-4-96
SCALE	NONE
WT	

8 WAY PLUG
KEY ARGM. -A-
COLOR: GREY
D.T. SERIES

ENVELOPE

CP	MATL CODE
The Deutsch Company DEUTSCH I.P.D. 37140 INDUSTRIAL AVE. HEMET, CALIF. 92343	
DT06-08SA	
DWG SIZE	CODE 11139 SHEET 1 OF 1