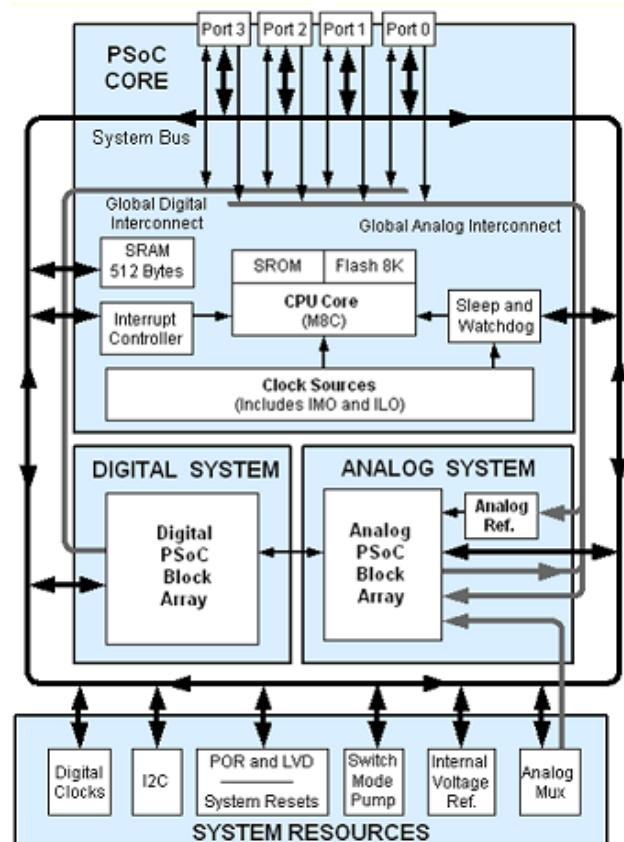


## Features

- Powerful Harvard-architecture processor
  - M8C processor speeds up to 24 MHz
  - Low power at high speed
  - Operating voltage: 2.4 V to 5.25 V
  - Operating voltages down to 1.0 V using on-chip switch mode pump (SMP)
  - Industrial temperature range: -40 °C to +85 °C
- Advanced peripherals (PSoC® blocks)
  - Four analog Type E PSoC blocks provide:
    - Two comparators with digital-to-analog converter (DAC) references
    - Single or dual 10-bit 28 channel analog-to-digital converters (ADC)
  - Four digital PSoC blocks provide:
    - 8- to 32-bit timers, counters, and pulse width modulators (PWMs)
    - Cyclical redundancy check (CRC) and pseudo random sequence (PRS) modules
    - Full-duplex universal asynchronous receiver transmitter (UART), serial peripheral interface (SPI) master or slave
    - Connectable to all general purpose I/O (GPIO) pins
  - Complex peripherals by combining blocks
- Flexible on-chip memory
  - 8 KB flash program storage 50,000 erase/write cycles
  - 512 bytes static random access memory (SRAM) data storage
  - In-system serial programming (ISSP)
  - Partial flash updates
  - Flexible protection modes
  - EEPROM emulation in flash
- Complete development tools
  - Free development software (PSoC Designer™)
  - Full-featured, in-circuit emulator (ICE) and programmer
  - Full-speed emulation
  - Complex breakpoint structure
  - 128-KB trace memory
- Precision, programmable clocking
  - Internal ±2.5% 24- / 48-MHz main oscillator [1]
  - Internal oscillator for watchdog and sleep
- Programmable pin configurations
  - 25-mA sink, 10-mA source on all GPIOs
  - Pull-up, pull-down, high Z, strong, or open-drain drive modes on all GPIOs

- Up to eight analog inputs on GPIOs
- Configurable interrupt on all GPIOs
- Versatile analog mux
  - Common internal analog bus
  - Simultaneous connection of I/O combinations
  - Capacitive sensing application capability
- Additional system resources
  - I<sup>2</sup>C [2] master, slave, and multi-master to 400 kHz
  - Watchdog and sleep timers
  - User-configurable low-voltage detection (LVD)
  - Integrated supervisory circuit
  - On-chip precision voltage reference

## Logic Block Diagram



**Errata:** For information on silicon errata, see "Errata" on page 50. Details include trigger conditions, devices affected, and proposed workaround.

### Notes

1. **Errata:** The worst case IMO frequency deviation when operated below 0 °C and above +70 °C and within the upper and lower datasheet temperature range is ±5%.
2. **Errata:** The I<sup>2</sup>C block exhibits occasional data and bus corruption errors when the I<sup>2</sup>C master initiates transactions while the device is transitioning in to or out of sleep mode.

## More Information

Cypress provides a wealth of data at [www.cypress.com](http://www.cypress.com) to help you to select the right PSoC device for your design, and to help you to quickly and effectively integrate the device into your design. For a comprehensive list of resources, see the knowledge base article, [How to Design with PSoC® 1, PowerPSoC®, and PLC – KBA88292](#). Following is an abbreviated list for PSoC 1:

- Overview: PSoC Portfolio, PSoC Roadmap
- Product Selectors: [PSoC 1](#), [PSoC 3](#), [PSoC 4](#), [PSoC 5LP](#)
- In addition, PSoC Designer includes a device selection tool.
- Application notes: Cypress offers a large number of PSoC application notes covering a broad range of topics, from basic to advanced level. Recommended application notes for getting started with PSoC 1 are:
  - [Getting Started with PSoC® 1 – AN75320](#)
  - [PSoC® 1 - Getting Started with GPIO – AN2094](#)
  - [PSoC® 1 Analog Structure and Configuration – AN74170](#)
  - [PSoC® 1 Switched Capacitor Analog Blocks – AN2041](#)
  - [Selecting Analog Ground and Reference – AN2219](#)

**Note:** For CY8C21x34B devices related Application note please click [here](#).

- Development Kits:
  - [CY3210-PSoCEval1](#) supports all PSoC 1 Mixed-Signal Array families, including automotive, except CY8C25/26xxx devices. The kit includes an LCD module, potentiometer, LEDs, and breadboarding space.
  - [CY3214-PSoCEvalUSB](#) features a development board for the CY8C24x94 PSoC device. Special features of the board include USB and CapSense development and debugging support.

**Note:** For CY8C21x34B devices related Development Kits please click [here](#).

The [MiniProg1](#) and [MiniProg3](#) devices provide interfaces for flash programming and debug.

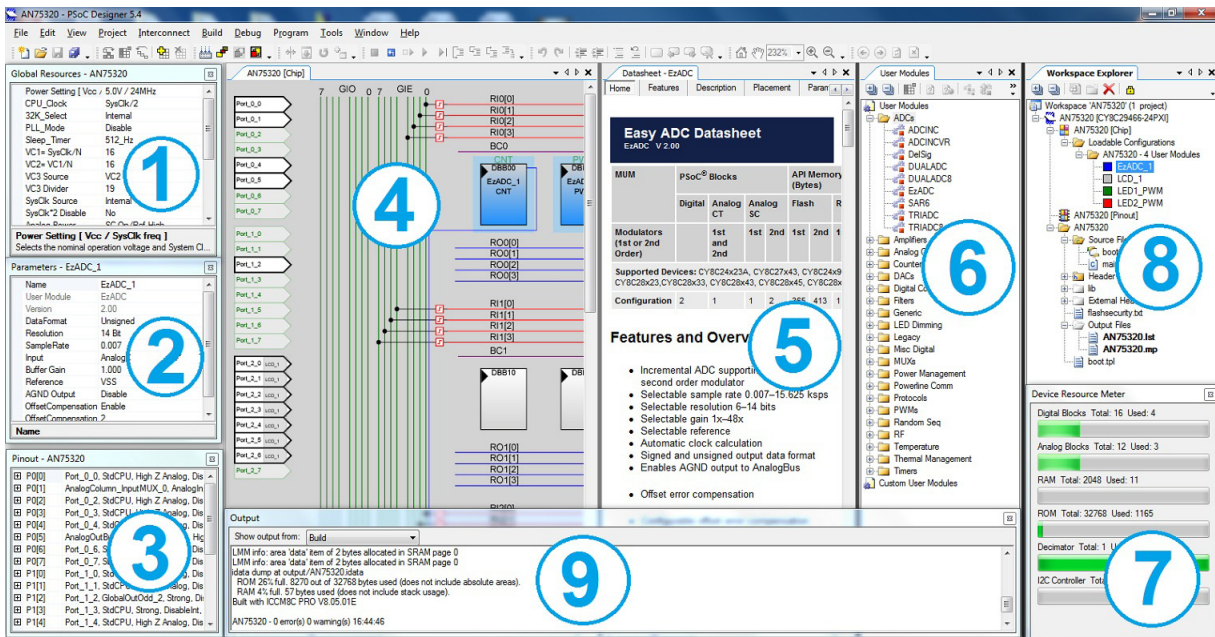
## PSoC Designer

[PSoC Designer](#) is a free Windows-based Integrated Design Environment (IDE). Develop your applications using a library of pre-characterized analog and digital peripherals in a drag-and-drop design environment. Then, customize your design leveraging the dynamically generated API libraries of code. [Figure 1](#) shows PSoC Designer windows. **Note:** This is not the default view.

1. **Global Resources** – all device hardware settings.
2. **Parameters** – the parameters of the currently selected User Modules.
3. **Pinout** – information related to device pins.
4. **Chip-Level Editor** – a diagram of the resources available on the selected chip.
5. **Datasheet** – the datasheet for the currently selected UM
6. **User Modules** – all available User Modules for the selected device.
7. **Device Resource Meter** – device resource usage for the current project configuration.
8. **Workspace** – a tree level diagram of files associated with the project.
9. **Output** – output from project build and debug operations.

**Note:** For detailed information on PSoC Designer, go to [PSoC® Designer > Help > Documentation > Designer Specific Documents > IDE User Guide](#).

Figure 1. PSoC Designer Layout



## Contents

<b>PSoC Functional Overview</b> .....	<b>4</b>	<b>Absolute Maximum Ratings</b> .....	<b>20</b>
The PSoC Core .....	4	<b>Operating Temperature</b> .....	<b>20</b>
The Digital System .....	4	<b>Electrical Specifications</b> .....	<b>21</b>
The Analog System .....	5	DC Electrical Characteristics .....	21
Additional System Resources .....	5	AC Electrical Characteristics .....	27
PSoC Device Characteristics .....	6	<b>Packaging Information</b> .....	<b>35</b>
<b>Getting Started</b> .....	<b>6</b>	Thermal Impedances .....	39
Application Notes .....	6	Solder Reflow Specifications .....	39
Development Kits .....	6	<b>Development Tool Selection</b> .....	<b>40</b>
Training .....	6	Software .....	40
CYPros Consultants .....	6	Development Kits .....	40
Solutions Library .....	6	Evaluation Tools .....	40
Technical Support .....	6	Device Programmers .....	41
<b>Development Tools</b> .....	<b>7</b>	Accessories (Emulation and Programming) .....	41
PSoC Designer Software Subsystems .....	7	<b>Ordering Information</b> .....	<b>42</b>
<b>Designing with PSoC Designer</b> .....	<b>8</b>	Ordering Code Definitions .....	43
Select User Modules .....	8	<b>Acronyms</b> .....	<b>44</b>
Configure User Modules .....	8	<b>Reference Documents</b> .....	<b>44</b>
Organize and Connect .....	8	<b>Document Conventions</b> .....	<b>45</b>
Generate, Verify, and Debug .....	8	Units of Measure .....	45
<b>Pin Information</b> .....	<b>9</b>	Numeric Conventions .....	45
16-pin Part Pinout .....	9	<b>Glossary</b> .....	<b>45</b>
CY8C21234 16-pin SOIC Pin Definitions .....	9	<b>Errata</b> .....	<b>50</b>
20-pin Part Pinout .....	10	Part Numbers Affected .....	50
CY8C21334 20-pin SSOP Pin Definitions .....	10	CY8C21X34 Qualification Status .....	50
28-pin Part Pinout .....	11	CY8C21X34 Errata Summary .....	51
CY8C21534 28-pin SSOP Pin Definitions .....	11	<b>Document History Page</b> .....	<b>52</b>
32-pin Part Pinout .....	12	<b>Sales, Solutions, and Legal Information</b> .....	<b>60</b>
CY8C21434/CY8C21634 .....		Worldwide Sales and Design Support .....	60
32-pin QFN Pin Definitions .....	14	Products .....	60
56-pin Part Pinout .....	15	PSoC® Solutions .....	60
CY8C21001 56-pin SSOP Pin Definitions .....	15	Cypress Developer Community .....	60
<b>Register Reference</b> .....	<b>17</b>	Technical Support .....	60
Register Conventions .....	17		
Register Mapping Tables .....	17		

## PSoC Functional Overview

The PSoC family consists of many devices with on-chip controllers. These devices are designed to replace multiple traditional MCU-based system components with one low-cost single-chip programmable component. A PSoC device includes configurable blocks of analog and digital logic, and programmable interconnect. This architecture makes it possible for you to create customized peripheral configurations, to match the requirements of each individual application. Additionally, a fast central processing unit (CPU), flash program memory, SRAM data memory, and configurable I/O are included in a range of convenient pinouts.

The PSoC architecture, shown in Figure 2, consists of four main areas: the core, the system resources, the digital system, and the analog system. Configurable global bus resources allow combining all of the device resources into a complete custom system. Each CY8C21x34 PSoC device includes four digital blocks and four analog blocks. Depending on the PSoC package, up to 28 GPIOs are also included. The GPIOs provide access to the global digital and analog interconnects.

### The PSoC Core

The PSoC core is a powerful engine that supports a rich instruction set. It encompasses SRAM for data storage, an interrupt controller, sleep and watchdog timers, and internal main oscillator (IMO) and internal low speed oscillator (ILO). The CPU core, called the M8C, is a powerful processor with speeds up to 24 MHz [3]. The M8C is a four-million instructions per second (MIPS) 8-bit Harvard-architecture microprocessor.

System resources provide these additional capabilities:

- Digital clocks for increased flexibility
- I<sup>2</sup>C [4] functionality to implement an I<sup>2</sup>C master and slave
- An internal voltage reference, multi-master, that provides an absolute value of 1.3 V to a number of PSoC subsystems
- A SMP that generates normal operating voltages from a single battery cell
- Various system resets supported by the M8C

The digital system consists of an array of digital PSoC blocks that may be configured into any number of digital peripherals. The digital blocks are connected to the GPIOs through a series of global buses. These buses can route any signal to any pin, freeing designs from the constraints of a fixed peripheral controller.

The analog system consists of four analog PSoC blocks, supporting comparators, and analog-to-digital conversion up to 10 bits of precision.

## The Digital System

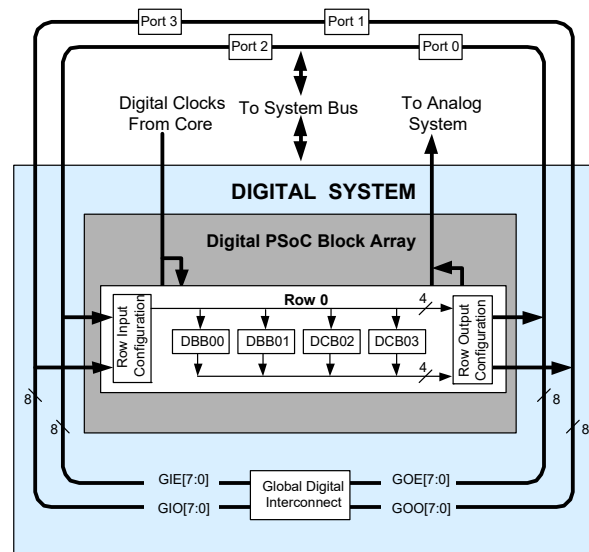
The digital system consists of four digital PSoC blocks. Each block is an 8-bit resource that is used alone or combined with other blocks to form 8-, 16-, 24-, and 32-bit peripherals, which are called user modules. Digital peripheral configurations include:

- PWMs (8- to 32-bit)
- PWMs with dead band (8- to 32-bit)
- Counters (8- to 32-bit)
- Timers (8- to 32-bit)
- UART 8- with selectable parity
- Serial peripheral interface (SPI) master and slave
- I<sup>2</sup>C slave and multi-master [4]
- CRC/generator (8-bit)
- IrDA
- PRS generators (8-bit to 32-bit)

The digital blocks are connected to any GPIO through a series of global buses that can route any signal to any pin. The buses also allow for signal multiplexing and for performing logic operations. This configurability frees your designs from the constraints of a fixed peripheral controller.

Digital blocks are provided in rows of four, where the number of blocks varies by PSoC device family. This allows the optimum choice of system resources for your application. Family resources are shown in Table 1 on page 6.

Figure 2. Digital System Block Diagram



### Notes

3. **Errata:** The worst case IMO frequency deviation when operated below 0 °C and above +70 °C and within the upper and lower datasheet temperature range is ±5%.
4. **Errata:** The I<sup>2</sup>C block exhibits occasional data and bus corruption errors when the I<sup>2</sup>C master initiates transactions while the device is transitioning in to or out of sleep mode.

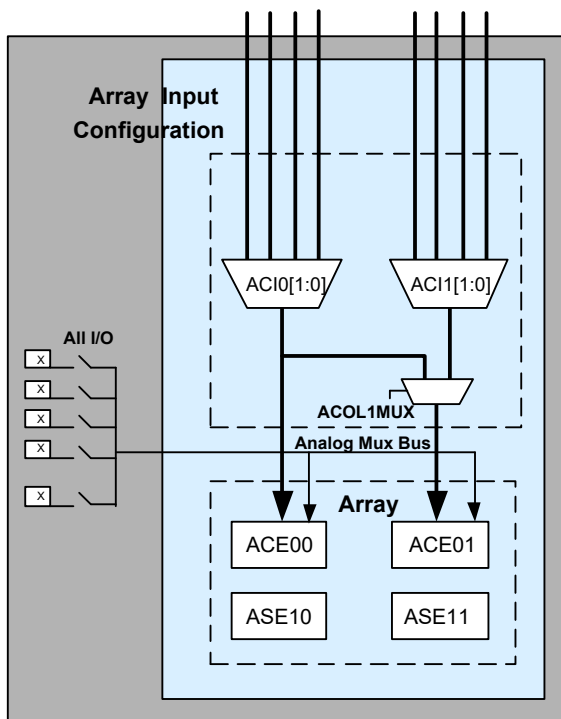
## The Analog System

The analog system consists of four configurable blocks that allow for the creation of complex analog signal flows. Analog peripherals are very flexible and can be customized to support specific application requirements. Some of the common PSoC analog functions for this device (most available as user modules) are:

- ADCs (single or dual, with 8-bit or 10-bit resolution)
- Pin-to-pin comparator
- Single-ended comparators (up to two) with absolute (1.3 V) reference or 8-bit DAC reference
- 1.3-V reference (as a system resource)

In most PSoC devices, analog blocks are provided in columns of three, which includes one continuous time (CT) and two switched capacitor (SC) blocks. The CY8C21x34 devices provide limited functionality Type E analog blocks. Each column contains one CT Type E block and one SC Type E block. Refer to the *PSoC Technical Reference Manual* for detailed information on the CY8C21x34's Type E analog blocks.

**Figure 3. Analog System Block Diagram**



## The Analog Multiplexer System

The analog mux bus can connect to every GPIO pin. Pins may be connected to the bus individually or in any combination. The bus also connects to the analog system for analysis with comparators and analog-to-digital converters. An additional 8:1 analog input multiplexer provides a second path to bring Port 0 pins to the analog array.

Switch-control logic enables selected pins to precharge continuously under hardware control. This enables capacitive measurement for applications such as touch sensing. Other multiplexer applications include:

- Track pad, finger sensing
- Chip-wide mux that allows analog input from any I/O pin
- Crosspoint connection between any I/O pin combinations

## Additional System Resources

System resources, some of which are listed in the previous sections, provide additional capability useful to complete systems. Additional resources include a switch-mode pump, low-voltage detection, and power-on-reset (POR).

- Digital clock dividers provide three customizable clock frequencies for use in applications. The clocks may be routed to both the digital and analog systems. Additional clocks can be generated using digital PSoC blocks as clock dividers.
- The I<sup>2</sup>C<sup>[5]</sup> module provides 100- and 400-kHz communication over two wires. Slave, master, and multi-master modes are all supported.
- LVD interrupts can signal the application of falling voltage levels, while the advanced POR circuit eliminates the need for a system supervisor.
- An internal 1.3-V reference provides an absolute reference for the analog system, including ADCs and DACs.
- An integrated switch-mode pump generates normal operating voltages from a single 1.2-V battery cell, providing a low cost boost converter.
- Versatile analog multiplexer system.

### Note

5. **Errata:** The I<sup>2</sup>C block exhibits occasional data and bus corruption errors when the I2C master initiates transactions while the device is transitioning in to or out of sleep mode.

## PSoC Device Characteristics

Depending on your PSoC device characteristics, the digital and analog systems can have 16, 8, or 4 digital blocks and 12, 6, or 4 analog blocks. [Table 1](#) lists the resources available for specific PSoC device groups. The PSoC device covered by this datasheet is highlighted in [Table 1](#).

**Table 1. PSoC Device Characteristics**

PSoC Part Number	Digital I/O	Digital Rows	Digital Blocks	Analog Inputs	Analog Outputs	Analog Columns	Analog Blocks	SRAM Size	Flash Size
CY8C29x66	up to 64	4	16	up to 12	4	4	12	2K	32K
CY8C28xxx	up to 44	up to 3	up to 12	up to 44	up to 4	up to 6	up to 12 + 4 <sup>[6]</sup>	1K	16K
CY8C27x43	up to 44	2	8	up to 12	4	4	12	256	16K
CY8C24x94	up to 56	1	4	up to 48	2	2	6	1K	16K
CY8C24x23A	up to 24	1	4	up to 12	2	2	6	256	4K
CY8C23x33	up to 26	1	4	up to 12	2	2	4	256	8K
CY8C22x45	up to 38	2	8	up to 38	0	4	6 <sup>[6]</sup>	1K	16K
CY8C21x45	up to 24	1	4	up to 24	0	4	6 <sup>[6]</sup>	512	8K
CY8C21x34	up to 28	1	4	up to 28	0	2	4 <sup>[6]</sup>	512	8K
CY8C21x23	up to 16	1	4	up to 8	0	2	4 <sup>[6]</sup>	256	4K
CY8C20x34	up to 28	0	0	up to 28	0	0	3 <sup>[6,7]</sup>	512	8K
CY8C20xx6	up to 36	0	0	up to 36	0	0	3 <sup>[6,7]</sup>	up to 2K	up to 32K

## Getting Started

For in-depth information, along with detailed programming details, see the *PSoC<sup>®</sup> Technical Reference Manual*.

For up-to-date ordering, packaging, and electrical specification information, see the latest [PSoC device datasheets](#) on the web.

## Application Notes

[Cypress application notes](#) are an excellent introduction to the wide variety of possible PSoC designs.

## Development Kits

[PSoC Development Kits](#) are available online from and through a growing number of regional and global distributors, which include Arrow, Avnet, Digi-Key, Farnell, Future Electronics, and Newark.

## Training

[Free PSoC technical training](#) (on demand, webinars, and workshops), which is available online via [www.cypress.com](http://www.cypress.com),

covers a wide variety of topics and skill levels to assist you in your designs.

## CYPros Consultants

Certified PSoC consultants offer everything from technical assistance to completed PSoC designs. To contact or become a PSoC consultant go to the [CYPros Consultants](#) web site.

## Solutions Library

Visit our growing [library of solution focused designs](#). Here you can find various application designs that include firmware and hardware design files that enable you to complete your designs quickly.

## Technical Support

[Technical support](#) – including a searchable Knowledge Base articles and technical forums – is also available online. If you cannot find an answer to your question, call our Technical Support hotline at 1-800-541-4736.

### Notes

6. Limited analog functionality.

7. Two analog blocks and one CapSense<sup>®</sup>.

## Development Tools

PSoC Designer™ is the revolutionary integrated design environment (IDE) that you can use to customize PSoC to meet your specific application requirements. PSoC Designer software accelerates system design and time to market. Develop your applications using a library of precharacterized analog and digital peripherals (called user modules) in a drag-and-drop design environment. Then, customize your design by leveraging the dynamically generated application programming interface (API) libraries of code. Finally, debug and test your designs with the integrated debug environment, including in-circuit emulation and standard software debug features. PSoC Designer includes:

- Application editor graphical user interface (GUI) for device and user module configuration and dynamic reconfiguration
- Extensive user module catalog
- Integrated source-code editor (C and assembly)
- Free C compiler with no size restrictions or time limits
- Built-in debugger
- In-circuit emulation
- Built-in support for communication interfaces:
  - Hardware and software I<sup>2</sup>C [8] slaves and masters
  - Full-speed USB 2.0
  - Up to four full-duplex universal asynchronous receiver/transmitters (UARTs), SPI master and slave, and wireless

PSoC Designer supports the entire library of PSoC 1 devices and runs on Windows XP, Windows Vista, and Windows 7.

## PSoC Designer Software Subsystems

### Design Entry

In the chip-level view, choose a base device to work with. Then select different onboard analog and digital components that use the PSoC blocks, which are called user modules. Examples of user modules are ADCs, DACs, amplifiers, and filters. Configure the user modules for your chosen application and connect them to each other and to the proper pins. Then generate your project. This prepopulates your project with APIs and libraries that you can use to program your application.

The tool also supports easy development of multiple configurations and dynamic reconfiguration. Dynamic reconfiguration makes it possible to change configurations at run time. In essence, this allows you to use more than 100 percent of PSoC's resources for an application.

### Code Generation Tools

The code generation tools work seamlessly within the PSoC Designer interface and have been tested with a full range of debugging tools. You can develop your design in C, assembly, or a combination of the two.

**Assemblers.** The assemblers allow you to merge assembly code seamlessly with C code. Link libraries automatically use absolute addressing or are compiled in relative mode, and are linked with other software modules to get absolute addressing.

**C Language Compilers.** C language compilers are available that support the PSoC family of devices. The products allow you to create complete C programs for the PSoC family devices. The optimizing C compilers provide all of the features of C, tailored to the PSoC architecture. They come complete with embedded libraries providing port and bus operations, standard keypad and display support, and extended math functionality.

### Debugger

PSoC Designer has a debug environment that provides hardware in-circuit emulation, allowing you to test the program in a physical system while providing an internal view of the PSoC device. Debugger commands allow you to read and program and read and write data memory, and read and write I/O registers. You can read and write CPU registers, set and clear breakpoints, and provide program run, halt, and step control. The debugger also allows you to create a trace buffer of registers and memory locations of interest.

### Online Help System

The online help system displays online, context-sensitive help. Designed for procedural and quick reference, each functional subsystem has its own context-sensitive help. This system also provides tutorials and links to FAQs and an online support Forum to aid the designer.

### In-Circuit Emulator

A low-cost, high-functionality in-circuit emulator (ICE) is available for development support. This hardware can program single devices.

The emulator consists of a base unit that connects to the PC using a USB port. The base unit is universal and operates with all PSoC devices. Emulation pods for each device family are available separately. The emulation pod takes the place of the PSoC device in the target board and performs full-speed (24 MHz) operation.

#### Note

8. **Errata:** The I<sup>2</sup>C block exhibits occasional data and bus corruption errors when the I<sup>2</sup>C master initiates transactions while the device is transitioning in to or out of sleep mode.

## Designing with PSoC Designer

The development process for the PSoC device differs from that of a traditional fixed function microprocessor. The configurable analog and digital hardware blocks give the PSoC architecture a unique flexibility that pays dividends in managing specification change during development and by lowering inventory costs. These configurable resources, called PSoC Blocks, have the ability to implement a wide variety of user-selectable functions. The PSoC development process is summarized in four steps:

1. Select [User Modules](#).
2. Configure User Modules.
3. Organize and Connect.
4. Generate, Verify, and Debug.

### Select User Modules

PSoC Designer provides a library of prebuilt, pretested hardware peripheral components called “user modules.” User modules make selecting and implementing peripheral devices, both analog and digital, simple.

### Configure User Modules

Each user module that you select establishes the basic register settings that implement the selected function. They also provide parameters and properties that allow you to tailor their precise configuration to your particular application. For example, a PWM User Module configures one or more digital PSoC blocks, one for each 8 bits of resolution. The user module parameters permit you to establish the pulse width and duty cycle. Configure the parameters and properties to correspond to your chosen application. Enter values directly or by selecting values from drop-down menus. All the user modules are documented in datasheets that may be viewed directly in PSoC Designer or on the Cypress website. These [user module datasheets](#) explain the internal operation of the user module and provide performance

specifications. Each datasheet describes the use of each user module parameter, and other information you may need to successfully implement your design.

### Organize and Connect

You build signal chains at the chip level by interconnecting user modules to each other and the I/O pins. You perform the selection, configuration, and routing so that you have complete control over all on-chip resources.

### Generate, Verify, and Debug

When you are ready to test the hardware configuration or move on to developing code for the project, you perform the “Generate Configuration Files” step. This causes PSoC Designer to generate source code that automatically configures the device to your specification and provides the software for the system. The generated code provides application programming interfaces (APIs) with high-level functions to control and respond to hardware events at run-time and interrupt service routines that you can adapt as needed.

A complete code development environment allows you to develop and customize your applications in either C, assembly language, or both.

The last step in the development process takes place inside PSoC Designer’s debugger (access by clicking the Connect icon). PSoC Designer downloads the HEX image to the ICE where it runs at full speed. PSoC Designer debugging capabilities rival those of systems costing many times more. In addition to traditional single-step, run-to-breakpoint, and watch-variable features, the debug interface provides a large trace buffer and allows you to define complex breakpoint events. These include monitoring address and data bus values, memory locations, and external signals.

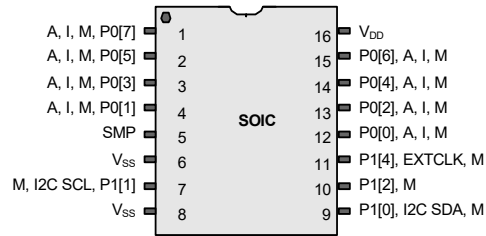


## Pin Information

The CY8C21x34 PSoC device is available in a variety of packages which are listed in the following tables. Every port pin (labeled with a "P") is capable of Digital I/O and connection to the common analog bus. However, V<sub>SS</sub>, V<sub>DD</sub>, SMP, and XRES are not capable of Digital I/O.

### 16-pin Part Pinout

**Figure 4. CY8C21234 16-pin PSoC Device**



### CY8C21234 16-pin SOIC Pin Definitions

Pin No.	Type		Name	Description
	Digital	Analog		
1	I/O	I, M	P0[7]	Analog column mux input
2	I/O	I, M	P0[5]	Analog column mux input
3	I/O	I, M	P0[3]	Analog column mux input, integrating input
4	I/O	I, M	P0[1]	Analog column mux input, integrating input
5	Power		SMP	Switch-mode pump (SMP) connection to required external components
6	Power		V <sub>SS</sub>	Ground connection <sup>[9]</sup>
7	I/O	M	P1[1]	I <sup>2</sup> C serial clock (SCL), ISSP-SCLK <sup>[10]</sup>
8	Power		V <sub>SS</sub>	Ground connection <sup>[9]</sup>
9	I/O	M	P1[0]	I <sup>2</sup> C serial data (SDA), ISSP-SDATA <sup>[10]</sup>
10	I/O	M	P1[2]	
11	I/O	M	P1[4]	Optional external clock input (EXTCLK)
12	I/O	I, M	P0[0]	Analog column mux input
13	I/O	I, M	P0[2]	Analog column mux input
14	I/O	I, M	P0[4]	Analog column mux input
15	I/O	I, M	P0[6]	Analog column mux input
16	Power		V <sub>DD</sub>	Supply voltage

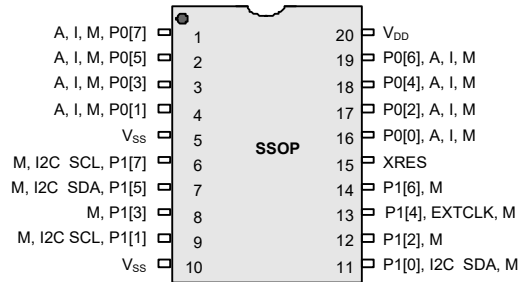
**LEGEND** A = Analog, I = Input, O = Output, and M = Analog Mux Input.

#### Notes

- All V<sub>SS</sub> pins should be brought out to one common GND plane.
- These are the ISSP pins, which are not High Z at POR. See the [PSoC Technical Reference Manual](#) for details.

**20-pin Part Pinout**

**Figure 5. CY8C21334 20-pin PSoC Device**



**CY8C21334 20-pin SSOP Pin Definitions**

Pin No.	Type		Name	Description
	Digital	Analog		
1	I/O	I, M	P0[7]	Analog column mux input
2	I/O	I, M	P0[5]	Analog column mux input
3	I/O	I, M	P0[3]	Analog column mux input, integrating input
4	I/O	I, M	P0[1]	Analog column mux input, integrating input
5	Power		V <sub>SS</sub>	Ground connection <sup>[11]</sup>
6	I/O	M	P1[7]	I <sup>2</sup> C SCL
7	I/O	M	P1[5]	I <sup>2</sup> C SDA
8	I/O	M	P1[3]	
9	I/O	M	P1[1]	I <sup>2</sup> C SCL, ISSP-SCLK <sup>[12]</sup>
10	Power		V <sub>SS</sub>	Ground connection <sup>[11]</sup>
11	I/O	M	P1[0]	I <sup>2</sup> C SDA, ISSP-SDATA <sup>[12]</sup>
12	I/O	M	P1[2]	
13	I/O	M	P1[4]	Optional external clock input (EXTCLK)
14	I/O	M	P1[6]	
15	Input		XRES	Active high external reset with internal pull-down
16	I/O	I, M	P0[0]	Analog column mux input
17	I/O	I, M	P0[2]	Analog column mux input
18	I/O	I, M	P0[4]	Analog column mux input
19	I/O	I, M	P0[6]	Analog column mux input
20	Power		V <sub>DD</sub>	Supply voltage

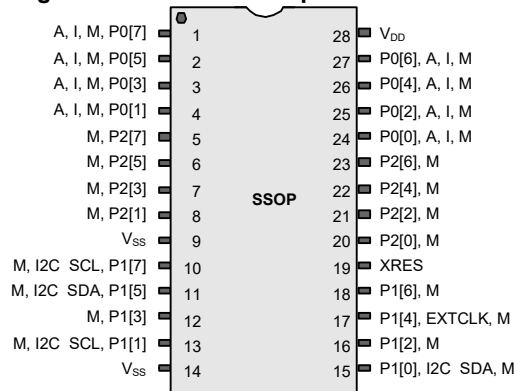
**LEGEND** A = Analog, I = Input, O = Output, and M = Analog Mux Input.

**Notes**

- 11. All V<sub>SS</sub> pins should be brought out to one common GND plane.
- 12. These are the ISSP pins, which are not High Z at POR. See the *PSoC Technical Reference Manual* for details.

28-pin Part Pinout

Figure 6. CY8C21534 28-pin PSoC Device



CY8C21534 28-pin SSOP Pin Definitions

Pin No.	Type		Name	Description
	Digital	Analog		
1	I/O	I, M	P0[7]	Analog column mux input
2	I/O	I, M	P0[5]	Analog column mux input and column output
3	I/O	I, M	P0[3]	Analog column mux input and column output, integrating input
4	I/O	I, M	P0[1]	Analog column mux input, integrating input
5	I/O	M	P2[7]	
6	I/O	M	P2[5]	
7	I/O	I, M	P2[3]	Direct switched capacitor block input
8	I/O	I, M	P2[1]	Direct switched capacitor block input
9	Power		V <sub>SS</sub>	Ground connection <sup>[13]</sup>
10	I/O	M	P1[7]	I <sup>2</sup> C SCL
11	I/O	M	P1[5]	I <sup>2</sup> C SDA
12	I/O	M	P1[3]	
13	I/O	M	P1[1]	I <sup>2</sup> C SCL, ISSP-SCLK <sup>[14]</sup>
14	Power		V <sub>SS</sub>	Ground connection <sup>[13]</sup>
15	I/O	M	P1[0]	I <sup>2</sup> C SDA, ISSP-SDATA <sup>[14]</sup>
16	I/O	M	P1[2]	
17	I/O	M	P1[4]	Optional external clock input (EXTCLK)
18	I/O	M	P1[6]	
19	Input		XRES	Active high external reset with internal pull-down
20	I/O	I, M	P2[0]	Direct switched capacitor block input
21	I/O	I, M	P2[2]	Direct switched capacitor block input
22	I/O	M	P2[4]	
23	I/O	M	P2[6]	
24	I/O	I, M	P0[0]	Analog column mux input
25	I/O	I, M	P0[2]	Analog column mux input
26	I/O	I, M	P0[4]	Analog column mux input
27	I/O	I, M	P0[6]	Analog column mux input
28	Power		V <sub>DD</sub>	Supply voltage

LEGEND A: Analog, I: Input, O = Output, and M = Analog Mux Input.

Notes

13. All V<sub>SS</sub> pins should be brought out to one common GND plane.

14. These are the ISSP pins, which are not high Z at POR. See the *PSoC Technical Reference Manual* for details.

32-pin Part Pinout

Figure 7. CY8C21434 32-pin PSoC Device

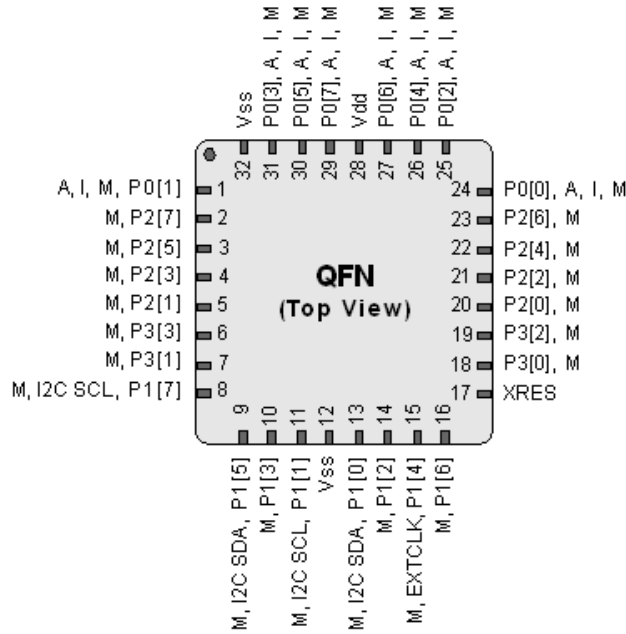
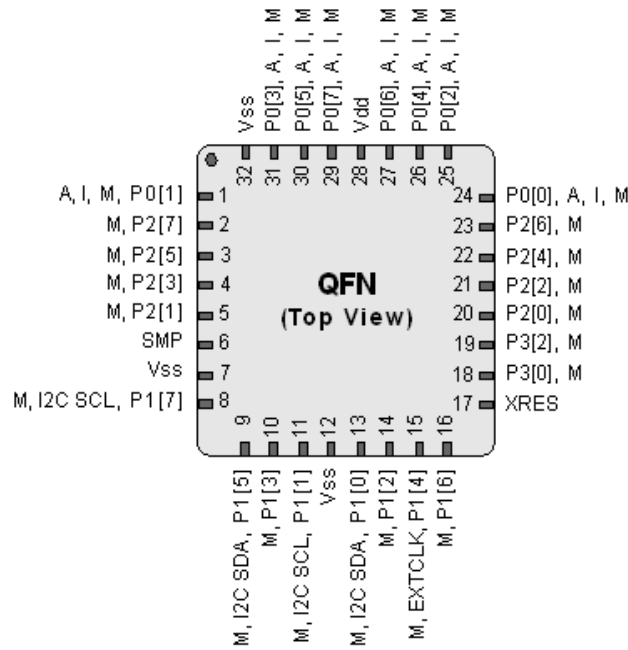
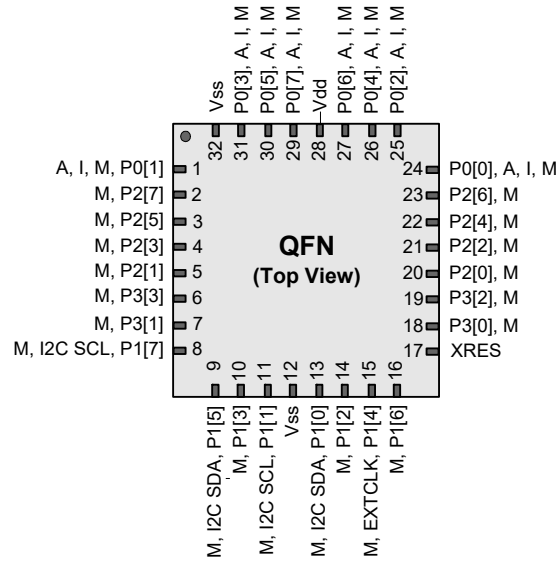


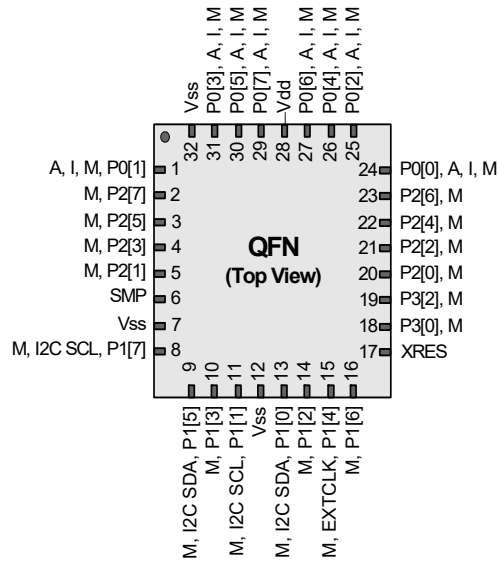
Figure 8. CY8C21634 32-pin PSoC Device



**Figure 9. CY8C21434 32-pin Sawn PSoC Device Sawn**



**Figure 10. CY8C21634 32-pin Sawn PSoC Device Sawn**



**CY8C21434/CY8C21634 32-pin QFN Pin Definitions**

Pin No. <sup>[15]</sup>	Type		Name	Description
	Digital	Analog		
1	I/O	I, M	P0[1]	Analog column mux input, integrating input
2	I/O	M	P2[7]	
3	I/O	M	P2[5]	
4	I/O	M	P2[3]	
5	I/O	M	P2[1]	
6	I/O	M	P3[3]	In CY8C21434 part
6	Power		SMP	SMP connection to required external components in CY8C21634 part
7	I/O	M	P3[1]	In CY8C21434 part
7	Power		V <sub>SS</sub>	Ground connection in CY8C21634 part <sup>[16]</sup>
8	I/O	M	P1[7]	I <sup>2</sup> C SCL
9	I/O	M	P1[5]	I <sup>2</sup> C SDA
10	I/O	M	P1[3]	
11	I/O	M	P1[1]	I <sup>2</sup> C SCL, ISSP-SCLK <sup>[17]</sup>
12	Power		V <sub>SS</sub>	Ground connection <sup>[16]</sup>
13	I/O	M	P1[0]	I <sup>2</sup> C SDA, ISSP-SDATA <sup>[17]</sup>
14	I/O	M	P1[2]	
15	I/O	M	P1[4]	Optional external clock input (EXTCLK)
16	I/O	M	P1[6]	
17	Input		XRES	Active high external reset with internal pull-down
18	I/O	M	P3[0]	
19	I/O	M	P3[2]	
20	I/O	M	P2[0]	
21	I/O	M	P2[2]	
22	I/O	M	P2[4]	
23	I/O	M	P2[6]	
24	I/O	I, M	P0[0]	Analog column mux input
25	I/O	I, M	P0[2]	Analog column mux input
26	I/O	I, M	P0[4]	Analog column mux input
27	I/O	I, M	P0[6]	Analog column mux input
28	Power		V <sub>DD</sub>	Supply voltage
29	I/O	I, M	P0[7]	Analog column mux input
30	I/O	I, M	P0[5]	Analog column mux input
31	I/O	I, M	P0[3]	Analog column mux input, integrating input
32	Power		V <sub>SS</sub>	Ground connection <sup>[16]</sup>

**LEGEND** A = Analog, I = Input, O = Output, and M = Analog Mux Input.

**Notes**

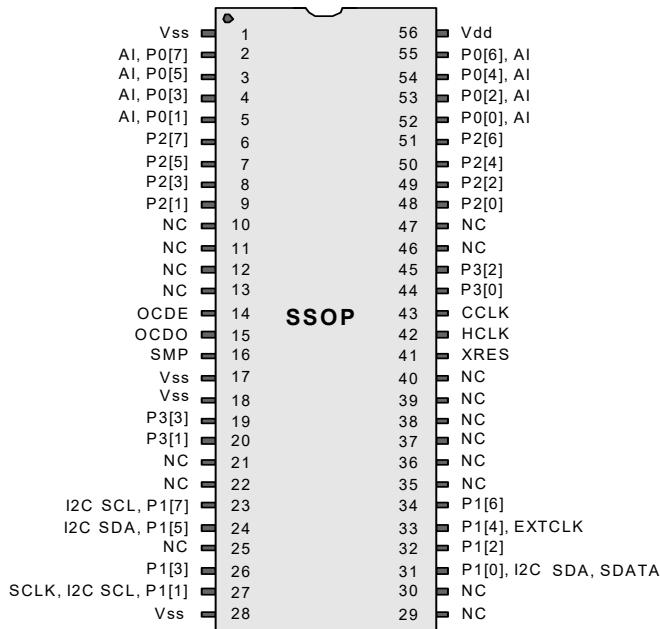
15. The center pad on the QFN package must be connected to ground (V<sub>SS</sub>) for best mechanical, thermal, and electrical performance. If not connected to ground, it must be electrically floated and not connected to any other signal.
16. All V<sub>SS</sub> pins should be brought out to one common GND plane.
17. These are the ISSP pins, which are not high Z at POR. See the *PSoC Technical Reference Manual* for details.

**56-pin Part Pinout**

The 56-pin SSOP part is for the CY8C21001 on-chip debug (OCD) PSoC device.

**Note** This part is only used for in-circuit debugging. It is NOT available for production.

**Figure 10. CY8C21001 56-pin PSoC Device**



**CY8C21001 56-pin SSOP Pin Definitions**

Pin No.	Type		Pin Name	Description
	Digital	Analog		
1	Power		V <sub>SS</sub>	Ground connection <sup>[18]</sup>
2	I/O	I	P0[7]	Analog column mux input
3	I/O	I	P0[5]	Analog column mux input and column output
4	I/O	I	P0[3]	Analog column mux input and column output
5	I/O	I	P0[1]	Analog column mux input
6	I/O		P2[7]	
7	I/O		P2[5]	
8	I/O	I	P2[3]	Direct switched capacitor block input
9	I/O	I	P2[1]	Direct switched capacitor block input
10			NC	No connection. Pin must be left floating
11			NC	No connection. Pin must be left floating
12			NC	No connection. Pin must be left floating
13			NC	No connection. Pin must be left floating
14	OCD		OCDE	OCD even data I/O
15	OCD		OCDO	OCD odd data output
16	Power		SMP	SMP connection to required external components
17	Power		V <sub>SS</sub>	Ground connection <sup>[18]</sup>
18	Power		V <sub>SS</sub>	Ground connection <sup>[18]</sup>
19	I/O		P3[3]	

**CY8C21001 56-pin SSOP Pin Definitions** (continued)

Pin No.	Type		Pin Name	Description
	Digital	Analog		
20	I/O		P3[1]	
21			NC	No connection. Pin must be left floating
22			NC	No connection. Pin must be left floating
23	I/O		P1[7]	I <sup>2</sup> C SCL
24	I/O		P1[5]	I <sup>2</sup> C SDA
25			NC	No connection. Pin must be left floating
26	I/O		P1[3]	I <sub>FMTEST</sub>
27	I/O		P1[1]	I <sup>2</sup> C SCL, ISSP-SCLK <sup>[19]</sup>
28	Power		V <sub>SS</sub>	Ground connection <sup>[18]</sup>
29			NC	No connection. Pin must be left floating
30			NC	No connection. Pin must be left floating
31	I/O		P1[0]	I <sup>2</sup> C SDA, ISSP-SDATA <sup>[19]</sup>
32	I/O		P1[2]	V <sub>FMTEST</sub>
33	I/O		P1[4]	Optional external clock input (EXTCLK)
34	I/O		P1[6]	
35			NC	No connection. Pin must be left floating
36			NC	No connection. Pin must be left floating
37			NC	No connection. Pin must be left floating
38			NC	No connection. Pin must be left floating
39			NC	No connection. Pin must be left floating
40			NC	No connection. Pin must be left floating
41	Input		XRES	Active high external reset with internal pull-down
42	OCD		HCLK	OCD high-speed clock output
43	OCD		CCLK	OCD CPU clock output
44	I/O		P3[0]	
45	I/O		P3[2]	
46			NC	No connection. Pin must be left floating
47			NC	No connection. Pin must be left floating
48	I/O	I	P2[0]	
49	I/O	I	P2[2]	
50	I/O		P2[4]	
51	I/O		P2[6]	
52	I/O	I	P0[0]	Analog column mux input
53	I/O	I	P0[2]	Analog column mux input and column output
54	I/O	I	P0[4]	Analog column mux input and column output
55	I/O	I	P0[6]	Analog column mux input
56	Power		V <sub>DD</sub>	Supply voltage

**LEGEND:** A = Analog, I = Input, O = Output, and OCD = On-Chip Debug.

**Notes**

18. All V<sub>SS</sub> pins should be brought out to one common GND plane.

19. These are the ISSP pins, which are not High Z at POR. See the [PSoC Technical Reference Manual](#) for details.



## Register Reference

This chapter lists the registers of the CY8C21x34 PSoC device. For detailed register information, see the [PSoC Technical Reference Manual](#).

### Register Conventions

The register conventions specific to this section are listed in [Table 2](#).

**Table 2. Register Conventions**

Convention	Description
R	Read register or bit(s)
W	Write register or bit(s)
L	Logical register or bit(s)
C	Clearable register or bit(s)
#	Access is bit specific

### Register Mapping Tables

The PSoC device has a total register address space of 512 bytes. The register space is referred to as I/O space and is divided into two banks, Bank 0 and Bank 1. The XO1 bit in the Flag register (CPU\_F) determines which bank the user is currently in. When the XO1 bit is set to 1, the user is in Bank 1.

**Note** In the following register mapping tables, blank fields are reserved and must not be accessed.

**Table 3. Register Map 0 Table: User Space**

Name	Addr (0,Hex)	Access	Name	Addr (0,Hex)	Access	Name	Addr (0,Hex)	Access	Name	Addr (0,Hex)	Access
PRT0DR	00	RW		40		ASE10CR0	80	RW		C0	
PRT0IE	01	RW		41			81			C1	
PRT0GS	02	RW		42			82			C2	
PRT0DM2	03	RW		43			83			C3	
PRT1DR	04	RW		44		ASE11CR0	84	RW		C4	
PRT1IE	05	RW		45			85			C5	
PRT1GS	06	RW		46			86			C6	
PRT1DM2	07	RW		47			87			C7	
PRT2DR	08	RW		48			88			C8	
PRT2IE	09	RW		49			89			C9	
PRT2GS	0A	RW		4A			8A			CA	
PRT2DM2	0B	RW		4B			8B			CB	
PRT3DR	0C	RW		4C			8C			CC	
PRT3IE	0D	RW		4D			8D			CD	
PRT3GS	0E	RW		4E			8E			CE	
PRT3DM2	0F	RW		4F			8F			CF	
	10			50			90		CUR_PP	D0	RW
	11			51			91		STK_PP	D1	RW
	12			52			92			D2	
	13			53			93		IDX_PP	D3	RW
	14			54			94		MVR_PP	D4	RW
	15			55			95		MVW_PP	D5	RW
	16			56			96		I2C_CFG	D6	RW
	17			57			97		I2C_SCR	D7	#
	18			58			98		I2C_DR	D8	RW
	19			59			99		I2C_MSCR	D9	#
	1A			5A			9A		INT_CLR0	DA	RW
	1B			5B			9B		INT_CLR1	DB	RW
	1C			5C			9C			DC	
	1D			5D			9D		INT_CLR3	DD	RW
	1E			5E			9E		INT_MSK3	DE	RW
	1F			5F			9F			DF	
DBB00DR0	20	#	AMX_IN	60	RW		A0		INT_MSK0	E0	RW
DBB00DR1	21	W	AMUXCFG	61	RW		A1		INT_MSK1	E1	RW
DBB00DR2	22	RW	PWM_CR	62	RW		A2		INT_VC	E2	RC
DBB00CR0	23	#		63			A3		RES_WDT	E3	W
DBB01DR0	24	#	CMP_CR0	64	#		A4			E4	
DBB01DR1	25	W		65			A5			E5	
DBB01DR2	26	RW	CMP_CR1	66	RW		A6		DEC_CR0	E6	RW
DBB01CR0	27	#		67			A7		DEC_CR1	E7	RW
DCB02DR0	28	#	ADC0_CR	68	#		A8			E8	
DCB02DR1	29	W	ADC1_CR	69	#		A9			E9	
DCB02DR2	2A	RW		6A			AA			EA	
DCB02CR0	2B	#		6B			AB			EB	
DCB03DR0	2C	#	TMP_DR0	6C	RW		AC			EC	
DCB03DR1	2D	W	TMP_DR1	6D	RW		AD			ED	
DCB03DR2	2E	RW	TMP_DR2	6E	RW		AE			EE	
DCB03CR0	2F	#	TMP_DR3	6F	RW		AF			EF	
	30			70		RDIORI	B0	RW		F0	
	31			71		RDIOSYN	B1	RW		F1	
	32		ACE00CR1	72	RW	RDIOIS	B2	RW		F2	
	33		ACE00CR2	73	RW	RDIOILT0	B3	RW		F3	
	34			74		RDIOILT1	B4	RW		F4	
	35			75		RDIORO0	B5	RW		F5	
	36		ACE01CR1	76	RW	RDIORO1	B6	RW		F6	
	37		ACE01CR2	77	RW		B7		CPU_F	F7	RL
	38			78			B8			F8	
	39			79			B9			F9	
	3A			7A			BA			FA	
	3B			7B			BB			FB	
	3C			7C			BC			FC	
	3D			7D			BD		DAC_D	FD	RW
	3E			7E			BE		CPU_SCR1	FE	#
	3F			7F			BF		CPU_SCR0	FF	#

Blank fields are reserved and must not be accessed.

# Access is bit specific.

**Table 4. Register Map 1 Table: Configuration Space**

Name	Addr (1,Hex)	Access	Name	Addr (1,Hex)	Access	Name	Addr (1,Hex)	Access	Name	Addr (1,Hex)	Access
PRT0DM0	00	RW		40		ASE10CR0	80	RW		C0	
PRT0DM1	01	RW		41			81			C1	
PRT0IC0	02	RW		42			82			C2	
PRT0IC1	03	RW		43			83			C3	
PRT1DM0	04	RW		44		ASE11CR0	84	RW		C4	
PRT1DM1	05	RW		45			85			C5	
PRT1IC0	06	RW		46			86			C6	
PRT1IC1	07	RW		47			87			C7	
PRT2DM0	08	RW		48			88			C8	
PRT2DM1	09	RW		49			89			C9	
PRT2IC0	0A	RW		4A			8A			CA	
PRT2IC1	0B	RW		4B			8B			CB	
PRT3DM0	0C	RW		4C			8C			CC	
PRT3DM1	0D	RW		4D			8D			CD	
PRT3IC0	0E	RW		4E			8E			CE	
PRT3IC1	0F	RW		4F			8F			CF	
	10			50			90		GDI_O_IN	D0	RW
	11			51			91		GDI_E_IN	D1	RW
	12			52			92		GDI_O_OU	D2	RW
	13			53			93		GDI_E_OU	D3	RW
	14			54			94			D4	
	15			55			95			D5	
	16			56			96			D6	
	17			57			97			D7	
	18			58			98		MUX_CR0	D8	RW
	19			59			99		MUX_CR1	D9	RW
	1A			5A			9A		MUX_CR2	DA	RW
	1B			5B			9B		MUX_CR3	DB	RW
	1C			5C			9C			DC	
	1D			5D			9D		OSC_GO_EN	DD	RW
	1E			5E			9E		OSC_CR4	DE	RW
	1F			5F			9F		OSC_CR3	DF	RW
DBB00FN	20	RW	CLK_CR0	60	RW		A0		OSC_CR0	E0	RW
DBB00IN	21	RW	CLK_CR1	61	RW		A1		OSC_CR1	E1	RW
DBB00OU	22	RW	ABF_CR0	62	RW		A2		OSC_CR2	E2	RW
	23		AMD_CR0	63	RW		A3		VLT_CR	E3	RW
DBB01FN	24	RW	CMP_GO_EN	64	RW		A4		VLT_CMP	E4	R
DBB01IN	25	RW		65			A5		ADC0_TR	E5	RW
DBB01OU	26	RW	AMD_CR1	66	RW		A6		ADC1_TR	E6	RW
	27		ALT_CR0	67	RW		A7			E7	
DCB02FN	28	RW		68			A8		IMO_TR	E8	W
DCB02IN	29	RW		69			A9		ILO_TR	E9	W
DCB02OU	2A	RW		6A			AA		BDG_TR	EA	RW
	2B		CLK_CR3	6B	RW		AB		ECO_TR	EB	W
DCB03FN	2C	RW	TMP_DR0	6C	RW		AC			EC	
DCB03IN	2D	RW	TMP_DR1	6D	RW		AD			ED	
DCB03OU	2E	RW	TMP_DR2	6E	RW		AE			EE	
	2F		TMP_DR3	6F	RW		AF			EF	
	30			70		RDI0RI	B0	RW		F0	
	31			71		RDI0SYN	B1	RW		F1	
	32		ACE00CR1	72	RW	RDI0IS	B2	RW		F2	
	33		ACE00CR2	73	RW	RDI0LT0	B3	RW		F3	
	34			74		RDI0LT1	B4	RW		F4	
	35			75		RDI0RO0	B5	RW		F5	
	36		ACE01CR1	76	RW	RDI0RO1	B6	RW		F6	
	37		ACE01CR2	77	RW		B7		CPU_F	F7	RL
	38			78			B8			F8	
	39			79			B9			F9	
	3A			7A			BA		FLS_PR1	FA	RW
	3B			7B			BB			FB	
	3C			7C			BC			FC	
	3D			7D			BD		DAC_CR	FD	RW
	3E			7E			BE		CPU_SCR1	FE	#
	3F			7F			BF		CPU_SCR0	FF	#

Blank fields are reserved and must not be accessed.

# Access is bit specific.

## Absolute Maximum Ratings

Symbol	Description	Min	Typ	Max	Units	Notes
T <sub>STG</sub>	Storage temperature	-55	25	+100	°C	Higher storage temperatures reduce data retention time. Recommended storage temperature is +25 °C ± 25 °C. Extended duration storage temperatures above 65 °C degrade reliability.
T <sub>BAKETEMP</sub>	Bake temperature	-	125	See package label	°C	
t <sub>BAKETIME</sub>	Bake time	See package label	-	72	Hours	
T <sub>A</sub>	Ambient temperature with power applied	-40	-	+85	°C	
V <sub>DD</sub>	Supply voltage on V <sub>DD</sub> relative to V <sub>SS</sub>	-0.5	-	+6.0	V	
V <sub>IO</sub>	DC input voltage	V <sub>SS</sub> - 0.5	-	V <sub>DD</sub> + 0.5	V	
V <sub>IOZ</sub>	DC voltage applied to tri-state	V <sub>SS</sub> - 0.5	-	V <sub>DD</sub> + 0.5	V	
I <sub>MIO</sub>	Maximum current into any port pin	-25	-	+50	mA	
ESD	Electrostatic discharge voltage	2000	-	-	V	Human body model ESD.
LU	Latch-up current	-	-	200	mA	

## Operating Temperature

Symbol	Description	Min	Typ	Max	Units	Notes
T <sub>A</sub>	Ambient temperature	-40	-	+85	°C	
T <sub>J</sub>	Junction temperature	-40	-	+100	°C	The temperature rise from ambient to junction is package specific. See <a href="#">Table 29 on page 39</a> . You must limit the power consumption to comply with this requirement.

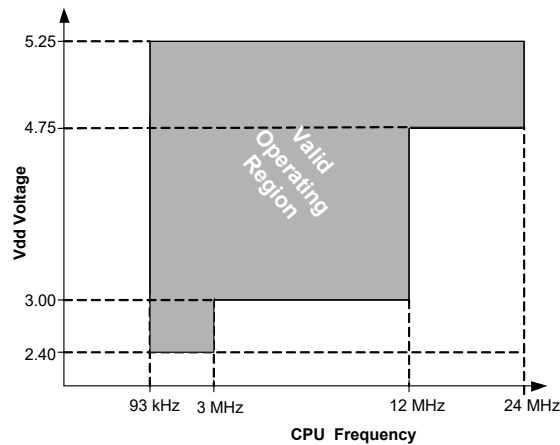
## Electrical Specifications

This section presents the DC and AC electrical specifications of the CY8C21x34 PSOC device. For up-to-date electrical specifications, visit the Cypress web site at <http://www.cypress.com>.

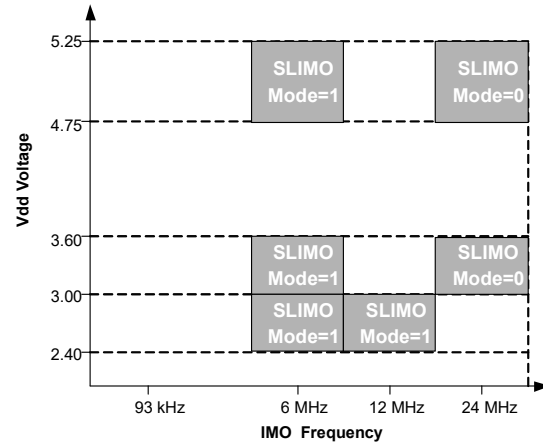
Specifications are valid for  $-40\text{ °C} \leq T_A \leq 85\text{ °C}$  and  $T_J \leq 100\text{ °C}$  as specified, except where noted.

Refer to [Table 16 on page 27](#) for the electrical specifications for the IMO using SLIMO mode.

**Figure 11. Voltage versus CPU Frequency**



**Figure 12. IMO Frequency Trim Options**



## DC Electrical Characteristics

### DC Chip-Level Specifications

[Table 5](#) lists the guaranteed maximum and minimum specifications for the voltage and temperature ranges: 4.75 V to 5.25 V and  $-40\text{ °C} \leq T_A \leq 85\text{ °C}$ , 3.0 V to 3.6 V and  $-40\text{ °C} \leq T_A \leq 85\text{ °C}$ , or 2.4 V to 3.0 V and  $-40\text{ °C} \leq T_A \leq 85\text{ °C}$ , respectively. Typical parameters are measured at 5 V, 3.3 V, or 2.7 V at 25 °C and are for design guidance only.

**Table 5. DC Chip-level Specifications**

Symbol	Description	Min	Typ	Max	Units	Notes
$V_{DD}$	Supply voltage	2.40	–	5.25	V	See <a href="#">Table 13 on page 25</a>
$I_{DD}$	Supply current, IMO = 24 MHz	–	3	4	mA	Conditions are $V_{DD} = 5.0\text{ V}$ , $T_A = 25\text{ °C}$ , CPU = 3 MHz, 48 MHz disabled. VC1 = 1.5 MHz, VC2 = 93.75 kHz, VC3 = 0.366 kHz
$I_{DD3}$	Supply current, IMO = 6 MHz using SLIMO mode.	–	1.2	2	mA	Conditions are $V_{DD} = 3.3\text{ V}$ , $T_A = 25\text{ °C}$ , CPU = 3 MHz, clock doubler disabled. VC1 = 375 kHz, VC2 = 23.4 kHz, VC3 = 0.091 kHz
$I_{DD27}$	Supply current, IMO = 6 MHz using SLIMO mode.	–	1.1	1.5	mA	Conditions are $V_{DD} = 2.55\text{ V}$ , $T_A = 25\text{ °C}$ , CPU = 3 MHz, clock doubler disabled. VC1 = 375 kHz, VC2 = 23.4 kHz, VC3 = 0.091 kHz
$I_{SB27}$	Sleep (mode) current with POR, LVD, sleep timer, WDT, and internal slow oscillator active. Mid temperature range.	–	2.6	4	$\mu\text{A}$	$V_{DD} = 2.55\text{ V}$ , $0\text{ °C} \leq T_A \leq 40\text{ °C}$
$I_{SB}$	Sleep (mode) current with POR, LVD, Sleep Timer, WDT, and internal slow oscillator active.	–	2.8	5	$\mu\text{A}$	$V_{DD} = 3.3\text{ V}$ , $-40\text{ °C} \leq T_A \leq 85\text{ °C}$
$V_{REF}$	Reference voltage (Bandgap)	1.28	1.30	1.32	V	Trimmed for appropriate $V_{DD}$ $V_{DD} = 3.0\text{ V to } 5.25\text{ V}$
$V_{REF27}$	Reference voltage (Bandgap)	1.16	1.30	1.33	V	Trimmed for appropriate $V_{DD}$ $V_{DD} = 2.4\text{ V to } 3.0\text{ V}$
AGND	Analog ground	$V_{REF} - 0.003$	$V_{REF}$	$V_{REF} + 0.003$	V	

### DC General-Purpose I/O Specifications

The following tables list the guaranteed maximum and minimum specifications for the voltage and temperature ranges: 4.75 V to 5.25 V and  $-40\text{ }^{\circ}\text{C} \leq T_A \leq 85\text{ }^{\circ}\text{C}$ , 3.0 V to 3.6 V and  $-40\text{ }^{\circ}\text{C} \leq T_A \leq 85\text{ }^{\circ}\text{C}$ , or 2.4 V to 3.0 V and  $-40\text{ }^{\circ}\text{C} \leq T_A \leq 85\text{ }^{\circ}\text{C}$ , respectively. Typical parameters are measured at 5 V, 3.3 V, and 2.7 V at 25 °C and are for design guidance only.

**Table 6. 5-V and 3.3-V DC GPIO Specifications**

Symbol	Description	Min	Typ	Max	Units	Notes
R <sub>PU</sub>	Pull-up resistor	4	5.6	8	kΩ	
R <sub>PD</sub>	Pull-down resistor	4	5.6	8	kΩ	
V <sub>OH</sub>	High output level	V <sub>DD</sub> - 1.0	–	–	V	I <sub>OH</sub> = 10 mA, V <sub>DD</sub> = 4.75 to 5.25 V (8 total loads, 4 on even port pins (for example, P0[2], P1[4]), 4 on odd port pins (for example, P0[3], P1[5]))
V <sub>OL</sub>	Low output level	–	–	0.75	V	I <sub>OL</sub> = 25 mA, V <sub>DD</sub> = 4.75 to 5.25 V (8 total loads, 4 on even port pins (for example, P0[2], P1[4]), 4 on odd port pins (for example, P0[3], P1[5]))
I <sub>OH</sub>	High level source current	10	–	–	mA	V <sub>OH</sub> = V <sub>DD</sub> - 1.0 V, see the limitations of the total current in the note for V <sub>OH</sub>
I <sub>OL</sub>	Low level sink current	25	–	–	mA	V <sub>OL</sub> = 0.75 V, see the limitations of the total current in the note for V <sub>OL</sub>
V <sub>IL</sub>	Input low level	–	–	0.8	V	V <sub>DD</sub> = 3.0 to 5.25
V <sub>IH</sub>	Input high level	2.1	–	–	V	V <sub>DD</sub> = 3.0 to 5.25
V <sub>H</sub>	Input hysteresis	–	60	–	mV	
I <sub>IL</sub>	Input leakage (absolute value)	–	1	–	nA	Gross tested to 1 μA
C <sub>IN</sub>	Capacitive load on pins as input	–	3.5	10	pF	Package and pin dependent Temp = 25 °C
C <sub>OUT</sub>	Capacitive load on pins as output	–	3.5	10	pF	Package and pin dependent Temp = 25 °C

**Table 7. 2.7-V DC GPIO Specifications**

Symbol	Description	Min	Typ	Max	Units	Notes
R <sub>PU</sub>	Pull-up resistor	4	5.6	8	kΩ	
R <sub>PD</sub>	Pull-down resistor	4	5.6	8	kΩ	
V <sub>OH</sub>	High output level	V <sub>DD</sub> - 0.4	–	–	V	I <sub>OH</sub> = 2.5 mA (6.25 Typ), V <sub>DD</sub> = 2.4 to 3.0 V (16 mA maximum, 50 mA Typ combined I <sub>OH</sub> budget)
V <sub>OL</sub>	Low output level	–	–	0.75	V	I <sub>OL</sub> = 10 mA, V <sub>DD</sub> = 2.4 to 3.0 V (90 mA maximum combined I <sub>OL</sub> budget)
I <sub>OH</sub>	High level source current	2.5	–	–	mA	V <sub>OH</sub> = V <sub>DD</sub> - 0.4 V, see the limitations of the total current in the note for V <sub>OH</sub>
I <sub>OL</sub>	Low level sink current	10	–	–	mA	V <sub>OL</sub> = 0.75 V, see the limitations of the total current in the note for V <sub>OL</sub>
V <sub>IL</sub>	Input low level	–	–	0.75	V	V <sub>DD</sub> = 2.4 to 3.0
V <sub>IH</sub>	Input high level	2.0	–	–	V	V <sub>DD</sub> = 2.4 to 3.0
V <sub>H</sub>	Input hysteresis	–	90	–	mV	
I <sub>IL</sub>	Input leakage (absolute value)	–	1	–	nA	Gross tested to 1 μA
C <sub>IN</sub>	Capacitive load on pins as input	–	3.5	10	pF	Package and pin dependent Temp = 25 °C
C <sub>OUT</sub>	Capacitive load on pins as output	–	3.5	10	pF	Package and pin dependent Temp = 25 °C

**DC Operational Amplifier Specifications**

The following tables list the guaranteed maximum and minimum specifications for the voltage and temperature ranges: 4.75 V to 5.25 V and  $-40\text{ }^{\circ}\text{C} \leq T_A \leq 85\text{ }^{\circ}\text{C}$ , 3.0 V to 3.6 V and  $-40\text{ }^{\circ}\text{C} \leq T_A \leq 85\text{ }^{\circ}\text{C}$ , or 2.4 V to 3.0 V and  $-40\text{ }^{\circ}\text{C} \leq T_A \leq 85\text{ }^{\circ}\text{C}$ , respectively. Typical parameters are measured at 5 V, 3.3 V, or 2.7 V at 25 °C and are for design guidance only.

**Table 8. 5-V DC Operational Amplifier Specifications**

Symbol	Description	Min	Typ	Max	Units	Notes
$V_{OSOA}$	Input offset voltage (absolute value)	–	2.5	15	mV	
$TCV_{OSOA}$	Average input offset voltage drift	–	10	–	$\mu\text{V}/^{\circ}\text{C}$	
$I_{EBOA}$	Input leakage current (Port 0 analog pins 7-to-1)	–	200	–	pA	Gross tested to 1 $\mu\text{A}$
$I_{EBOA00}$	Input leakage current (Port 0, Pin 0 analog pin)	–	50	–	nA	Gross tested to 1 $\mu\text{A}$
$C_{INOA}$	Input capacitance (Port 0 analog pins)	–	4.5	9.5	pF	Package and pin dependent. Temp = 25 °C
$V_{CMOA}$	Common mode voltage range	0.0	–	$V_{DD} - 1.0$	V	
$G_{OLOA}$	Open loop gain	–	80	–	dB	
$I_{SOA}$	Amplifier supply current	–	10	30	$\mu\text{A}$	

**Table 9. 3.3-V DC Operational Amplifier Specifications**

Symbol	Description	Min	Typ	Max	Units	Notes
$V_{OSOA}$	Input offset voltage (absolute value)	–	2.5	15	mV	
$TCV_{OSOA}$	Average input offset voltage drift	–	10	–	$\mu\text{V}/^{\circ}\text{C}$	
$I_{EBOA}$	Input leakage current (Port 0 analog pins)	–	200	–	pA	Gross tested to 1 $\mu\text{A}$
$I_{EBOA00}$	Input leakage current (Port 0, Pin 0 analog pin)	–	50	–	nA	Gross tested to 1 $\mu\text{A}$
$C_{INOA}$	Input capacitance (Port 0 analog pins)	–	4.5	9.5	pF	Package and pin dependent. Temp = 25 °C
$V_{CMOA}$	Common mode voltage range	0	–	$V_{DD} - 1.0$	V	
$G_{OLOA}$	Open loop gain	–	80	–	dB	
$I_{SOA}$	Amplifier supply current	–	10	30	$\mu\text{A}$	

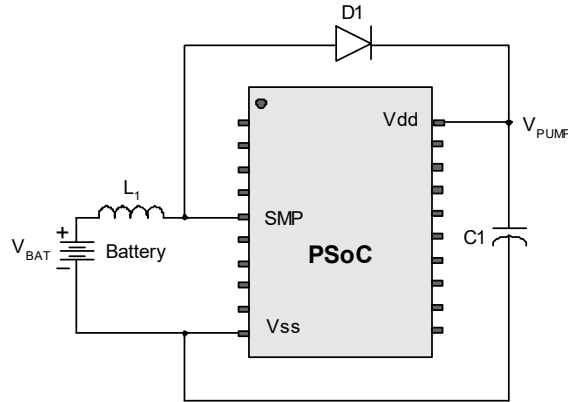
**Table 10. 2.7-V DC Operational Amplifier Specifications**

Symbol	Description	Min	Typ	Max	Units	Notes
$V_{OSOA}$	Input offset voltage (absolute value)	–	2.5	15	mV	
$TCV_{OSOA}$	Average input offset voltage drift	–	10	–	$\mu\text{V}/^{\circ}\text{C}$	
$I_{EBOA}$	Input leakage current (Port 0 analog pins)	–	200	–	pA	Gross tested to 1 $\mu\text{A}$
$I_{EBOA00}$	Input leakage current (Port 0, Pin 0 analog pin)	–	50	–	nA	Gross tested to 1 $\mu\text{A}$
$C_{INOA}$	Input capacitance (Port 0 analog pins)	–	4.5	9.5	pF	Package and pin dependent. Temp = 25 °C
$V_{CMOA}$	Common mode voltage range	0	–	$V_{DD} - 1.0$	V	
$G_{OLOA}$	Open loop gain	–	80	–	dB	
$I_{SOA}$	Amplifier supply current	–	10	30	$\mu\text{A}$	

### DC Switch Mode Pump Specifications

Table 11 lists the guaranteed maximum and minimum specifications for the voltage and temperature ranges: 4.75 V to 5.25 V and  $-40\text{ }^{\circ}\text{C} \leq T_A \leq 85\text{ }^{\circ}\text{C}$ , 3.0 V to 3.6 V and  $-40\text{ }^{\circ}\text{C} \leq T_A \leq 85\text{ }^{\circ}\text{C}$ , or 2.4 V to 3.0 V and  $-40\text{ }^{\circ}\text{C} \leq T_A \leq 85\text{ }^{\circ}\text{C}$ , respectively. Typical parameters are measured at 5 V, 3.3 V, or 2.7 V at 25 °C and are for design guidance only.

**Figure 13. Basic Switch Mode Pump Circuit**



**Table 11. DC Switch Mode Pump (SMP) Specifications**

Symbol	Description	Min	Typ	Max	Units	Notes
$V_{PUMP5V}$	5 V output voltage from pump	4.75	5.0	5.25	V	Configured as in Note 20 Average, neglecting ripple SMP trip voltage is set to 5.0 V
$V_{PUMP3V}$	3.3 V output voltage from pump	3.00	3.25	3.60	V	Configured as in Note 20 Average, neglecting ripple. SMP trip voltage is set to 3.25 V
$V_{PUMP2V}$	2.6 V output voltage from pump	2.45	2.55	2.80	V	Configured as in Note 20 Average, neglecting ripple. SMP trip voltage is set to 2.55 V
$I_{PUMP}$	Available output current $V_{BAT} = 1.8\text{ V}, V_{PUMP} = 5.0\text{ V}$ $V_{BAT} = 1.5\text{ V}, V_{PUMP} = 3.25\text{ V}$ $V_{BAT} = 1.3\text{ V}, V_{PUMP} = 2.55\text{ V}$	5 8 8	– – –	– – –	mA mA mA	Configured as in Note 20 SMP trip voltage is set to 5.0 V SMP trip voltage is set to 3.25 V SMP trip voltage is set to 2.55 V
$V_{BAT5V}$	Input voltage range from battery	1.8	–	5.0	V	Configured as in Note 20 SMP trip voltage is set to 5.0 V
$V_{BAT3V}$	Input voltage range from battery	1.0	–	3.3	V	Configured as in Note 20 SMP trip voltage is set to 3.25 V
$V_{BAT2V}$	Input voltage range from battery	1.0	–	2.8	V	Configured as in Note 20 SMP trip voltage is set to 2.55 V
$V_{BATSTART}$	Minimum input voltage from battery to start pump	1.2	–	–	V	Configured as in Note 20 $0\text{ }^{\circ}\text{C} \leq T_A \leq 100\text{ }^{\circ}\text{C}$ : 1.25 V at $T_A = -40\text{ }^{\circ}\text{C}$
$\Delta V_{PUMP\_Line}$	Line regulation (over $V_i$ range)	–	5	–	% $V_O$	Configured as in Note 20 $V_O$ is the “ $V_{DD}$ Value for PUMP Trip” specified by the VM[2:0] setting in the DC POR and LVD Specification, Table 13 on page 25
$\Delta V_{PUMP\_Load}$	Load regulation	–	5	–	% $V_O$	Configured as in Note 20 $V_O$ is the “ $V_{DD}$ Value for PUMP Trip” specified by the VM[2:0] setting in the DC POR and LVD Specification, Table 13 on page 25
$\Delta V_{PUMP\_Ripple}$	Output voltage ripple (depends on cap/load)	–	100	–	mVpp	Configured as in Note 20 Load is 5 mA

**Note**

20.  $L_1 = 2\text{ mH}$  inductor,  $C_1 = 10\text{ mF}$  capacitor,  $D_1 =$  Schottky diode. See Figure 13 on page 24.



**Table 11. DC Switch Mode Pump (SMP) Specifications** (continued)

Symbol	Description	Min	Typ	Max	Units	Notes
E <sub>3</sub>	Efficiency	35	50	–	%	Configured as in Note 20 Load is 5 mA. SMP trip voltage is set to 3.25 V
E <sub>2</sub>	Efficiency	35	80	–	%	For I load = 1mA, V <sub>PUMP</sub> = 2.55 V, V <sub>BAT</sub> = 1.3 V, 10 μH inductor, 1 μF capacitor, and Schottky diode
F <sub>PUMP</sub>	Switching frequency	–	1.3	–	MHz	
DC <sub>PUMP</sub>	Switching duty cycle	–	50	–	%	

#### DC Analog Mux Bus Specifications

Table 12 lists the guaranteed maximum and minimum specifications for the voltage and temperature ranges: 4.75 V to 5.25 V and  $-40\text{ }^{\circ}\text{C} \leq T_A \leq 85\text{ }^{\circ}\text{C}$ , 3.0 V to 3.6 V and  $-40\text{ }^{\circ}\text{C} \leq T_A \leq 85\text{ }^{\circ}\text{C}$ , or 2.4 V to 3.0 V and  $-40\text{ }^{\circ}\text{C} \leq T_A \leq 85\text{ }^{\circ}\text{C}$ , respectively. Typical parameters are measured at 5 V, 3.3 V, or 2.7 V at 25 °C and are for design guidance only.

**Table 12. DC Analog Mux Bus Specifications**

Symbol	Description	Min	Typ	Max	Units	Notes
R <sub>SW</sub>	Switch resistance to common analog bus	–	–	400 800	Ω	V <sub>DD</sub> ≥ 2.7 V 2.4 V ≤ V <sub>DD</sub> ≤ 2.7 V
R <sub>VDD</sub>	Resistance of initialization switch to V <sub>DD</sub>	–	–	800	Ω	

#### DC POR and LVD Specifications

Table 13 lists the guaranteed maximum and minimum specifications for the voltage and temperature ranges: 4.75 V to 5.25 V and  $-40\text{ }^{\circ}\text{C} \leq T_A \leq 85\text{ }^{\circ}\text{C}$ , 3.0 V to 3.6 V and  $-40\text{ }^{\circ}\text{C} \leq T_A \leq 85\text{ }^{\circ}\text{C}$ , or 2.4 V to 3.0 V and  $-40\text{ }^{\circ}\text{C} \leq T_A \leq 85\text{ }^{\circ}\text{C}$ , respectively. Typical parameters are measured at 5 V, 3.3 V, or 2.7 V at 25 °C and are for design guidance only.

**Table 13. DC POR and LVD Specifications**

Symbol	Description	Min	Typ	Max	Units	Notes
V <sub>PPOR0</sub>	V <sub>DD</sub> value for PPOR trip PORLEV[1:0] = 00b	–	2.36	2.40	V	V <sub>DD</sub> must be greater than or equal to 2.5 V during startup, the reset from the XRES pin, or reset from watchdog
V <sub>PPOR1</sub>	PORLEV[1:0] = 01b	–	2.82	2.95	V	
V <sub>PPOR2</sub>	PORLEV[1:0] = 10b	–	4.55	4.70	V	
V <sub>LVD0</sub>	V <sub>DD</sub> value for LVD trip VM[2:0] = 000b	2.40	2.45	2.51 <sup>[21]</sup>	V	
V <sub>LVD1</sub>	VM[2:0] = 001b	2.85	2.92	2.99 <sup>[22]</sup>	V	
V <sub>LVD2</sub>	VM[2:0] = 010b	2.95	3.02	3.09	V	
V <sub>LVD3</sub>	VM[2:0] = 011b	3.06	3.13	3.20	V	
V <sub>LVD4</sub>	VM[2:0] = 100b	4.37	4.48	4.55	V	
V <sub>LVD5</sub>	VM[2:0] = 101b	4.50	4.64	4.75	V	
V <sub>LVD6</sub>	VM[2:0] = 110b	4.62	4.73	4.83	V	
V <sub>LVD7</sub>	VM[2:0] = 111b	4.71	4.81	4.95	V	
V <sub>PUMP0</sub>	V <sub>DD</sub> value for pump trip VM[2:0] = 000b	2.45	2.55	2.62 <sup>[23]</sup>	V	
V <sub>PUMP1</sub>	VM[2:0] = 001b	2.96	3.02	3.09	V	
V <sub>PUMP2</sub>	VM[2:0] = 010b	3.03	3.10	3.16	V	
V <sub>PUMP3</sub>	VM[2:0] = 011b	3.18	3.25	3.32 <sup>[24]</sup>	V	
V <sub>PUMP4</sub>	VM[2:0] = 100b	4.54	4.64	4.74	V	
V <sub>PUMP5</sub>	VM[2:0] = 101b	4.62	4.73	4.83	V	
V <sub>PUMP6</sub>	VM[2:0] = 110b	4.71	4.82	4.92	V	
V <sub>PUMP7</sub>	VM[2:0] = 111b	4.89	5.00	5.12	V	

**Notes**

21. Always greater than 50 mV above V<sub>PPOR</sub> (PORLEV = 00) for falling supply.
22. Always greater than 50 mV above V<sub>PPOR</sub> (PORLEV = 01) for falling supply.
23. Always greater than 50 mV above V<sub>LVD0</sub>.
24. Always greater than 50 mV above V<sub>LVD3</sub>.

*DC Programming Specifications*

Table 14 lists the guaranteed maximum and minimum specifications for the voltage and temperature ranges: 4.75 V to 5.25 V and  $-40\text{ }^{\circ}\text{C} \leq T_A \leq 85\text{ }^{\circ}\text{C}$ , 3.0 V to 3.6 V and  $-40\text{ }^{\circ}\text{C} \leq T_A \leq 85\text{ }^{\circ}\text{C}$ , or 2.4 V to 3.0 V and  $-40\text{ }^{\circ}\text{C} \leq T_A \leq 85\text{ }^{\circ}\text{C}$ , respectively. Typical parameters are measured at 5 V, 3.3 V, or 2.7 V at 25 °C and are for design guidance only.

**Table 14. DC Programming Specifications**

Symbol	Description	Min	Typ	Max	Units	Notes
V <sub>DDP</sub>	V <sub>DD</sub> for programming and erase	4.5	5	5.5	V	This specification applies to the functional requirements of external programmer tools
V <sub>DDL</sub>	Low V <sub>DD</sub> for verify	2.4	2.5	2.6	V	This specification applies to the functional requirements of external programmer tools
V <sub>DDHV</sub>	High V <sub>DD</sub> for verify	5.1	5.2	5.3	V	This specification applies to the functional requirements of external programmer tools
V <sub>DDIWRITE</sub>	Supply voltage for flash write operation	2.7		5.25	V	This specification applies to this device when it is executing internal flash writes
I <sub>DDP</sub>	Supply current during programming or verify	–	5	25	mA	
V <sub>ILP</sub>	Input low voltage during programming or verify	–	–	0.8	V	
V <sub>IHP</sub>	Input high voltage during programming or verify	2.2	–	–	V	
I <sub>ILP</sub>	Input current when applying V <sub>ILP</sub> to P1[0] or P1[1] during programming or verify	–	–	0.2	mA	Driving internal pull-down resistor
I <sub>IHP</sub>	Input current when applying V <sub>IHP</sub> to P1[0] or P1[1] during programming or verify	–	–	1.5	mA	Driving internal pull-down resistor
V <sub>OLV</sub>	Output low voltage during programming or verify	–	–	V <sub>SS</sub> + 0.75	V	
V <sub>OHV</sub>	Output high voltage during programming or verify	V <sub>DD</sub> – 1.0	–	V <sub>DD</sub>	V	
Flash <sub>ENPB</sub>	Flash endurance (per block)	50,000 <sup>[25]</sup>	–	–	–	Erase/write cycles per block
Flash <sub>ENT</sub>	Flash endurance (total) <sup>[26]</sup>	1,800,000	–	–	–	Erase/write cycles
Flash <sub>DR</sub>	Flash data retention	10	–	–	Years	

*DC I<sup>2</sup>C Specifications*

Table 15 lists the guaranteed maximum and minimum specifications for the voltage and temperature ranges: 4.75 V to 5.25 V and  $-40\text{ }^{\circ}\text{C} \leq T_A \leq 85\text{ }^{\circ}\text{C}$ , 3.0 V to 3.6 V and  $-40\text{ }^{\circ}\text{C} \leq T_A \leq 85\text{ }^{\circ}\text{C}$ , or 2.4 V to 3.0 V and  $-40\text{ }^{\circ}\text{C} \leq T_A \leq 85\text{ }^{\circ}\text{C}$ , respectively. Typical parameters are measured at 5 V, 3.3 V, or 2.7 V at 25 °C and are for design guidance only.

**Table 15. DC I<sup>2</sup>C Specifications<sup>[27]</sup>**

Symbol	Description	Min	Typ	Max	Units	Notes
V <sub>ILI2C</sub>	Input low level	–	–	0.3 × V <sub>DD</sub>	V	2.4 V ≤ V <sub>DD</sub> ≤ 3.6 V
		–	–	0.25 × V <sub>DD</sub>	V	4.75 V ≤ V <sub>DD</sub> ≤ 5.25 V
V <sub>IHI2C</sub>	Input high level	0.7 × V <sub>DD</sub>	–	–	V	2.4 V ≤ V <sub>DD</sub> ≤ 5.25 V

**Notes**

25. The 50,000 cycle flash endurance per block is only guaranteed if the flash is operating within one voltage range. Voltage ranges are 2.4 V to 3.0 V, 3.0 V to 3.6 V, and 4.75 V to 5.25 V.
26. A maximum of 36 × 50,000 block endurance cycles is allowed. This may be balanced between operations on 36 × 1 blocks of 50,000 maximum cycles each, 36 × 2 blocks of 25,000 maximum cycles each, or 36 × 4 blocks of 12,500 maximum cycles each (to limit the total number of cycles to 36 × 50,000 and ensure that no single block ever sees more than 50,000 cycles). For the full industrial range, you must employ a temperature sensor user module (FlashTemp) and feed the result to the temperature argument before writing. Refer to the Flash APIs application note AN2015 (Design Aids - Reading and Writing PSoC<sup>®</sup> Flash) for more information.
27. All GPIO meet the DC GPIO VIL and VIH specifications found in the DC GPIO Specifications sections. The I<sup>2</sup>C GPIO pins also meet the above specs.

## AC Electrical Characteristics

### AC Chip-Level Specifications

The following tables list the guaranteed maximum and minimum specifications for the voltage and temperature ranges: 4.75 V to 5.25 V and  $-40\text{ }^{\circ}\text{C} \leq T_A \leq 85\text{ }^{\circ}\text{C}$ , 3.0 V to 3.6 V and  $-40\text{ }^{\circ}\text{C} \leq T_A \leq 85\text{ }^{\circ}\text{C}$ , or 2.4 V to 3.0 V and  $-40\text{ }^{\circ}\text{C} \leq T_A \leq 85\text{ }^{\circ}\text{C}$ , respectively. Typical parameters are measured at 5 V, 3.3 V, or 2.7 V at 25 °C and are for design guidance only.

**Table 16. 5-V and 3.3-V AC Chip-Level Specifications**

Symbol	Description	Min	Typ	Max	Units	Notes
F <sub>IMO24</sub> <sup>[28]</sup>	IMO frequency for 24 MHz	23.4	24	24.6 <sup>[29,30]</sup>	MHz	Trimmed for 5 V or 3.3 V operation using factory trim values. See <a href="#">Figure 12 on page 21</a> . SLIMO mode = 0
F <sub>IMO6</sub> <sup>[28]</sup>	IMO frequency for 6 MHz	5.52	6	6.48 <sup>[29,30]</sup>	MHz	Trimmed for 5 V or 3.3 V operation using factory trim values. See <a href="#">Figure 12 on page 21</a> . SLIMO mode = 1
F <sub>CPU1</sub>	CPU frequency (5 V nominal)	0.091	24	24.6 <sup>[29]</sup>	MHz	24 MHz only for SLIMO mode = 0
F <sub>CPU2</sub>	CPU frequency (3.3 V nominal)	0.091	12	12.3 <sup>[30]</sup>	MHz	SLIMO mode = 0
F <sub>BLK5</sub>	Digital PSoC block frequency (5 V nominal)	0	48	49.2 <sup>[29,31]</sup>	MHz	Refer to <a href="#">AC Digital Block Specifications on page 30</a>
F <sub>BLK33</sub>	Digital PSoC block frequency (3.3 V nominal)	0	24	24.6 <sup>[31]</sup>	MHz	
F <sub>32K1</sub>	ILO frequency	15	32	64	kHz	
F <sub>32K_U</sub>	ILO untrimmed frequency	5	–	100	kHz	After a reset and before the M8C starts to run, the ILO is not trimmed. See the system resets section of the <a href="#">PSoC Technical Reference Manual</a> for details on this timing
t <sub>XRST</sub>	External reset pulse width	10	–	–	μs	
DC <sub>24M</sub>	24 MHz duty cycle	40	50	60	%	
DC <sub>ILO</sub>	ILO duty cycle	20	50	80	%	
Step <sub>24M</sub>	24 MHz trim step size	–	50	–	kHz	
F <sub>out48M</sub>	48 MHz output frequency	46.8	48.0	49.2 <sup>[29,30]</sup>	MHz	Trimmed. Using factory trim values
F <sub>MAX</sub>	Maximum frequency of signal on row input or row output.	–	–	12.3	MHz	
SR <sub>POWER_UP</sub>	Power supply slew rate	–	–	250	V/ms	V <sub>DD</sub> slew rate during power-up
t <sub>POWERUP</sub>	Time from end of POR to CPU executing code	–	16	100	ms	Power-up from 0 V. See the System Resets section of the <a href="#">PSoC Technical Reference Manual</a>
t <sub>jit_IMO</sub>	24-MHz IMO cycle-to-cycle jitter (RMS) <sup>[32]</sup>	–	200	700	ps	
	24-MHz IMO long term N cycle-to-cycle jitter (RMS) <sup>[32]</sup>	–	300	900	ps	N = 32
	24-MHz IMO period jitter (RMS) <sup>[32]</sup>	–	100	400	ps	

#### Notes

28. **Errata:** The worst case IMO frequency deviation when operated below 0 °C and above +70 °C and within the upper and lower datasheet temperature range is ±5%.

29. 4.75 V < V<sub>DD</sub> < 5.25 V.

30. 3.0 V < V<sub>DD</sub> < 3.6 V. See application note [AN2012](#) "Adjusting PSoC Microcontroller Trims for Dual Voltage-Range Operation" for information on trimming for operation at 3.3 V.

31. See the individual user module datasheets for information on maximum frequencies for user modules.

32. Refer to Cypress Jitter Specifications Application Note [AN5054](#) "Understanding Datasheet Jitter Specifications for Cypress Timing Products" at [www.cypress.com](http://www.cypress.com) under Application Notes for more information.

**Table 17. 2.7-V AC Chip-Level Specifications**

Symbol	Description	Min	Typ	Max	Units	Notes
F <sub>IMO12</sub> <sup>[33]</sup>	IMO frequency for 12 MHz	11.04	12	12.96 <sup>[34, 35]</sup>	MHz	Trimmed for 2.7 V operation using factory trim values. See <a href="#">Figure 12 on page 21</a> . SLIMO mode = 1
F <sub>IMO6</sub> <sup>[33]</sup>	IMO frequency for 6 MHz	5.52	6	6.48 <sup>[34, 35]</sup>	MHz	Trimmed for 2.7 V operation using factory trim values. See <a href="#">Figure 12 on page 21</a> . SLIMO mode = 1
F <sub>CPU1</sub>	CPU frequency (2.7 V nominal)	0.093	3	3.15 <sup>[34]</sup>	MHz	12 MHz only for SLIMO mode = 0
F <sub>BLK27</sub>	Digital PSoC block frequency (2.7 V nominal)	0	12	12.5 <sup>[34, 35]</sup>	MHz	Refer to <a href="#">AC Digital Block Specifications on page 30</a>
F <sub>32K1</sub>	ILO frequency	8	32	96	kHz	
F <sub>32K_U</sub>	ILO untrimmed frequency	5	–	100	kHz	After a reset and before the M8C starts to run, the ILO is not trimmed. See the System Resets section of the <a href="#">PSoC Technical Reference Manual</a> for details on this timing
t <sub>XRST</sub>	External reset pulse width	10	–	–	μs	
DC <sub>ILO</sub>	ILO duty cycle	20	50	80	%	
F <sub>MAX</sub>	Maximum frequency of signal on row input or row output.	–	–	12.3	MHz	
SR <sub>POWER_UP</sub>	Power supply slew rate	–	–	250	V/ms	V <sub>DD</sub> slew rate during power-up
t <sub>POWERUP</sub>	Time from end of POR to CPU executing code	–	16	100	ms	Power-up from 0 V. See the System Resets section of the <a href="#">PSoC Technical Reference Manual</a> .
t <sub>jit_IMO</sub>	12 MHz IMO cycle-to-cycle jitter (RMS) <sup>[36]</sup>	–	400	1000	ps	
	12 MHz IMO long term N cycle-to-cycle jitter (RMS) <sup>[36]</sup>	–	600	1300	ps	N = 32
	12 MHz IMO period jitter (RMS) <sup>[36]</sup>	–	100	500	ps	

**Notes**

33. **Errata:** The worst case IMO frequency deviation when operated below 0 °C and above +70 °C and within the upper and lower datasheet temperature range is ±5%.

34. 2.4 V < V<sub>DD</sub> < 3.0 V.

35. See Application Note [AN2012](#) “Adjusting PSoC Microcontroller Trims for Dual Voltage-Range Operation” available at <http://www.cypress.com> for information on maximum frequency for user modules.

36. Refer to Cypress Jitter Specifications Application Note [AN5054](#) “Understanding Datasheet Jitter Specifications for Cypress Timing Products” at [www.cypress.com](http://www.cypress.com) under Application Notes for more information.

*AC General Purpose I/O Specifications*

The following tables list the guaranteed maximum and minimum specifications for the voltage and temperature ranges: 4.75 V to 5.25 V and  $-40\text{ }^{\circ}\text{C} \leq T_A \leq 85\text{ }^{\circ}\text{C}$ , 3.0 V to 3.6 V and  $-40\text{ }^{\circ}\text{C} \leq T_A \leq 85\text{ }^{\circ}\text{C}$ , or 2.4 V to 3.0 V and  $-40\text{ }^{\circ}\text{C} \leq T_A \leq 85\text{ }^{\circ}\text{C}$ , respectively. Typical parameters are measured at 5 V, 3.3 V, or 2.7 V at 25 °C and are for design guidance only.

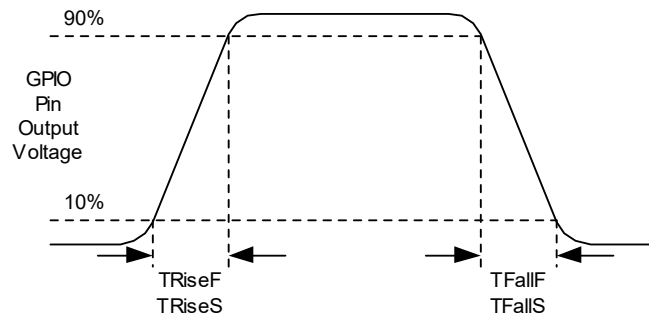
**Table 18. 5-V and 3.3-V AC GPIO Specifications**

Symbol	Description	Min	Typ	Max	Units	Notes
F <sub>GPIO</sub>	GPIO operating frequency	0	–	12	MHz	Normal strong mode
TRiseF	Rise time, normal strong mode, Cload = 50 pF	3	–	18	ns	V <sub>DD</sub> = 4.5 to 5.25 V, 10% to 90%
TFallF	Fall time, normal strong mode, Cload = 50 pF	2	–	18	ns	V <sub>DD</sub> = 4.5 to 5.25 V, 10% to 90%
TRiseS	Rise time, slow strong mode, Cload = 50 pF	7	27	–	ns	V <sub>DD</sub> = 3 to 5.25 V, 10% to 90%
TFallS	Fall time, slow strong mode, Cload = 50 pF	7	22	–	ns	V <sub>DD</sub> = 3 to 5.25 V, 10% to 90%

**Table 19. 2.7 V AC GPIO Specifications**

Symbol	Description	Min	Typ	Max	Units	Notes
F <sub>GPIO</sub>	GPIO operating frequency	0	–	3	MHz	Normal strong mode
TRiseF	Rise time, normal strong mode, Cload = 50 pF	6	–	50	ns	V <sub>DD</sub> = 2.4 to 3.0 V, 10% to 90%
TFallF	Fall time, normal strong mode, Cload = 50 pF	6	–	50	ns	V <sub>DD</sub> = 2.4 to 3.0 V, 10% to 90%
TRiseS	Rise time, slow strong mode, Cload = 50 pF	18	40	120	ns	V <sub>DD</sub> = 2.4 to 3.0 V, 10% to 90%
TFallS	Fall time, slow strong mode, Cload = 50 pF	18	40	120	ns	V <sub>DD</sub> = 2.4 to 3.0 V, 10% to 90%

**Figure 14. GPIO Timing Diagram**



*AC Operational Amplifier Specifications*

Table 20 lists the guaranteed maximum and minimum specifications for the voltage and temperature ranges: 4.75 V to 5.25 V and  $-40\text{ }^{\circ}\text{C} \leq T_A \leq 85\text{ }^{\circ}\text{C}$ , 3.0 V to 3.6 V and  $-40\text{ }^{\circ}\text{C} \leq T_A \leq 85\text{ }^{\circ}\text{C}$ , or 2.4 V to 3.0 V and  $-40\text{ }^{\circ}\text{C} \leq T_A \leq 85\text{ }^{\circ}\text{C}$ , respectively. Typical parameters are measured at 5 V, 3.3 V, or 2.7 V at 25 °C and are for design guidance only.

**Table 20. AC Operational Amplifier Specifications**

Symbol	Description	Min	Typ	Max	Units	Notes
T <sub>COMP</sub>	Comparator mode response time, 50 mV overdrive	–	–	100 200	ns ns	V <sub>DD</sub> ≥ 3.0 V 2.4 V < V <sub>DD</sub> < 3.0 V

**AC Digital Block Specifications**

The following tables list the guaranteed maximum and minimum specifications for the voltage and temperature ranges: 4.75 V to 5.25 V and  $-40\text{ }^{\circ}\text{C} \leq T_A \leq 85\text{ }^{\circ}\text{C}$ , 3.0 V to 3.6 V and  $-40\text{ }^{\circ}\text{C} \leq T_A \leq 85\text{ }^{\circ}\text{C}$ , or 2.4 V to 3.0 V and  $-40\text{ }^{\circ}\text{C} \leq T_A \leq 85\text{ }^{\circ}\text{C}$ , respectively. Typical parameters are measured at 5 V, 3.3 V, or 2.7 V at 25 °C and are for design guidance only.

**Table 21. 5-V and 3.3-V AC Digital Block Specifications**

Function	Description	Min	Typ	Max	Unit	Notes
All functions	Block input clock frequency					
	$V_{DD} \geq 4.75\text{ V}$	–	–	49.2	MHz	
	$V_{DD} < 4.75\text{ V}$	–	–	24.6	MHz	
Timer	Input clock frequency					
	No capture, $V_{DD} \geq 4.75\text{ V}$	–	–	49.2	MHz	
	No capture, $V_{DD} < 4.75\text{ V}$	–	–	24.6	MHz	
	With capture	–	–	24.6	MHz	
	Capture pulse width	50 <sup>[37]</sup>	–	–	ns	
Counter	Input clock frequency					
	No enable input, $V_{DD} \geq 4.75\text{ V}$	–	–	49.2	MHz	
	No enable input, $V_{DD} < 4.75\text{ V}$	–	–	24.6	MHz	
	With enable input	–	–	24.6	MHz	
	Enable input pulse width	50 <sup>[37]</sup>	–	–	ns	
Dead Band	Kill pulse width					
	Asynchronous restart mode	20	–	–	ns	
	Synchronous restart mode	50 <sup>[37]</sup>	–	–	ns	
	Disable mode	50 <sup>[37]</sup>	–	–	ns	
	Input clock frequency					
	$V_{DD} \geq 4.75\text{ V}$	–	–	49.2	MHz	
	$V_{DD} < 4.75\text{ V}$	–	–	24.6	MHz	
CRCPRS (PRS Mode)	Input clock frequency					
	$V_{DD} \geq 4.75\text{ V}$	–	–	49.2	MHz	
	$V_{DD} < 4.75\text{ V}$	–	–	24.6	MHz	
CRCPRS (CRC Mode)	Input clock frequency	–	–	24.6	MHz	
SPIM	Input clock frequency	–	–	8.2	MHz	The SPI serial clock (SCLK) frequency is equal to the input clock frequency divided by 2.
SPIS	Input clock (SCLK) frequency	–	–	4.1	MHz	The input clock is the SPI SCLK in SPIS mode.
	Width of SS_negated between transmissions	50 <sup>[37]</sup>	–	–	ns	
Transmitter	Input clock frequency					The baud rate is equal to the input clock frequency divided by 8.
	$V_{DD} \geq 4.75\text{ V}$ , 2 stop bits	–	–	49.2	MHz	
	$V_{DD} \geq 4.75\text{ V}$ , 1 stop bit	–	–	24.6	MHz	
	$V_{DD} < 4.75\text{ V}$	–	–	24.6	MHz	
Receiver	Input clock frequency					The baud rate is equal to the input clock frequency divided by 8.
	$V_{DD} \geq 4.75\text{ V}$ , 2 stop bits	–	–	49.2	MHz	
	$V_{DD} \geq 4.75\text{ V}$ , 1 stop bit	–	–	24.6	MHz	
	$V_{DD} < 4.75\text{ V}$	–	–	24.6	MHz	

**Note**

37. 50 ns minimum input pulse width is based on the input synchronizers running at 24 MHz (42 ns nominal period).

**Table 22. 2.7-V AC Digital Block Specifications**

Function	Description	Min	Typ	Max	Units	Notes
All functions	Block input clock frequency	–	–	12.7	MHz	2.4 V < V <sub>DD</sub> < 3.0 V
Timer	Capture pulse width	100 <sup>[38]</sup>	–	–	ns	
	Input clock frequency, with or without capture	–	–	12.7	MHz	
Counter	Enable input pulse width	100	–	–	ns	
	Input clock frequency, no enable input	–	–	12.7	MHz	
	Input clock frequency, enable input	–	–	12.7	MHz	
Dead Band	Kill pulse width:					
	Asynchronous restart mode	20	–	–	ns	
	Synchronous restart mode	100	–	–	ns	
	Disable mode	100	–	–	ns	
CRCPRS (PRS Mode)	Input clock frequency	–	–	12.7	MHz	
	Input clock frequency	–	–	12.7	MHz	
SPIM	Input clock frequency	–	–	6.35	MHz	The SPI serial clock (SCLK) frequency is equal to the input clock frequency divided by 2.
SPIS	Input clock (SCLK) frequency	–	–	4.1	MHz	
	Width of SS_ Negated between transmissions	100	–	–	ns	
Transmitter	Input clock frequency	–	–	12.7	MHz	The baud rate is equal to the input clock frequency divided by 8.
Receiver	Input clock frequency	–	–	12.7	MHz	The baud rate is equal to the input clock frequency divided by 8.

*AC External Clock Specifications*

The following tables list the guaranteed maximum and minimum specifications for the voltage and temperature ranges: 4.75 V to 5.25 V and  $-40\text{ }^{\circ}\text{C} \leq T_A \leq 85\text{ }^{\circ}\text{C}$ , or 3.0 V to 3.6 V and  $-40\text{ }^{\circ}\text{C} \leq T_A \leq 85\text{ }^{\circ}\text{C}$ , respectively. Typical parameters are measured at 5 V, 3.3 V, or 2.7 V at 25 °C and are for design guidance only.

**Table 23. 5-V AC External Clock Specifications**

Symbol	Description	Min	Typ	Max	Units	Notes
F <sub>OSCEXT</sub>	Frequency	0.093	–	24.6	MHz	
–	High period	20.6	–	5300	ns	
–	Low period	20.6	–	–	ns	
–	Power-up IMO to switch	150	–	–	µs	

**Note**

38. 100 ns minimum input pulse width is based on the input synchronizers running at 12 MHz (84 ns nominal period).

**Table 24. 3.3-V AC External Clock Specifications**

Symbol	Description	Min	Typ	Max	Units	Notes
F <sub>OSCEXT</sub>	Frequency with CPU clock divide by 1	0.093	–	12.3	MHz	Maximum CPU frequency is 12 MHz at 3.3 V. With the CPU clock divider set to 1, the external clock must adhere to the maximum frequency and duty cycle requirements
F <sub>OSCEXT</sub>	Frequency with CPU clock divide by 2 or greater	0.186	–	24.6	MHz	If the frequency of the external clock is greater than 12 MHz, the CPU clock divider must be set to 2 or greater. In this case, the CPU clock divider ensures that the fifty percent duty cycle requirement is met
–	High period with CPU clock divide by 1	41.7	–	5300	ns	
–	Low period with CPU clock divide by 1	41.7	–	–	ns	
–	Power-up IMO to switch	150	–	–	μs	

**Table 25. 2.7-V AC External Clock Specifications**

Symbol	Description	Min	Typ	Max	Units	Notes
F <sub>OSCEXT</sub>	Frequency with CPU clock divide by 1	0.093	–	3.08	MHz	Maximum CPU frequency is 3 MHz at 2.7 V. With the CPU clock divider set to 1, the external clock must adhere to the maximum frequency and duty cycle requirements
F <sub>OSCEXT</sub>	Frequency with CPU clock divide by 2 or greater	0.186	–	6.35	MHz	If the frequency of the external clock is greater than 3 MHz, the CPU clock divider must be set to 2 or greater. In this case, the CPU clock divider ensures that the fifty percent duty cycle requirement is met
–	High period with CPU clock divide by 1	160	–	5300	ns	
–	Low period with CPU clock divide by 1	160	–	–	ns	
–	Power-up IMO to switch	150	–	–	μs	



### AC Programming Specifications

Table 26 lists the guaranteed maximum and minimum specifications for the voltage and temperature ranges: 4.75 V to 5.25 V and  $-40\text{ }^{\circ}\text{C} \leq T_A \leq 85\text{ }^{\circ}\text{C}$ , or 3.0 V to 3.6 V and  $-40\text{ }^{\circ}\text{C} \leq T_A \leq 85\text{ }^{\circ}\text{C}$ , respectively. Typical parameters are measured at 5 V, 3.3 V, or 2.7 V at 25 °C and are for design guidance only.

**Table 26. AC Programming Specifications**

Symbol	Description	Min	Typ	Max	Units	Notes
$T_{RSCLK}$	Rise time of SCLK	1	–	20	ns	
$T_{FSCLK}$	Fall time of SCLK	1	–	20	ns	
$T_{SSCLK}$	Data setup time to falling edge of SCLK	40	–	–	ns	
$T_{HSCLK}$	Data hold time from falling edge of SCLK	40	–	–	ns	
$F_{SCLK}$	Frequency of SCLK	0	–	8	MHz	
$T_{ERASEB}$	Flash erase time (block)	–	10	–	ms	
$T_{WRITE}$	Flash block write time	–	40	–	ms	
$T_{DSCLK}$	Data out delay from falling edge of SCLK	–	–	45	ns	$3.6 < V_{DD}$
$T_{DSCLK3}$	Data out delay from falling edge of SCLK	–	–	50	ns	$3.0 \leq V_{DD} \leq 3.6$
$T_{DSCLK2}$	Data out delay from falling edge of SCLK	–	–	70	ns	$2.4 \leq V_{DD} \leq 3.0$
$T_{ERASEALL}$	Flash erase time (Bulk)	–	20	–	ms	Erase all blocks and protection fields at once
$T_{PROGRAM\_HOT}$	Flash block erase + flash block write time	–	–	100 <sup>[39]</sup>	ms	$0\text{ }^{\circ}\text{C} \leq T_j \leq 100\text{ }^{\circ}\text{C}$
$T_{PROGRAM\_COLD}$	Flash block erase + flash block write time	–	–	200 <sup>[39]</sup>	ms	$-40\text{ }^{\circ}\text{C} \leq T_j \leq 0\text{ }^{\circ}\text{C}$

### AC I<sup>2</sup>C<sup>[40]</sup> Specifications

The following tables list the guaranteed maximum and minimum specifications for the voltage and temperature ranges: 4.75 V to 5.25 V and  $-40\text{ }^{\circ}\text{C} \leq T_A \leq 85\text{ }^{\circ}\text{C}$ , 3.0 V to 3.6 V and  $-40\text{ }^{\circ}\text{C} \leq T_A \leq 85\text{ }^{\circ}\text{C}$ , or 2.4 V to 3.0 V and  $-40\text{ }^{\circ}\text{C} \leq T_A \leq 85\text{ }^{\circ}\text{C}$ , respectively. Typical parameters are measured at 5 V, 3.3 V, or 2.7 V at 25 °C and are for design guidance only.

**Table 27. AC Characteristics of the I<sup>2</sup>C SDA and SCL Pins for  $V_{DD} \geq 3.0\text{ V}$**

Symbol	Description	Standard Mode		Fast Mode		Units
		Min	Max	Min	Max	
$F_{SCL2C}$	SCL clock frequency	0	100	0	400	kHz
$T_{HDSTA2C}$	Hold time (repeated) start condition. After this period, the first clock pulse is generated	4.0	–	0.6	–	μs
$T_{LOWI2C}$	Low period of the SCL clock	4.7	–	1.3	–	μs
$T_{HIGHI2C}$	High period of the SCL clock	4.0	–	0.6	–	μs
$T_{SUSTA2C}$	Setup time for a repeated start condition	4.7	–	0.6	–	μs
$T_{HDDATI2C}$	Data hold time	0	–	0	–	μs
$T_{SUDATI2C}$	Data setup time	250	–	100 <sup>[41]</sup>	–	ns
$T_{SUSTOI2C}$	Setup time for stop condition	4.0	–	0.6	–	μs
$T_{BUFI2C}$	Bus free time between a stop and start condition	4.7	–	1.3	–	μs
$T_{SPI2C}$	Pulse width of spikes suppressed by the input filter.	–	–	0	50	ns

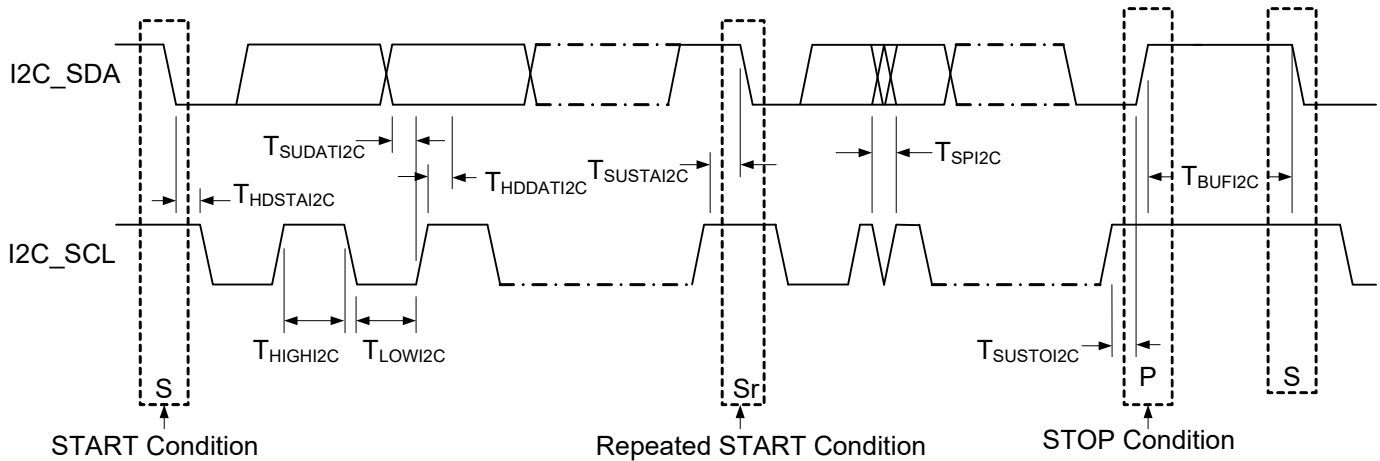
#### Notes

39. For the full industrial range, the user must employ a temperature sensor user module (FlashTemp) and feed the result to the temperature argument before writing. Refer to the Flash APIs application note AN2015 (Design Aids - Reading and Writing PSoC® Flash) for more information.
40. **Errata:** The I<sup>2</sup>C block exhibits occasional data and bus corruption errors when the I<sup>2</sup>C master initiates transactions while the device is transitioning in to or out of sleep mode.
41. A Fast-Mode I<sup>2</sup>C-bus device may be used in a Standard-Mode I<sup>2</sup>C-bus system, but it must meet the requirement  $T_{SU,DAT} \geq 250\text{ ns}$ . This is automatically the case if the device does not stretch the LOW period of the SCL signal. If the device does stretch the LOW period of the SCL signal, it must output the next data bit to the SDA line  $T_{rmax} + T_{SU,DAT} = 1000 + 250 = 1250\text{ ns}$  (according to the Standard-Mode I<sup>2</sup>C-bus specification) before the SCL line is released.

**Table 28. 2.7-V AC Characteristics of the I<sup>2</sup>C SDA and SCL Pins (Fast Mode not Supported)**

Symbol	Description	Standard Mode		Fast Mode		Units
		Min	Max	Min	Max	
F <sub>SCL I2C</sub>	SCL clock frequency	0	100	–	–	kHz
T <sub>HDSTAI2C</sub>	Hold time (repeated) start condition. After this period, the first clock pulse is generated.	4.0	–	–	–	μs
T <sub>LOWI2C</sub>	Low period of the SCL clock	4.7	–	–	–	μs
T <sub>HIGHI2C</sub>	High period of the SCL clock	4.0	–	–	–	μs
T <sub>SUSTAI2C</sub>	Setup time for a repeated start condition	4.7	–	–	–	μs
T <sub>HDDATI2C</sub>	Data hold time	0	–	–	–	μs
T <sub>SUDATI2C</sub>	Data setup time	250	–	–	–	ns
T <sub>SUSTOI2C</sub>	Setup time for stop condition	4.0	–	–	–	μs
T <sub>BUFI2C</sub>	Bus free time between a stop and start condition	4.7	–	–	–	μs
T <sub>SPI2C</sub>	Pulse width of spikes are suppressed by the input filter.	–	–	–	–	ns

**Figure 15. Definition for Timing for Fast/Standard Mode on the I<sup>2</sup>C Bus**

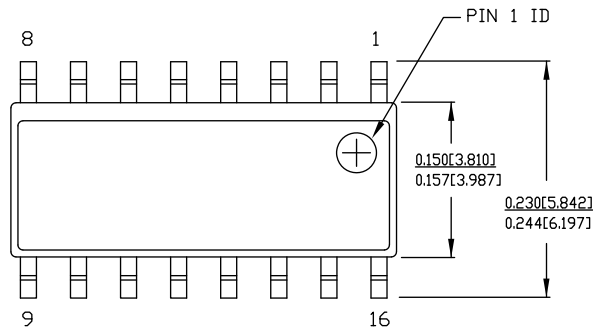


## Packaging Information

This section shows the packaging specifications for the CY8C21x34 PSoC device with the thermal impedances for each package.

**Important Note** Emulation tools may require a larger area on the target PCB than the chip's footprint. For a detailed description of the emulation tools' dimensions, refer to the emulator pod drawings at <http://www.cypress.com>.

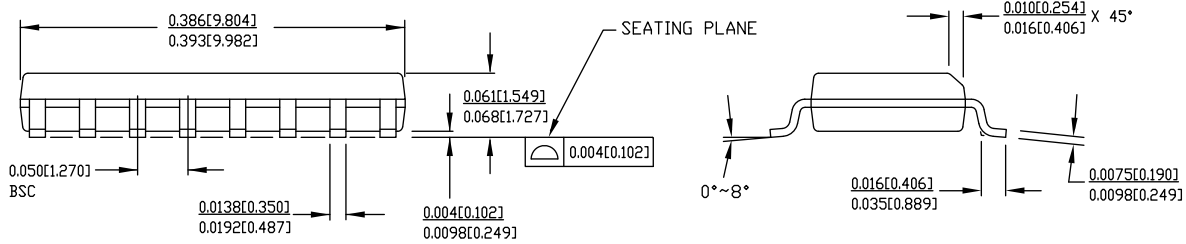
**Figure 16. 16-pin SOIC (150 Mils) Package Outline, 51-85068**



NOTE:

1. DIMENSIONS IN INCHES[MM] MIN./MAX.
2. REFERENCE JEDEC MS-012
3. PACKAGE WEIGHT : refer to IPC 1752 Material Declaration.

PART #	
S16.15	STANDARD PKG.
SZ16.15	LEAD FREE PKG.



51-85068 \*F

Figure 17. 20-pin SSOP (210 Mils) Package Outline, 51-85077

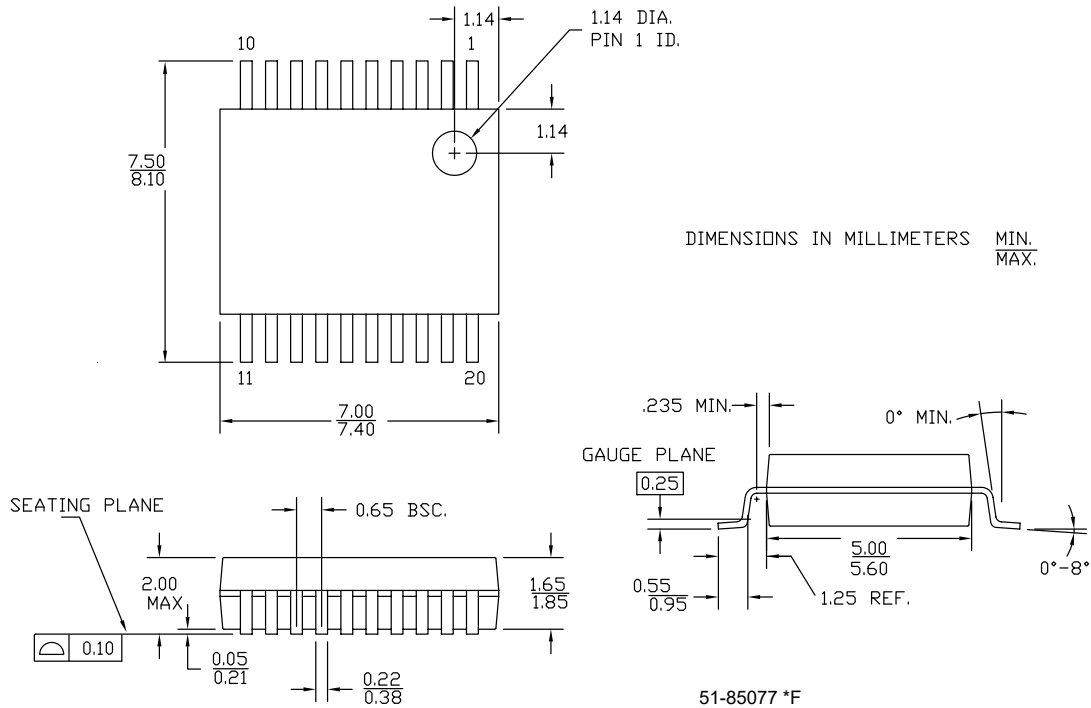


Figure 18. 28-pin SSOP (210 Mils) Package Outline, 51-85079

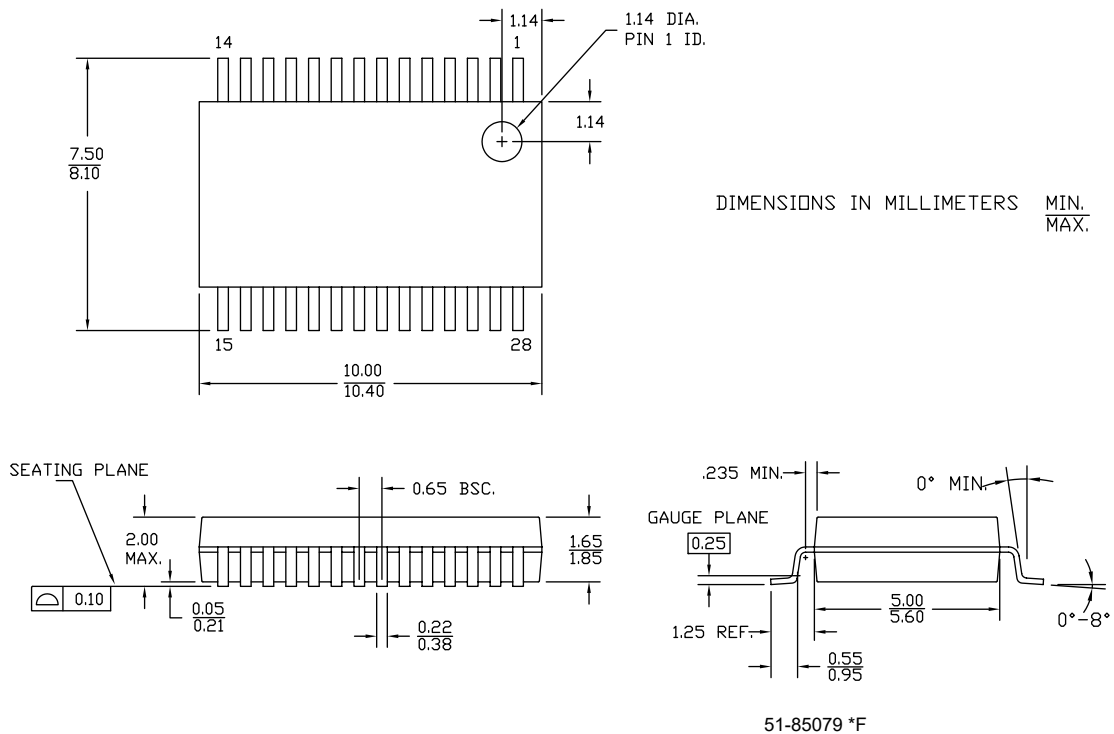
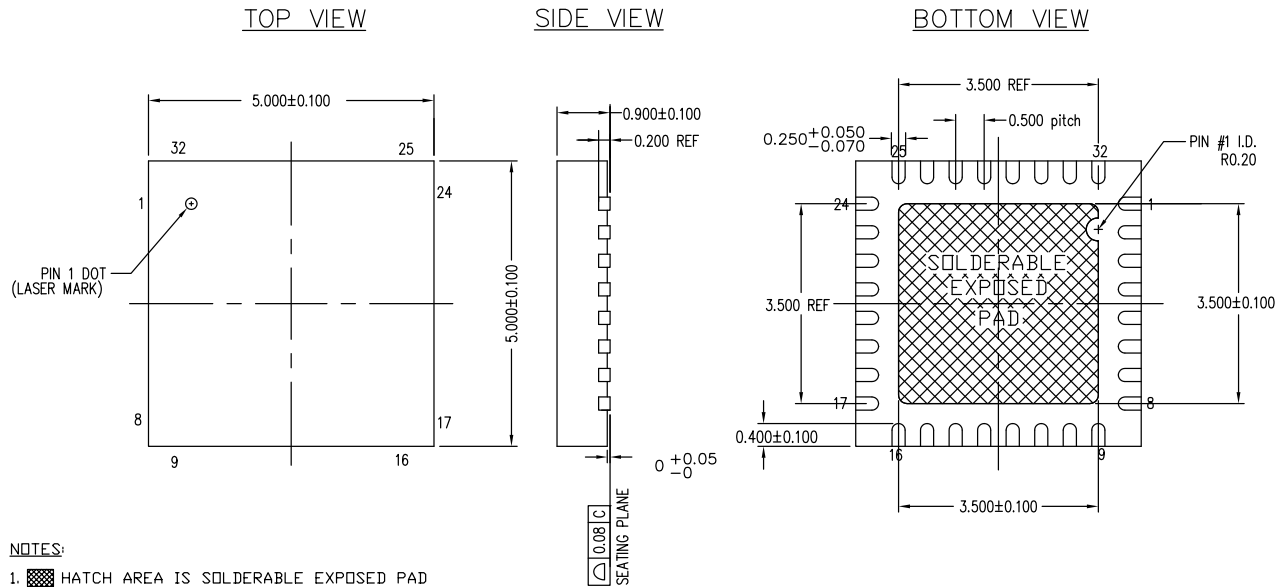



Figure 19. 32-pin QFN (5 × 5 × 1.0 mm) Package Outline, 001-30999



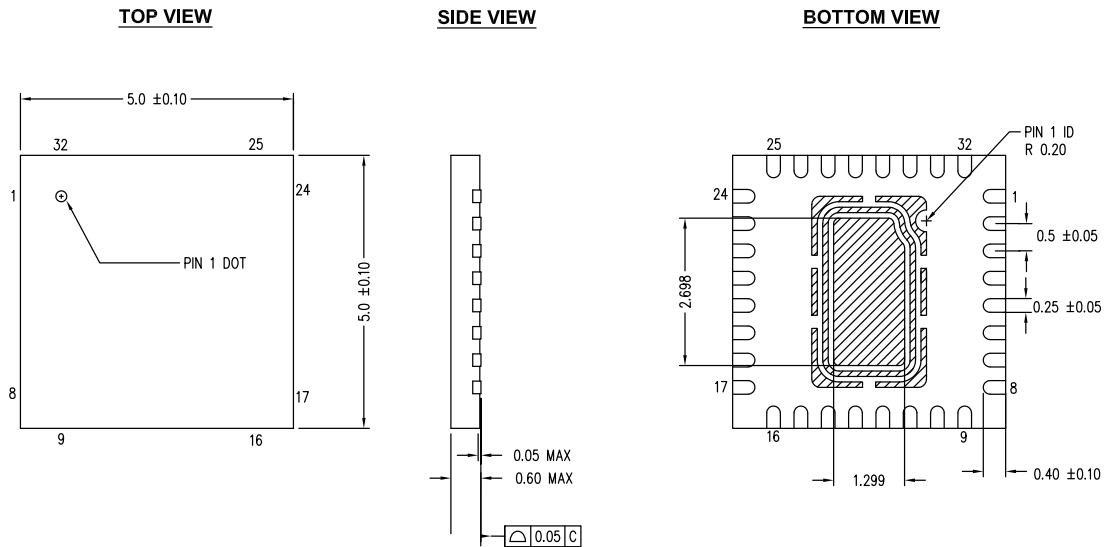
NOTES:

1.  HATCH AREA IS SOLDERABLE EXPOSED PAD
2. BASED ON REF JEDEC # MO-220
3. DIMENSIONS ARE IN MILLIMETERS
4. PACKAGE WEIGHT: SEE CYPRESS PACKAGE MATERIAL DECLARATION DATASHEET (PMDD) POSTED ON THE CYPRESS WEB

001-30999 \*D

**Important Note** For information on the preferred dimensions for mounting QFN packages, see the *Application Note EROS - Design Guidelines for Cypress Quad Flat No Extended Lead (QFN) Packaged Devices* available at <http://www.cypress.com>.

Figure 20. 32-pin QFN ((5 × 5 × 0.55 mm) 1.3 × 2.7 E-Pad (Sawn Type)) Package Outline, 001-48913

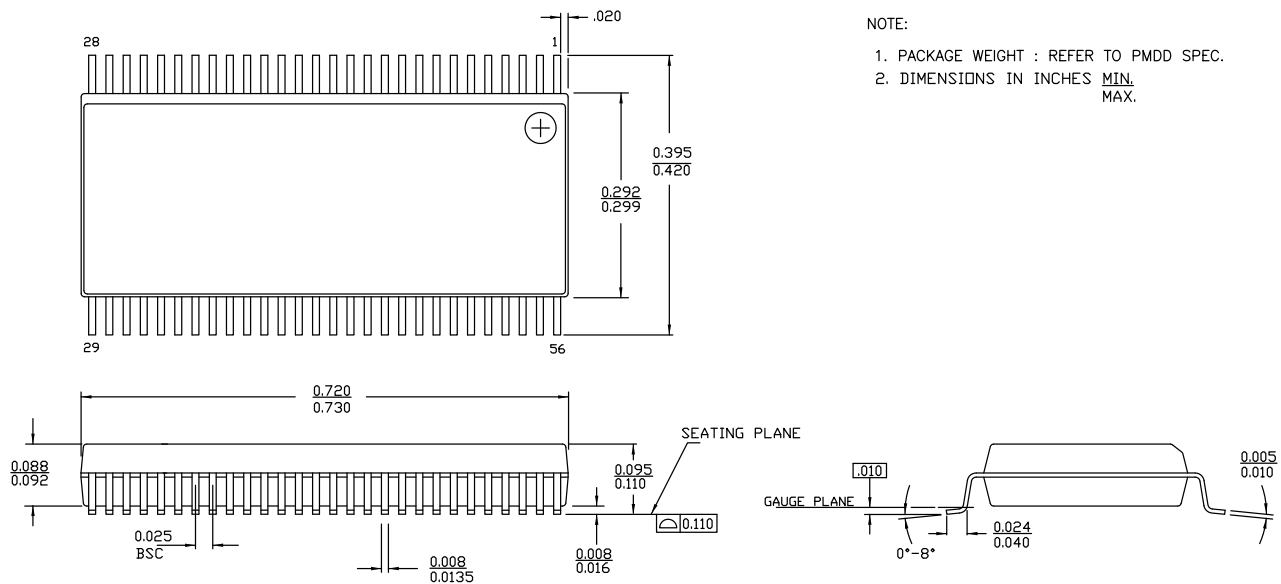


NOTES:

1. HATCH AREA IS SOLDERABLE EXPOSED PAD
2. BASED ON REF JEDEC # MO-248
3. PACKAGE WEIGHT: 38mg ± 4 mg
4. ALL DIMENSIONS ARE IN MILLIMETERS

001-48913 \*E

Figure 21. 56-pin SSOP (300 Mils) Package Outline, 51-85062



NOTE:

1. PACKAGE WEIGHT : REFER TO PMDD SPEC.
2. DIMENSIONS IN INCHES MIN. MAX.

51-85062 \*F

## Thermal Impedances

**Table 29. Thermal Impedances per Package**

Package	Typical $\theta_{JA}$ <sup>[42]</sup>	Typical $\theta_{JC}$
16-pin SOIC	123 °C/W	55 °C/W
20-pin SSOP	117 °C/W	41 °C/W
28-pin SSOP	96 °C/W	39 °C/W
32-pin QFN <sup>[43]</sup> 5 × 5 mm 0.60 Max	27 °C/W	15 °C/W
32-pin QFN <sup>[43]</sup> 5 × 5 mm 1.00 Max	22 °C/W	12 °C/W
56-pin SSOP	48 °C/W	24 °C/W

## Solder Reflow Specifications

Table 30 shows the solder reflow temperature limits that must not be exceeded.

**Table 30. Solder Reflow Specifications**

Package	Maximum Peak Temperature ( $T_C$ )	Maximum Time above $T_C - 5\text{ °C}$
16-pin SOIC	260 °C	30 seconds
20-pin SSOP	260 °C	30 seconds
28-pin SSOP	260 °C	30 seconds
32-pin QFN	260 °C	30 seconds
56-pin SSOP	260 °C	30 seconds

### Notes

42.  $T_J = T_A + \text{Power} \times \theta_{JA}$

43. To achieve the thermal impedance specified for the QFN package, refer to *Application Note EROS - Design Guidelines for Cypress Quad Flat No Extended Lead (QFN) Packaged Devices* available at <http://www.cypress.com>.

44. Higher temperatures may be required based on the solder melting point. Typical temperatures for solder are  $220 \pm 5\text{ °C}$  with Sn-Pb or  $245 \pm 5\text{ °C}$  with Sn-Ag-Cu paste. Refer to the solder manufacturer specifications.

## Development Tool Selection

This section presents the development tools available for all current PSoC device families including the CY8C21x34 family.

### Software

#### *PSoC Designer™*

At the core of the PSoC development software suite is PSoC Designer, used to generate PSoC firmware applications. PSoC Designer is available free of charge at <http://www.cypress.com> and includes a free C compiler.

#### *PSoC Programmer*

Flexible enough to be used on the bench in development, yet suitable for factory programming, PSoC Programmer works either as a standalone programming application or operates directly from PSoC Designer. PSoC Programmer software is compatible with both PSoC ICE-Cube In-Circuit Emulator and PSoC MiniProg. PSoC programmer is available free of charge at <http://www.cypress.com>.

### Development Kits

All development kits can be purchased from the Cypress Online Store.

#### CY3215-DK Basic Development Kit

The **CY3215-DK** is for prototyping and development with PSoC Designer. This kit supports in-circuit emulation, and the software interface allows you to run, halt, and single step the processor, and view the content of specific memory locations. Advance emulation features also supported through PSoC Designer. The kit includes:

- PSoC Designer software CD
- ICE-Cube in-circuit emulator
- ICE Flex-Pod for CY8C29x66 family
- Cat-5 adapter
- Mini-Eval programming board
- 110 ~ 240 V power supply, Euro-Plug adapter
- iMAGEcraft C compiler
- ISSP cable
- USB 2.0 cable and Blue Cat-5 cable
- Two CY8C29466-24PXI 28-PDIP chip samples

### Evaluation Tools

All evaluation tools can be purchased from the Cypress Online Store.

#### *CY3210-MiniProg1*

The **CY3210-MiniProg1 kit** allows you to program PSoC devices through the MiniProg1 programming unit. The MiniProg is a small, compact prototyping programmer that connects to the PC through a provided USB 2.0 cable. The kit includes:

- MiniProg programming unit
- MiniEval socket programming and evaluation board
- 28-pin CY8C29466-24PXI PDIP PSoC device sample
- 28-pin CY8C27443-24PXI PDIP PSoC device sample
- PSoC Designer software CD
- Getting Started guide
- USB 2.0 cable

#### *CY3210-PSoCEval1*

The **CY3210-PSoCEval1 kit** features an evaluation board and the MiniProg1 programming unit. The evaluation board includes an LCD module, potentiometer, LEDs, and plenty of breadboarding space to meet all of your evaluation needs. The kit includes:

- Evaluation board with LCD module
- MiniProg programming unit
- Two 28-pin CY8C29466-24PXI PDIP PSoC device samples
- PSoC Designer software CD
- Getting Started guide
- USB 2.0 cable

#### *CY3214-PSoCEvalUSB*

The **CY3214-PSoCEvalUSB evaluation kit** features a development board for the CY8C24794-24LFXI PSoC device. The board includes both USB and capacitive sensing development and debugging support. This evaluation board also includes an LCD module, potentiometer, LEDs, an enunciator and plenty of breadboarding space to meet all of your evaluation needs. The kit includes:

- PSoCEvalUSB board
- LCD module
- MiniProg programming unit
- Mini USB cable
- PSoC Designer and example projects CD
- Getting Started guide
- Wire pack



## Device Programmers

All device programmers can be purchased from the Cypress Online Store.

### CY3216 Modular Programmer

The [CY3216 Modular Programmer kit](#) features a modular programmer and the MiniProg1 programming unit. The modular programmer includes three programming module cards and supports multiple Cypress products. The kit includes:

- Modular programmer base
- Three programming module cards
- MiniProg programming unit
- PSoC Designer software CD
- Getting Started guide
- USB 2.0 cable

### CY3207ISSP In-System Serial Programmer (ISSP)

The [CY3207ISSP](#) is a production programmer. It includes protection circuitry and an industrial case that is more robust than the MiniProg in a production-programming environment.

**Note** CY3207ISSP needs special software and is not compatible with PSoC Programmer. The kit includes:

- CY3207 programmer unit
- PSoC ISSP software CD
- 110 ~ 240 V power supply, Euro-Plug adapter
- USB 2.0 cable

## Accessories (Emulation and Programming)

**Table 31. Emulation and Programming Accessories**

Part Number	Pin Package	Flex-Pod Kit <sup>[45]</sup>	Foot Kit <sup>[46]</sup>	Adapter
CY8C21234-24SXI	16-pin SOIC	CY3250-21X34	CY3250-16SOIC-FK	Adapters can be found at <a href="http://www.emulation.com">http://www.emulation.com</a> .
CY8C21334-24PVXI	20-pin SSOP	CY3250-21X34	CY3250-20SSOP-FK	
CY8C21534-24PVXI	28-pin SSOP	CY3250-21X34	CY3250-28SSOP-FK	

### Notes

45. Flex-Pod kit includes a practice flex-pod and a practice PCB, in addition to two flex-pods.

46. Foot kit includes surface mount feet that can be soldered to the target PCB.

## Ordering Information

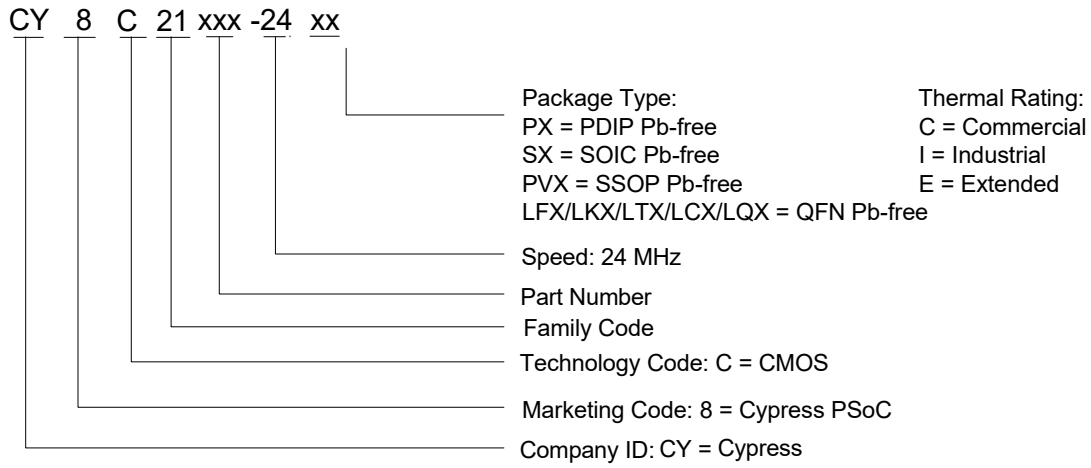
Package	Ordering Code	Flash (Bytes)	SRAM (Bytes)	Switch Mode Pump	Temperature Range	Digital Blocks	Analog Blocks	Digital I/O Pins	Analog Inputs	Analog Outputs	XRES Pin
16-Pin (150-Mil) SOIC	CY8C21234-24SXI	8K	512	Yes	-40 °C to +85 °C	4	4	12	12 <sup>[47]</sup>	0	No
16-Pin (150-Mil) SOIC (Tape and Reel)	CY8C21234-24SXIT	8K	512	Yes	-40 °C to +85 °C	4	4	12	12 <sup>[47]</sup>	0	No
20-Pin (210-Mil) SSOP	CY8C21334-24PVXI	8K	512	No	-40 °C to +85 °C	4	4	16	16 <sup>[47]</sup>	0	Yes
20-Pin (210-Mil) SSOP (Tape and Reel)	CY8C21334-24PVXIT	8K	512	No	-40 °C to +85 °C	4	4	16	16 <sup>[47]</sup>	0	Yes
28-Pin (210-Mil) SSOP	CY8C21534-24PVXI	8K	512	No	-40 °C to +85 °C	4	4	24	24 <sup>[47]</sup>	0	Yes
28-Pin (210-Mil) SSOP (Tape and Reel)	CY8C21534-24PVXIT	8K	512	No	-40 °C to +85 °C	4	4	24	24 <sup>[47]</sup>	0	Yes
32-Pin (5 × 5 mm 1.00 max) Sawn QFN	CY8C21434-24LTXI	8K	512	No	-40 °C to +85 °C	4	4	28	28 <sup>[47]</sup>	0	Yes
32-Pin (5 × 5 mm 1.00 max) Sawn QFN <sup>[48]</sup> (Tape and Reel)	CY8C21434-24LTXIT	8K	512	No	-40 °C to +85 °C	4	4	28	28 <sup>[47]</sup>	0	Yes
32-Pin (5 × 5 mm 0.60 max) Thin Sawn QFN	CY8C21434-24LQXI	8K	512	No	-40 °C to +85 °C	4	4	28	28 <sup>[47]</sup>	0	Yes
32-Pin (5 × 5 mm 0.60 max) Thin Sawn QFN (Tape and Reel)	CY8C21434-24LQXIT	8K	512	No	-40 °C to +85 °C	4	4	28	28 <sup>[47]</sup>	0	Yes
32-Pin (5 × 5 mm 1.00 max) Sawn QFN <sup>[48]</sup>	CY8C21634-24LTXI	8K	512	Yes	-40 °C to +85 °C	4	4	26	26 <sup>[47]</sup>	0	Yes
32-Pin (5 × 5 mm 1.00 max) Sawn QFN <sup>[48]</sup> (Tape and Reel)	CY8C21634-24LTXIT	8K	512	Yes	-40 °C to +85 °C	4	4	26	26 <sup>[47]</sup>	0	Yes
56-Pin OCD SSOP	CY8C21001-24PVXI	8K	512	Yes	-40 °C to +85 °C	4	4	26	26 <sup>[47]</sup>	0	Yes
	CY8C21434-12X14I	Please contact <a href="#">sales office</a> or Field Applications Engineer (FAE) for more information.									

**Note** For Die sales information, contact a local Cypress sales office or Field Applications Engineer (FAE).

**Notes**

- 47. All Digital I/O Pins also connect to the common analog mux.
- 48. Refer to the section [32-pin Part Pinout on page 12](#) for pin differences.

**Ordering Code Definitions**



## Acronyms

Table 32 lists the acronyms that are used in this document.

**Table 32. Acronyms Used**

Acronym	Description	Acronym	Description
AC	alternating current	MIPS	million instructions per second
ADC	analog-to-digital converter	OCD	on-chip debug
API	application programming interface	PCB	printed circuit board
CMOS	complementary metal oxide semiconductor	PDIP	plastic dual-in-line package
CPU	central processing unit	PGA	programmable gain amplifier
CRC	cyclic redundancy check	PLL	phase-locked loop
CT	continuous time	POR	power on reset
DAC	digital-to-analog converter	PPOR	precision power on reset
DC	direct current	PRS	pseudo-random sequence
DTMF	dual-tone multi-frequency	PSoC <sup>®</sup>	Programmable System-on-Chip
ECO	external crystal oscillator	PWM	pulse width modulator
EEPROM	electrically erasable programmable read-only memory	QFN	quad flat no leads
GPIO	general purpose I/O	RTC	real time clock
ICE	in-circuit emulator	SAR	successive approximation
IDE	integrated development environment	SC	switched capacitor
ILO	internal low speed oscillator	SLIMO	slow IMO
IMO	internal main oscillator	SMP	switch-mode pump
I/O	input/output	SOIC	small-outline integrated circuit
IrDA	infrared data association	SPI <sup>™</sup>	serial peripheral interface
ISSP	in-system serial programming	SRAM	static random access memory
LCD	liquid crystal display	SROM	supervisory read only memory
LED	light-emitting diode	SSOP	shrink small-outline package
LPC	low power comparator	UART	universal asynchronous receiver / transmitter
LVD	low voltage detect	USB	universal serial bus
MAC	multiply-accumulate	WDT	watchdog timer
MCU	microcontroller unit	XRES	external reset

## Reference Documents

*CY8CPLC20, CY8CLED16P01, CY8C29x66, CY8C27x43, CY8C24x94, CY8C24x23, CY8C24x23A, CY8C22x13, CY8C21x34, CY8C21x23, CY7C64215, CY7C603xx, CY8CNP1xx, and CYWUSB6953 PSoC<sup>®</sup> Programmable System-on-Chip Technical Reference Manual (TRM) (001-14463)*

*Design Aids – Reading and Writing PSoC<sup>®</sup> Flash - AN2015 (001-40459)*

*Application Notes for Surface Mount Assembly of Amkor's MicroLeadFrame (MLF) Packages – available at <http://www.amkor.com>.*

## Document Conventions

### Units of Measure

Table 33 lists the units of measures.

**Table 33. Units of Measure**

Symbol	Unit of Measure	Symbol	Unit of Measure
kB	1024 bytes	μH	micro henry
dB	decibels	μs	microsecond
°C	degree Celsius	ms	millisecond
μF	microfarad	ns	nanosecond
fF	femto farad	ps	picosecond
pF	picofarad	μV	microvolt
kHz	kilohertz	mV	millivolts
MHz	megahertz	mVpp	millivolts peak-to-peak
rt-Hz	root hertz	nV	nano volt
kΩ	kilo ohm	V	volt
Ω	ohm	μW	microwatt
μA	microampere	W	watt
mA	milliampere	mm	millimeter
nA	nano ampere	ppm	parts per million
pA	pico ampere	%	percent
mH	millihenry		

### Numeric Conventions

Hexadecimal numbers are represented with all letters in uppercase with an appended lowercase 'h' (for example, '14h' or '3Ah'). Hexadecimal numbers may also be represented by a '0x' prefix, the C coding convention. Binary numbers have an appended lowercase 'b' (for example, '01010100b' or '01000011b'). Numbers not indicated by an 'h' or 'b' are decimals.

### Glossary

active high	<ol style="list-style-type: none"> <li>1. A logic signal having its asserted state as the logic 1 state.</li> <li>2. A logic signal having the logic 1 state as the higher voltage of the two states.</li> </ol>
analog blocks	The basic programmable opamp circuits. These are SC (switched capacitor) and CT (continuous time) blocks. These blocks can be interconnected to provide ADCs, DACs, multi-pole filters, gain stages, and much more.
analog-to-digital (ADC)	A device that changes an analog signal to a digital signal of corresponding magnitude. Typically, an ADC converts a voltage to a digital number. The digital-to-analog (DAC) converter performs the reverse operation.
Application programming interface (API)	A series of software routines that comprise an interface between a computer application and lower level services and functions (for example, user modules and libraries). APIs serve as building blocks for programmers that create software applications.
asynchronous	A signal whose data is acknowledged or acted upon immediately, irrespective of any clock signal.
bandgap reference	A stable voltage reference design that matches the positive temperature coefficient of VT with the negative temperature coefficient of VBE, to produce a zero temperature coefficient (ideally) reference.
bandwidth	<ol style="list-style-type: none"> <li>1. The frequency range of a message or information processing system measured in hertz.</li> <li>2. The width of the spectral region over which an amplifier (or absorber) has substantial gain (or loss); it is sometimes represented more specifically as, for example, full width at half maximum.</li> </ol>

## Glossary (continued)

bias	<ol style="list-style-type: none"><li>1. A systematic deviation of a value from a reference value.</li><li>2. The amount by which the average of a set of values departs from a reference value.</li><li>3. The electrical, mechanical, magnetic, or other force (field) applied to a device to establish a reference level to operate the device.</li></ol>
block	<ol style="list-style-type: none"><li>1. A functional unit that performs a single function, such as an oscillator.</li><li>2. A functional unit that may be configured to perform one of several functions, such as a digital PSoC block or an analog PSoC block.</li></ol>
buffer	<ol style="list-style-type: none"><li>1. A storage area for data that is used to compensate for a speed difference, when transferring data from one device to another. Usually refers to an area reserved for IO operations, into which data is read, or from which data is written.</li><li>2. A portion of memory set aside to store data, often before it is sent to an external device or as it is received from an external device.</li><li>3. An amplifier used to lower the output impedance of a system.</li></ol>
bus	<ol style="list-style-type: none"><li>1. A named connection of nets. Bundling nets together in a bus makes it easier to route nets with similar routing patterns.</li><li>2. A set of signals performing a common function and carrying similar data. Typically represented using vector notation; for example, address[7:0].</li><li>3. One or more conductors that serve as a common connection for a group of related devices.</li></ol>
clock	The device that generates a periodic signal with a fixed frequency and duty cycle. A clock is sometimes used to synchronize different logic blocks.
comparator	An electronic circuit that produces an output voltage or current whenever two input levels simultaneously satisfy predetermined amplitude requirements.
compiler	A program that translates a high level language, such as C, into machine language.
configuration space	In PSoC devices, the register space accessed when the XIO bit, in the CPU_F register, is set to '1'.
crystal oscillator	An oscillator in which the frequency is controlled by a piezoelectric crystal. Typically a piezoelectric crystal is less sensitive to ambient temperature than other circuit components.
cyclic redundancy check (CRC)	A calculation used to detect errors in data communications, typically performed using a linear feedback shift register. Similar calculations may be used for a variety of other purposes such as data compression.
data bus	A bi-directional set of signals used by a computer to convey information from a memory location to the central processing unit and vice versa. More generally, a set of signals used to convey data between digital functions.
debugger	A hardware and software system that allows you to analyze the operation of the system under development. A debugger usually allows the developer to step through the firmware one step at a time, set break points, and analyze memory.
dead band	A period of time when neither of two or more signals are in their active state or in transition.
digital blocks	The 8-bit logic blocks that can act as a counter, timer, serial receiver, serial transmitter, CRC generator, pseudo-random number generator, or SPI.
digital-to-analog (DAC)	A device that changes a digital signal to an analog signal of corresponding magnitude. The analog-to-digital (ADC) converter performs the reverse operation.

## Glossary (continued)

duty cycle	The relationship of a clock period high time to its low time, expressed as a percent.
emulator	Duplicates (provides an emulation of) the functions of one system with a different system, so that the second system appears to behave like the first system.
External Reset (XRES)	An active high signal that is driven into the PSoC device. It causes all operation of the CPU and blocks to stop and return to a pre-defined state.
Flash	An electrically programmable and erasable, non-volatile technology that provides you the programmability and data storage of EPROMs, plus in-system erasability. Non-volatile means that the data is retained when power is OFF.
Flash block	The smallest amount of Flash ROM space that may be programmed at one time and the smallest amount of Flash space that may be protected. A Flash block holds 64 bytes.
frequency	The number of cycles or events per unit of time, for a periodic function.
gain	The ratio of output current, voltage, or power to input current, voltage, or power, respectively. Gain is usually expressed in dB.
I <sup>2</sup> C	A two-wire serial computer bus by Philips Semiconductors (now NXP Semiconductors). I2C is an Inter-Integrated Circuit. It is used to connect low-speed peripherals in an embedded system. The original system was created in the early 1980s as a battery control interface, but it was later used as a simple internal bus system for building control electronics. I2C uses only two bi-directional pins, clock and data, both running at +5 V and pulled high with resistors. The bus operates at 100 kbits/second in standard mode and 400 kbits/second in fast mode.
ICE	The in-circuit emulator that allows you to test the project in a hardware environment, while viewing the debugging device activity in a software environment (PSoC Designer).
input/output (I/O)	A device that introduces data into or extracts data from a system.
interrupt	A suspension of a process, such as the execution of a computer program, caused by an event external to that process, and performed in such a way that the process can be resumed.
interrupt service routine (ISR)	A block of code that normal code execution is diverted to when the M8C receives a hardware interrupt. Many interrupt sources may each exist with its own priority and individual ISR code block. Each ISR code block ends with the RETI instruction, returning the device to the point in the program where it left normal program execution.
jitter	<ol style="list-style-type: none"><li>1. A misplacement of the timing of a transition from its ideal position. A typical form of corruption that occurs on serial data streams.</li><li>2. The abrupt and unwanted variations of one or more signal characteristics, such as the interval between successive pulses, the amplitude of successive cycles, or the frequency or phase of successive cycles.</li></ol>
low-voltage detect (LVD)	A circuit that senses V <sub>dd</sub> and provides an interrupt to the system when V <sub>dd</sub> falls below a selected threshold.
M8C	An 8-bit Harvard-architecture microprocessor. The microprocessor coordinates all activity inside a PSoC by interfacing to the Flash, SRAM, and register space.
master device	A device that controls the timing for data exchanges between two devices. Or when devices are cascaded in width, the master device is the one that controls the timing for data exchanges between the cascaded devices and an external interface. The controlled device is called the <b>slave device</b> .

## Glossary (continued)

microcontroller	An integrated circuit chip that is designed primarily for control systems and products. In addition to a CPU, a microcontroller typically includes memory, timing circuits, and IO circuitry. The reason for this is to permit the realization of a controller with a minimal quantity of chips, thus achieving maximal possible miniaturization. This in turn, reduces the volume and the cost of the controller. The microcontroller is normally not used for general-purpose computation as is a microprocessor.
mixed-signal	The reference to a circuit containing both analog and digital techniques and components.
modulator	A device that imposes a signal on a carrier.
noise	<ol style="list-style-type: none"><li>1. A disturbance that affects a signal and that may distort the information carried by the signal.</li><li>2. The random variations of one or more characteristics of any entity such as voltage, current, or data.</li></ol>
oscillator	A circuit that may be crystal controlled and is used to generate a clock frequency.
parity	A technique for testing transmitting data. Typically, a binary digit is added to the data to make the sum of all the digits of the binary data either always even (even parity) or always odd (odd parity).
Phase-locked loop (PLL)	An electronic circuit that controls an <b>oscillator</b> so that it maintains a constant phase angle relative to a reference signal.
pinouts	The pin number assignment: the relation between the logical inputs and outputs of the PSoC device and their physical counterparts in the printed circuit board (PCB) package. Pinouts involve pin numbers as a link between schematic and PCB design (both being computer generated files) and may also involve pin names.
port	A group of pins, usually eight.
Power on reset (POR)	A circuit that forces the PSoC device to reset when the voltage is below a pre-set level. This is one type of hardware reset.
PSoC®	Cypress Semiconductor's PSoC® is a registered trademark and Programmable System-on-Chip™ is a trademark of Cypress.
PSoC Designer™	The software for Cypress' Programmable System-on-Chip technology.
pulse width modulator (PWM)	An output in the form of duty cycle which varies as a function of the applied measurand
RAM	An acronym for random access memory. A data-storage device from which data can be read out and new data can be written in.
register	A storage device with a specific capacity, such as a bit or byte.
reset	A means of bringing a system back to a know state. See hardware reset and software reset.
ROM	An acronym for read only memory. A data-storage device from which data can be read out, but new data cannot be written in.
serial	<ol style="list-style-type: none"><li>1. Pertaining to a process in which all events occur one after the other.</li><li>2. Pertaining to the sequential or consecutive occurrence of two or more related activities in a single device or channel.</li></ol>
settling time	The time it takes for an output signal or value to stabilize after the input has changed from one value to another.



## Glossary (continued)

shift register	A memory storage device that sequentially shifts a word either left or right to output a stream of serial data.
slave device	A device that allows another device to control the timing for data exchanges between two devices. Or when devices are cascaded in width, the slave device is the one that allows another device to control the timing of data exchanges between the cascaded devices and an external interface. The controlling device is called the master device.
SRAM	An acronym for static random access memory. A memory device where you can store and retrieve data at a high rate of speed. The term static is used because, after a value is loaded into an SRAM cell, it remains unchanged until it is explicitly altered or until power is removed from the device.
SROM	An acronym for supervisory read only memory. The SROM holds code that is used to boot the device, calibrate circuitry, and perform Flash operations. The functions of the SROM may be accessed in normal user code, operating from Flash.
stop bit	A signal following a character or block that prepares the receiving device to receive the next character or block.
synchronous	<ol style="list-style-type: none"><li>1. A signal whose data is not acknowledged or acted upon until the next active edge of a clock signal.</li><li>2. A system whose operation is synchronized by a clock signal.</li></ol>
tri-state	A function whose output can adopt three states: 0, 1, and Z (high-impedance). The function does not drive any value in the Z state and, in many respects, may be considered to be disconnected from the rest of the circuit, allowing another output to drive the same net.
UART	A UART or universal asynchronous receiver-transmitter translates between parallel bits of data and serial bits.
user modules	Pre-build, pre-tested hardware/firmware peripheral functions that take care of managing and configuring the lower level Analog and Digital PSoC Blocks. User Modules also provide high level <b>API (Application Programming Interface)</b> for the peripheral function.
user space	The bank 0 space of the register map. The registers in this bank are more likely to be modified during normal program execution and not just during initialization. Registers in bank 1 are most likely to be modified only during the initialization phase of the program.
V <sub>DD</sub>	A name for a power net meaning “voltage drain”. The most positive power supply signal. Usually 5 V or 3.3 V.
V <sub>SS</sub>	A name for a power net meaning “voltage source”. The most negative power supply signal.
watchdog timer	A timer that must be serviced periodically. If it is not serviced, the CPU resets after a specified period of time.

## Errata

This section describes the errata for the PSoC® Programmable System-on-Chip CY8C21X34. Details include errata trigger conditions, scope of impact, available workarounds, and silicon revision applicability.

Contact your local Cypress Sales Representative if you have questions.

### Part Numbers Affected

Part Number	Ordering Information
CY8C21X34	CY8C21234-24SXI
	CY8C21234-24SXIT
	CY8C21334-24PVXI
	CY8C21334-24PVXIT
	CY8C21534-24PVXI
	CY8C21534-24PVXIT
	CY8C21434-24LFXI
	CY8C21434-24LFXIT
	CY8C21434-24LKXI
	CY8C21434-24LKXIT
	CY8C21634-24LFXI
	CY8C21634-24LFXIT
	CY8C21434-24LTXI
	CY8C21434-24LTXIT
	CY8C21434-24LQXI
	CY8C21434-24LQXIT
	CY8C21634-24LTXI
	CY8C21634-24LTXIT
	CY8C21001-24PVXI

### CY8C21X34 Qualification Status

Product Status: Production

## CY8C21X34 Errata Summary

The following table defines the errata applicability to available CY8C21X34 family devices. An “X” indicates that the errata pertains to the selected device.

**Note** Errata items, in the table below, are hyperlinked. Click on any item entry to jump to its description.

Items	Part Number	Silicon Revision	Fix Status
<a href="#">[1]. Internal Main Oscillator (IMO) Tolerance Deviation at Temperature Extremes</a>	CY8C21X34	A	No fix is currently planned.
<a href="#">[2]. I2C Errors</a>	CY8C21X34	A	No fix is currently planned.

### 1. Internal Main Oscillator (IMO) Tolerance Deviation at Temperature Extremes

#### ■ Problem Definition

Asynchronous Digital Communications Interfaces may fail framing beyond 0 °C to 70 °C. This problem does not affect end-product usage between 0 °C and 70 °C.

#### ■ Parameters Affected

The IMO frequency tolerance. The worst case deviation when operated below 0 °C and above +70 °C and within the upper and lower datasheet temperature range is ±5%.

#### ■ Trigger Condition(S)

The asynchronous Rx/Tx clock source IMO frequency tolerance may deviate beyond the datasheet limit of ±2.5% when operated beyond the temperature range of 0 °C to +70 °C.

#### ■ Scope of Impact

This problem may affect UART, IrDA, and FSK implementations.

#### ■ Workaround

Implement a quartz crystal stabilized clock source on at least one end of the asynchronous digital communications interface.

#### ■ Fix Status

No fix is currently planned.

### 2. I<sup>2</sup>C Errors

#### ■ Problem Definition

The I<sup>2</sup>C block exhibits occasional data and bus corruption errors when the I<sup>2</sup>C master initiates transactions while the device is transitioning in to or out of sleep mode.

#### ■ Parameters Affected

Affects reliability of I<sup>2</sup>C communication to device, between I<sup>2</sup>C master, and third party I<sup>2</sup>C slaves.

#### ■ Trigger Condition(S)

Triggered by transitions into and out of the device's sleep mode.

#### ■ Scope of Impact

This problem may affect UART, IrDA, and FSK implementations.

#### ■ Workaround

Firmware workarounds are available in firmware. Generally the workaround consists of disconnecting the I<sup>2</sup>C block from the bus prior to going to sleep modes. I<sup>2</sup>C transactions during sleep are supported by a protocol in which the master wakes the device prior to the I<sup>2</sup>C transaction

#### ■ Fix Status

Will not be fixed.

## Document History Page

Document Title: CY8C21634/CY8C21534/CY8C21434/CY8C21334/CY8C21234, PSoC <sup>®</sup> Programmable System-on-Chip <sup>™</sup> Document Number: 38-12025			
Rev.	ECN	Submission Date	Description of Change
**	227340	05/20/2004	New silicon and document (Revision **).
*A	235992	06/22/2004	Added 28-pin SSOP package related information in all instances across the document. Updated <a href="#">Register Reference</a> : Updated <a href="#">Register Mapping Tables</a> : Updated <a href="#">Table 3</a> . Updated <a href="#">Table 4</a> . Updated <a href="#">Packaging Information</a> : Added spec 51-85079 *C. Updated <a href="#">Ordering Information</a> : Updated part numbers.
*B	248572	08/10/2004	Updated Document Title to read as "CY8C21234/CY8C21334/CY8C21434/CY8C21534/CY8C21634, PSoC Mixed Signal Array". Added CY8C21534, CY8C21634 part related information in all instances across the document. Updated <a href="#">Logic Block Diagram</a> (Added SMP Block). Update <a href="#">Pin Information</a> : Updated 28-Pin Part Pinout: Replaced CY8C21434 with CY8C21534 in figure 28-pin SSOP. Updated details in "Name" and "Description" columns corresponding to pin 9. Update <a href="#">Electrical Specifications</a> : Updated <a href="#">DC Electrical Characteristics</a> : Updated <a href="#">DC Chip-Level Specifications</a> : Updated <a href="#">Table 5</a> . Removed "DC Analog Reference Specifications". Removed "DC Analog PSoC Block Specifications". Updated <a href="#">DC Analog Mux Bus Specifications</a> : Replaced "DC Multiplexer Specifications" with "DC Analog Mux Bus Specifications" in heading. Updated <a href="#">Ordering Information</a> : Updated part numbers.
*C	277832	10/25/2004	Changed status from Preliminary to Final. Updated <a href="#">PSoC Functional Overview</a> : Updated <a href="#">PSoC Device Characteristics</a> : Updated <a href="#">Table 1</a> . Update <a href="#">Pin Information</a> : Updated 16-Pin Part Pinout: Updated details in "Description" column; and also updated diagram. Updated 20-Pin Part Pinout: Updated details in "Description" column; and also updated diagram. Updated 28-Pin Part Pinout: Updated details in "Description" column; and also updated diagram. Updated 32-Pin Part Pinout: Updated details in "Description" column; and also updated diagram. Update <a href="#">Electrical Specifications</a> : Updated <a href="#">AC Electrical Characteristics</a> : Updated <a href="#">AC Chip-Level Specifications</a> : Removed figure "PLL Lock Timing Diagram". Removed figure "PLL Lock for Low Gain Setting Timing Diagram". Verified data sheet standards (from SFV memo).
*D	285293	11/03/2004	Update <a href="#">Electrical Specifications</a> : Updated <a href="#">DC Electrical Characteristics</a> : Updated <a href="#">DC General-Purpose I/O Specifications</a> : Updated <a href="#">Table 7</a> . Updated <a href="#">Packaging Information</a> : No change in revisions. Added <a href="#">Solder Reflow Specifications</a> .

**Document History Page** (continued)

Document Title: CY8C21634/CY8C21534/CY8C21434/CY8C21334/CY8C21234, PSoC <sup>®</sup> Programmable System-on-Chip <sup>™</sup> Document Number: 38-12025			
Rev.	ECN	Submission Date	Description of Change
*E	301739	12/21/2004	Update hyperlinks across the document (with reference tto new CY.com Portal). Update <a href="#">Electrical Specifications</a> : Updated <a href="#">DC Electrical Characteristics</a> : Updated <a href="#">DC Chip-Level Specifications</a> : Updated <a href="#">Table 5</a> .
*F	329104	03/14/2005	Updated <a href="#">Features</a> : Updated description (Replaced “Two 8-Bit 28 Channel ADCs” with “Single or Dual 8-Bit 28 Channel ADC”). Updated <a href="#">Register Reference</a> : Updated <a href="#">Register Mapping Tables</a> : Updated <a href="#">Table 3</a> . Updated <a href="#">Table 4</a> . Update <a href="#">Pin Information</a> : Updated 16-Pin Part Pinout: Updated details in “Description” column. Updated 20-Pin Part Pinout: Updated details in “Description” column. Updated 28-Pin Part Pinout: Updated details in “Description” column. Updated 32-Pin Part Pinout: Updated details in “Description” column. Updated <a href="#">Electrical Specifications</a> : Updated almost entire section. Updated <a href="#">Packaging Information</a> : No change in revisions. Add 32-pin MLF E-Pad dimensions at the bottom of spec 51-85188 **. Updated <a href="#">Thermal Impedances</a> : Updated <a href="#">Table 29</a> (Add “Typical ThetaJC” column). Updated <a href="#">Solder Reflow Specifications</a> : Updated <a href="#">Table 30</a> (Updated details under “Minimum Peak Temperature” corresponding to 16-pin SOIC and 32-pin MLF packages). Updated <a href="#">Ordering Information</a> : No changed in part numbers. Replaced “300-Mil” with “210-Mil” in “Package” column corresponding to 20-pin SSOP. Updated to Cypress template.
*G	352736	04/20/2005	Updated <a href="#">Electrical Specifications</a> : Updated <a href="#">AC Electrical Characteristics</a> : Updated <a href="#">AC Digital Block Specifications</a> : Updated <a href="#">Table 21</a> (Updated details corresponding to Transmitter and Receiver function). Updated <a href="#">Packaging Information</a> : No change in revisions. Added “Important Note” below spec 51-85188 **. Updated to new template.
*H	390152	08/03/2005	Updated <a href="#">Pin Information</a> : Updated 32-Pin Part Pinout: Updated Note below the table (MLF thermal pad connection info). Updated <a href="#">Packaging Information</a> : Removed spec 51-85022 *B. Added spec 51-85068 *B.
*I	413404	12/15/2005	Updated <a href="#">Packaging Information</a> : spec 51-85188 – Changed revision from ** to *A. Updated to new template.

**Document History Page** (continued)

Document Title: CY8C21634/CY8C21534/CY8C21434/CY8C21334/CY8C21234, PSoC <sup>®</sup> Programmable System-on-Chip™ Document Number: 38-12025			
Rev.	ECN	Submission Date	Description of Change
*J	430185	03/17/2006	Add 32-pin QFN (5 × 5 × 0.60 mm) package related information in all instances across the document. Updated <a href="#">Absolute Maximum Ratings</a> : Updated value under “Typ” column and also details under “Notes” column corresponding to T <sub>STG</sub> parameter. Updated <a href="#">Packaging Information</a> : Added spec 001-06392 **. Updated <a href="#">Thermal Impedances</a> : Added details corresponding to 32-pin QFN 5x5 mm 0.60 MAX package. Retained existing details of 32-pin QFN for 32-pin QFN 5x5 mm 0.93 MAX package. Updated <a href="#">Ordering Information</a> : Updated part numbers. Updated to new template.
*K	677717	01/12/2007	Updated <a href="#">PSoC Functional Overview</a> : Updated <a href="#">PSoC Device Characteristics</a> : Updated <a href="#">Table 1</a> (Added CY8C20x34 and its corresponding details; added Note 7 and referred the same note in Analog Blocks column corresponding to CY8C20x34). Updated <a href="#">Getting Started</a> : Updated Technical Training Modules: Updated description. Updated <a href="#">Electrical Specifications</a> : Updated <a href="#">DC Electrical Characteristics</a> : Added “DC Low Power Comparator Specifications”. Updated <a href="#">AC Electrical Characteristics</a> : Added “AC Low Power Comparator Specifications”. Updated <a href="#">Packaging Information</a> : spec 001-06392 – Changed revision from ** to *A. Added <a href="#">Development Tool Selection</a> .
*L	2147847	02/27/2008	Add 32-pin QFN (Sawn) Package related information in all instances across the document. Updated <a href="#">Packaging Information</a> : spec 51-85188 – Changed revision from *A to *B. Added spec 001-30999 **. Updated <a href="#">Ordering Information</a> : Updated part numbers. Updated to new template.
*M	2273246	04/01/2008	Updated <a href="#">Ordering Information</a> : Updated part numbers. Updated <a href="#">Packaging Information</a> : Added spec 001-42168 *A.
*N	2618124	12/09/2008	Updated Document Title to read as “CY8C21234/CY8C21334/CY8C21434/CY8C21534/CY8C21634 PSoC <sup>®</sup> Programmable System-on-Chip™”. Updated <a href="#">Ordering Information</a> : No changed in part numbers. Added Note “For Die sales information, contact a local Cypress sales office or Field Applications Engineer (FAE).” below the table.

**Document History Page** (continued)

Document Title: CY8C21634/CY8C21534/CY8C21434/CY8C21334/CY8C21234, PSoC® Programmable System-on-Chip™ Document Number: 38-12025			
Rev.	ECN	Submission Date	Description of Change
*O	2684145	04/06/2009	Updated <a href="#">Getting Started</a> : Updated description. Added <a href="#">Application Notes</a> : Updated description. Updated <a href="#">Development Kits</a> : Updated description. Updated <a href="#">Training</a> : Replaced “Technical Training Modules” with “Training” in heading; and also updated description. Updated <a href="#">CYPros Consultants</a> : Replaced “Consultants” with “CYPros Consultants” in heading; and also updated description. Added <a href="#">Solutions Library</a> . Updated <a href="#">Technical Support</a> : Updated description. Updated <a href="#">Development Tools</a> : Updated description; and also removed figure “PSoC Designer Subsystems”. Updated <a href="#">PSoC Designer Software Subsystems</a> : Removed “Device Editor”. Removed “Design Browser”. Added “System-Level View”. Added “Chip-Level View”. Added “Hybrid Designs”. Updated <a href="#">Code Generation Tools</a> : Replaced “Application Editor” with “Code Generation Tools” in heading; and also updated description. Removed “Designing with User Modules”. Added <a href="#">Designing with PSoC Designer</a> . Updated <a href="#">Ordering Information</a> : No changed in part numbers. Updated details in “Package” column corresponding to CY8C21434-24LTXI and CY8C21434-24LTXIT.
*P	2693024	04/16/2009	Updated <a href="#">Packaging Information</a> : spec 51-85188 – Changed revision from *B to *C. Removed spec 001-42168 *C. Added spec 001-48913 *A.
*Q	2720594	06/22/2009	Removed “Mixed-Signal Array” related information in all instances across the document. Updated <a href="#">Packaging Information</a> : No change in revisions. Updated figure caption only corresponding to spec 001-44368 *A. Updated <a href="#">Development Tool Selection</a> : Updated <a href="#">Software</a> : Updated <a href="#">PSoC Designer™</a> : Updated description. Updated <a href="#">PSoC Programmer</a> : Updated description. Updated <a href="#">Development Kits</a> : Removed “CY3210-ExpressDK PSoC Express Development Kit”.

**Document History Page** (continued)

Document Title: CY8C21634/CY8C21534/CY8C21434/CY8C21334/CY8C21234, PSoC® Programmable System-on-Chip™ Document Number: 38-12025			
Rev.	ECN	Submission Date	Description of Change
*R	2762499	09/11/2009	Updated <a href="#">Electrical Specifications</a> : Updated <a href="#">DC Electrical Characteristics</a> : Updated <a href="#">DC General-Purpose I/O Specifications</a> : Updated <a href="#">Table 6</a> (Added I <sub>OH</sub> , I <sub>OL</sub> parameters and their corresponding details). Updated <a href="#">Table 7</a> (Added I <sub>OH</sub> , I <sub>OL</sub> parameters and their corresponding details). Updated <a href="#">DC Programming Specifications</a> : Updated <a href="#">Table 14</a> (Added Note 25 and referred the same note in minimum value of Flash <sub>ENPB</sub> parameter). Updated <a href="#">AC Electrical Characteristics</a> : Updated <a href="#">AC Chip-Level Specifications</a> : Updated <a href="#">Table 16</a> (Added DC <sub>ILO</sub> , F <sub>32K_U</sub> , SR <sub>POWERUP</sub> , T <sub>POWERUP</sub> parameters and their corresponding details; removed T <sub>RAMP</sub> parameter and its corresponding details; updated details in "Min", "Typ" and "Max" columns corresponding to F <sub>IMO6</sub> parameter). Updated <a href="#">Table 17</a> (Added DC <sub>ILO</sub> , F <sub>32K_U</sub> , SR <sub>POWERUP</sub> , T <sub>POWERUP</sub> parameters and their corresponding details; removed T <sub>RAMP</sub> parameter and its corresponding details; updated details in "Min", "Typ" and "Max" columns corresponding to F <sub>IMO6</sub> parameter). Updated <a href="#">AC Programming Specifications</a> : Updated <a href="#">Table 26</a> (Added T <sub>ERASEALL</sub> , T <sub>PROGRAM_HOT</sub> , and T <sub>PROGRAM_COLD</sub> parameters and their corresponding details; updated details in "Typ" column corresponding to T <sub>WRITE</sub> parameter).
*S	2900687	03/30/2010	Updated <a href="#">PSoC Functional Overview</a> : Updated <a href="#">The Analog System</a> : Updated <a href="#">The Analog Multiplexer System</a> : Updated description. Updated <a href="#">Absolute Maximum Ratings</a> : Added T <sub>BAKETEMP</sub> , T <sub>BAKETIME</sub> parameters and their corresponding details. Updated <a href="#">Electrical Specifications</a> : Updated <a href="#">DC Electrical Characteristics</a> : Removed "DC Low Power Comparator Specifications". Updated <a href="#">AC Electrical Characteristics</a> : Updated <a href="#">AC Chip-Level Specifications</a> : Updated <a href="#">Table 16</a> . Removed "AC Low Power Comparator Specifications". Removed "AC Analog Mux Bus Specifications". Updated <a href="#">Packaging Information</a> : Updated Important Note below heading. spec 51-85068 – Changed revision from *B to *C. spec 51-85077 – Changed revision from *C to *D. spec 51-85079 – Changed revision from *C to *D. Removed spec 001-06392 *A. spec 51-85188 – Changed revision from *C to *D. spec 001-44368 – Changed revision from *A to *B. spec 001-48913 – Changed revision from *A to *B. spec 001-30999 – Changed revision from *B to *C. spec 51-85062 – Changed revision from *C to *D. Updated <a href="#">Thermal Impedances</a> : Updated <a href="#">Table 29</a> (Added 56-pin SSOP package related information). Updated <a href="#">Solder Reflow Specifications</a> : Updated <a href="#">Table 30</a> (Added 56-pin SSOP package related information). Updated <a href="#">Development Tool Selection</a> : Removed "Third Party Tools". Removed "Build a PSoC Emulator into your Board". Updated <a href="#">Ordering Information</a> : Updated part numbers. Updated <a href="#">Ordering Code Definitions</a> . Updated to new template.
*T	2937578	05/26/2010	Updated to new template.



**Document History Page** (continued)

Document Title: CY8C21634/CY8C21534/CY8C21434/CY8C21334/CY8C21234, PSoC® Programmable System-on-Chip™ Document Number: 38-12025			
Rev.	ECN	Submission Date	Description of Change
*U	3005573	09/02/2010	<p>Updated <a href="#">PSoC Functional Overview</a>:  Updated <a href="#">PSoC Device Characteristics</a>:  Updated <a href="#">Table 1</a>.  Updated <a href="#">Electrical Specifications</a>:  Updated <a href="#">DC Electrical Characteristics</a>:  Added <a href="#">DC I2C Specifications</a>.  Updated <a href="#">AC Electrical Characteristics</a>:  Updated <a href="#">AC Chip-Level Specifications</a>:  Updated <a href="#">Table 16</a>:  Added values in "Max" column corresponding to <math>F_{32K\_U}</math> parameter.  Removed Jitter24M1 parameter and its corresponding details.  Added <math>T_{jit\_IMO}</math> parameter and its corresponding details.  Updated <a href="#">Table 17</a>:  Removed Jitter32k parameter and its corresponding details.  Added <math>T_{jit\_IMO}</math> parameter and its corresponding details.  Updated <a href="#">AC Digital Block Specifications</a>:  Updated <a href="#">Table 21</a> (for clearer understanding).  Updated <a href="#">Table 22</a> (for clearer understanding).  Updated <a href="#">AC I2C [40] Specifications</a>:  Updated <a href="#">Figure 15</a> (for clearer understanding).  Updated <a href="#">Packaging Information</a>:  No change in revisions.  Updated <a href="#">Solder Reflow Specifications</a>:  Updated <a href="#">Table 30</a> (Removed "Minimum Peak Temperature" column and added "Time at Maximum Temperature" column).  Added <a href="#">Reference Documents</a>.  Added <a href="#">Glossary</a>.  Updated to new template.</p>
*V	3068269	10/21/2010	<p>Updated <a href="#">Ordering Information</a>:  Updated part numbers.</p>
*W	3281271	08/23/2011	<p>Updated <a href="#">Electrical Specifications</a>:  Updated <a href="#">AC Electrical Characteristics</a>:  Updated <a href="#">AC Operational Amplifier Specifications</a>:  Updated <a href="#">Table 20</a> (Replaced "<math>2.4\text{ V} &lt; V_{CC} &lt; 3.0\text{ V}</math>" with "<math>2.4\text{ V} &lt; V_{DD} &lt; 3.0\text{ V}</math>" under "Notes" column).  Updated <a href="#">Packaging Information</a>:  spec 51-85077 – Changed revision from *D to *E.  spec 51-85079 – Changed revision from *D to *E.  Removed spec 51-85188 *D.  Updated <a href="#">Solder Reflow Specifications</a>:  Under <a href="#">Table 30</a> (Removed "Time at Maximum Temperature" column and added "Maximum Time above <math>T_C - 5\text{ }^\circ\text{C}</math>" column).  Completing Sunset Review.</p>
*X	3383568	10/05/2011	<p>Updated <a href="#">Pin Information</a>:  Updated <a href="#">CY8C21001 56-pin SSOP Pin Definitions on page 15</a>:  Updated details in "Description" column of NC pin (Included the text "Pin must be left floating").  Updated <a href="#">Packaging Information</a>:  spec 51-85068 – Changed revision from *C to *D.  spec 51-85062 – Changed revision from *D to *E.  Updated <a href="#">Ordering Information</a>:  Updated part numbers.</p>
*Y	3659297	07/26/2012	<p>Updated <a href="#">Packaging Information</a>:  Removed spec 001-44368 *B.  Completing Sunset Review.</p>

**Document History Page** (continued)

Document Title: CY8C21634/CY8C21534/CY8C21434/CY8C21334/CY8C21234, PSoC® Programmable System-on-Chip™ Document Number: 38-12025			
Rev.	ECN	Submission Date	Description of Change
*Z	3902039	02/12/2013	<p>Updated <a href="#">Electrical Specifications</a>:  Updated <a href="#">AC Electrical Characteristics</a>:  Updated <a href="#">AC Chip-Level Specifications</a>:  Updated <a href="#">Table 16</a> (Changed minimum value of F<sub>IMO6</sub> parameter from 5.5 MHz to 5.52 MHz, changed maximum value of F<sub>IMO6</sub> parameter from 6.5 MHz to 6.48 MHz).  Updated <a href="#">Table 17</a> (Changed minimum value of F<sub>IMO12</sub> parameter from 11.5 MHz to 11.04 MHz, changed maximum value of F<sub>IMO12</sub> parameter from 12.7 MHz to 12.96 MHz, changed minimum value of F<sub>IMO6</sub> parameter from 5.5 MHz to 5.52 MHz, changed maximum value of F<sub>IMO6</sub> parameter from 6.5 MHz to 6.48 MHz).  Updated <a href="#">Packaging Information</a>:  spec 51-85068 – Changed revision from *D to *E.  spec 001-30999 – Changed revision from *C to *D.  spec 001-48913 – Changed revision from *B to *C.  spec 51-85062 – Changed revision from *E to *F.</p>
AA	3993249	05/07/2013	Added <a href="#">Errata</a> .
AB	4076892	07/25/2013	<p>Added Errata footnotes (Notes 1, 2, 3, 4, 5, 8, 28, 33, 40).  Updated <a href="#">Features</a>:  Added Note 1 and referred in “Internal ±2.5% 24- / 48-MHz main oscillator”.  Added Note 2 and referred in “I<sup>2</sup>C” under “Additional system resources”.  Updated <a href="#">PSoC Functional Overview</a>:  Updated <a href="#">The PSoC Core</a>:  Added Note 3 and referred in “24 MHz”.  Added Note 4 and referred in “I<sup>2</sup>C” under “System resources provide these additional capabilities”.  Updated <a href="#">The Digital System</a>:  Added Note 4 and referred in “I<sup>2</sup>C slave and multi-master”.  Updated <a href="#">Additional System Resources</a>:  Added Note 5 and referred in “I<sup>2</sup>C”.  Updated <a href="#">Development Tools</a>:  Added Note 8 and referred in “I<sup>2</sup>C” under “Built-in support for communication interfaces”.  Updated <a href="#">Electrical Specifications</a>:  Updated <a href="#">AC Electrical Characteristics</a>:  Updated <a href="#">AC Chip-Level Specifications</a>:  Updated <a href="#">Table 16</a> (Added Note 28 and referred in “F<sub>IMO24</sub>” and “F<sub>IMO6</sub>” parameters).  Updated <a href="#">Table 17</a> (Added Note 33 and referred in “F<sub>IMO12</sub>” and “F<sub>IMO6</sub>” parameters).  Updated <a href="#">AC I2C [40] Specifications</a>:  Added Note 40 and referred in the heading.  Updated to new template.  Completing Sunset Review.</p>
AC	4143112	10/01/2013	<p>Updated <a href="#">Packaging Information</a>:  spec 001-48913 – Changed revision from *C to *D.  Updated <a href="#">Ordering Information</a>:  Updated part numbers.  Updated <a href="#">Reference Documents</a>:  Removed references of spec 001-14503 and spec 001-17397 (as these specs are obsolete).</p>

**Document History Page** (continued)

Document Title: CY8C21634/CY8C21534/CY8C21434/CY8C21334/CY8C21234, PSoC® Programmable System-on-Chip™ Document Number: 38-12025			
Rev.	ECN	Submission Date	Description of Change
AD	4338103	04/15/2014	Updated <a href="#">Pin Information</a> : Updated <a href="#">CY8C21234 16-pin SOIC Pin Definitions</a> (corresponding to CY8C21234): Added Note 9 and referred the same note in the description of pin 6 and pin 8. Updated <a href="#">CY8C21334 20-pin SSOP Pin Definitions</a> (corresponding to CY8C21334): Added Note 11 and referred the same note in the description of pin 5 and pin 10. Updated <a href="#">CY8C21534 28-pin SSOP Pin Definitions</a> (corresponding to CY8C21534): Added Note 13 and referred the same note in the description of pin 9 and pin 14. Updated <a href="#">CY8C21434/CY8C21634 32-pin QFN Pin Definitions</a> (corresponding to CY8C21434/CY8C21634): Added Note 16 and referred the same note in the description of pin 7, pin 12 and pin 32. Updated <a href="#">CY8C21001 56-pin SSOP Pin Definitions</a> (corresponding to CY8C21001): Added Note 18 and referred the same note in the description of pin 17, pin 18 and pin 28. Updated <a href="#">Packaging Information</a> : Updated "Important Note" below <a href="#">Figure 19</a> . Updated <a href="#">Thermal Impedances</a> : Updated Note 43 referred in <a href="#">Table 29</a> .
AE	4531967	10/10/2014	Added <a href="#">More Information</a> . Added <a href="#">PSoC Designer</a> .
AF	4593771	12/11/2014	Updated <a href="#">Pin Information</a> : Updated <a href="#">CY8C21001 56-pin SSOP Pin Definitions</a> : Referred Note 18 in description of pin 1. Updated <a href="#">Packaging Information</a> : spec 51-85077 – Changed revision from *E to *F. spec 51-85079 – Changed revision from *E to *F.
AG	4670626	02/25/2015	Updated <a href="#">Errata</a> : Replaced CY8C21234 with CY8C21X34 in all instances.
AH	5394304	08/08/2016	Updated to new template. Completing Sunset Review.
AI	5766165	06/07/2017	Updated Cypress Logo and Copyright.
AJ	6641806	07/31/2019	Updated <a href="#">Packaging Information</a> : spec 51-85068 – Changed revision from *E to *F. spec 001-48913 – Changed revision from *D to *E. Updated to new template. Completing Sunset Review.

## Sales, Solutions, and Legal Information

### Worldwide Sales and Design Support

Cypress maintains a worldwide network of offices, solution centers, manufacturer's representatives, and distributors. To find the office closest to you, visit us at [Cypress Locations](#).

#### Products

Arm® Cortex® Microcontrollers	<a href="http://cypress.com/arm">cypress.com/arm</a>
Automotive	<a href="http://cypress.com/automotive">cypress.com/automotive</a>
Clocks & Buffers	<a href="http://cypress.com/clocks">cypress.com/clocks</a>
Interface	<a href="http://cypress.com/interface">cypress.com/interface</a>
Internet of Things	<a href="http://cypress.com/iot">cypress.com/iot</a>
Memory	<a href="http://cypress.com/memory">cypress.com/memory</a>
Microcontrollers	<a href="http://cypress.com/mcu">cypress.com/mcu</a>
PSoC	<a href="http://cypress.com/psoc">cypress.com/psoc</a>
Power Management ICs	<a href="http://cypress.com/pmic">cypress.com/pmic</a>
Touch Sensing	<a href="http://cypress.com/touch">cypress.com/touch</a>
USB Controllers	<a href="http://cypress.com/usb">cypress.com/usb</a>
Wireless Connectivity	<a href="http://cypress.com/wireless">cypress.com/wireless</a>

#### PSoC® Solutions

[PSoC 1](#) | [PSoC 3](#) | [PSoC 4](#) | [PSoC 5LP](#) | [PSoC 6 MCU](#)

#### Cypress Developer Community

[Community](#) | [Projects](#) | [Video](#) | [Blogs](#) | [Training](#) | [Components](#)

#### Technical Support

[cypress.com/support](http://cypress.com/support)

© Cypress Semiconductor Corporation, 2004–2019. This document is the property of Cypress Semiconductor Corporation and its subsidiaries ("Cypress"). This document, including any software or firmware included or referenced in this document ("Software"), is owned by Cypress under the intellectual property laws and treaties of the United States and other countries worldwide. Cypress reserves all rights under such laws and treaties and does not, except as specifically stated in this paragraph, grant any license under its patents, copyrights, trademarks, or other intellectual property rights. If the Software is not accompanied by a license agreement and you do not otherwise have a written agreement with Cypress governing the use of the Software, then Cypress hereby grants you a personal, non-exclusive, nontransferable license (without the right to sublicense) (1) under its copyright rights in the Software (a) for Software provided in source code form, to modify and reproduce the Software solely for use with Cypress hardware products, only internally within your organization, and (b) to distribute the Software in binary code form externally to end users (either directly or indirectly through resellers and distributors), solely for use on Cypress hardware product units, and (2) under those claims of Cypress's patents that are infringed by the Software (as provided by Cypress, unmodified) to make, use, distribute, and import the Software solely for use with Cypress hardware products. Any other use, reproduction, modification, translation, or compilation of the Software is prohibited.

TO THE EXTENT PERMITTED BY APPLICABLE LAW, CYPRESS MAKES NO WARRANTY OF ANY KIND, EXPRESS OR IMPLIED, WITH REGARD TO THIS DOCUMENT OR ANY SOFTWARE OR ACCOMPANYING HARDWARE, INCLUDING, BUT NOT LIMITED TO, THE IMPLIED WARRANTIES OF MERCHANTABILITY AND FITNESS FOR A PARTICULAR PURPOSE. No computing device can be absolutely secure. Therefore, despite security measures implemented in Cypress hardware or software products, Cypress shall have no liability arising out of any security breach, such as unauthorized access to or use of a Cypress product. CYPRESS DOES NOT REPRESENT, WARRANT, OR GUARANTEE THAT CYPRESS PRODUCTS, OR SYSTEMS CREATED USING CYPRESS PRODUCTS, WILL BE FREE FROM CORRUPTION, ATTACK, VIRUSES, INTERFERENCE, HACKING, DATA LOSS OR THEFT, OR OTHER SECURITY INTRUSION (collectively, "Security Breach"). Cypress disclaims any liability relating to any Security Breach, and you shall and hereby do release Cypress from any claim, damage, or other liability arising from any Security Breach. In addition, the products described in these materials may contain design defects or errors known as errata which may cause the product to deviate from published specifications. To the extent permitted by applicable law, Cypress reserves the right to make changes to this document without further notice. Cypress does not assume any liability arising out of the application or use of any product or circuit described in this document. Any information provided in this document, including any sample design information or programming code, is provided only for reference purposes. It is the responsibility of the user of this document to properly design, program, and test the functionality and safety of any application made of this information and any resulting product. "High-Risk Device" means any device or system whose failure could cause personal injury, death, or property damage. Examples of High-Risk Devices are weapons, nuclear installations, surgical implants, and other medical devices. "Critical Component" means any component of a High-Risk Device whose failure to perform can be reasonably expected to cause, directly or indirectly, the failure of the High-Risk Device, or to affect its safety or effectiveness. Cypress is not liable, in whole or in part, and you shall and hereby do release Cypress from any claim, damage, or other liability arising from any use of a Cypress product as a Critical Component in a High-Risk Device. You shall indemnify and hold Cypress, its directors, officers, employees, agents, affiliates, distributors, and assigns harmless from and against all claims, costs, damages, and expenses, arising out of any claim, including claims for product liability, personal injury or death, or property damage arising from any use of a Cypress product as a Critical Component in a High-Risk Device. Cypress products are not intended or authorized for use as a Critical Component in any High-Risk Device except to the limited extent that (i) Cypress's published data sheet for the product explicitly states Cypress has qualified the product for use in a specific High-Risk Device, or (ii) Cypress has given you advance written authorization to use the product as a Critical Component in the specific High-Risk Device and you have signed a separate indemnification agreement.

Cypress, the Cypress logo, Spansion, the Spansion logo, and combinations thereof, WICED, PSoC, CapSense, EZ-USB, F-RAM, and Traveo are trademarks or registered trademarks of Cypress in the United States and other countries. For a more complete list of Cypress trademarks, visit [cypress.com](http://cypress.com). Other names and brands may be claimed as property of their respective owners.