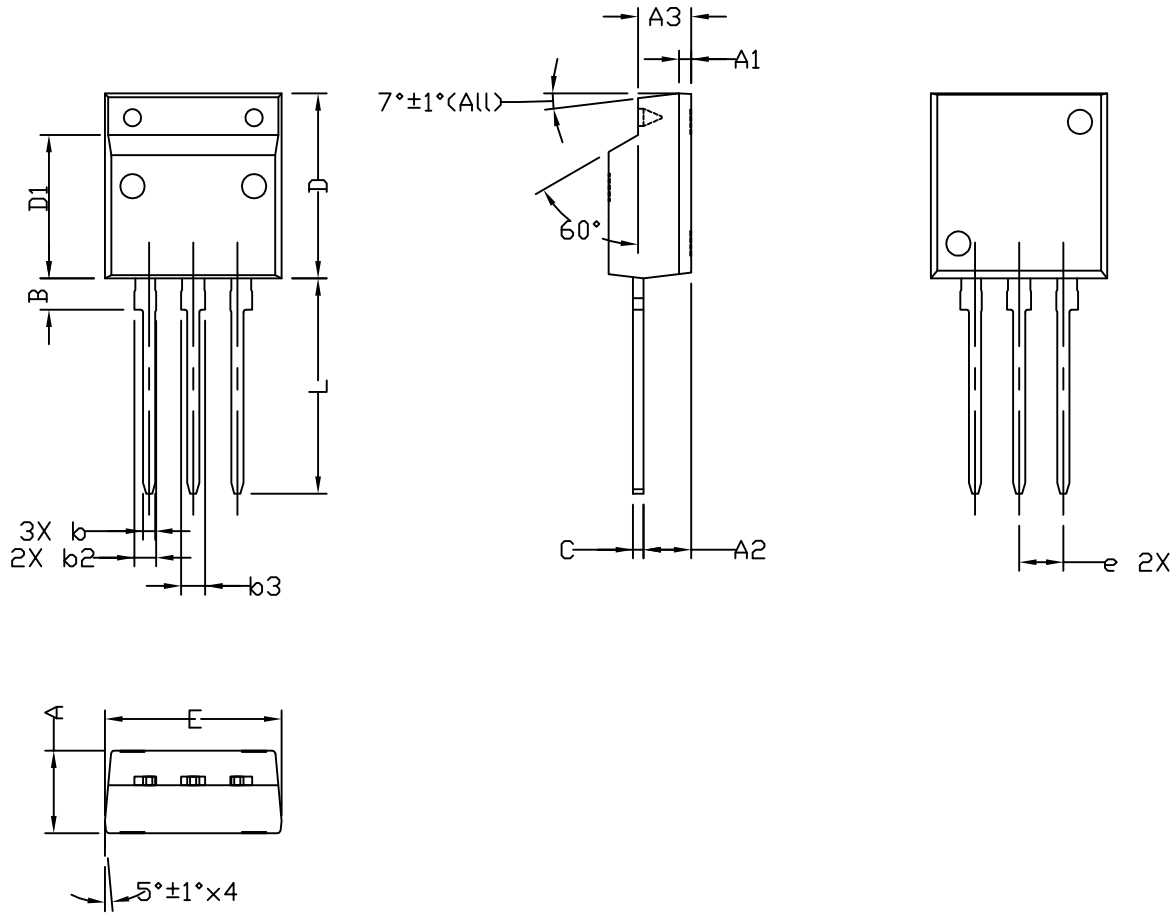
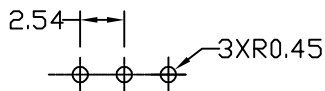




TO262F PACKAGE OUTLINE



RECOMMENDED LAND PATTERN



SYMBOL	DIMENSIONAL REQMTS			INCHES REQMTS		
	MIN	NOM	MAX	MIN	NOM	MAX
A	4.66	4.76	4.86	0.183	0.187	0.191
A1	0.65	0.70	0.75	0.026	0.028	0.030
A2	2.61	2.76	2.91	0.103	0.109	0.115
A3	2.91	3.06	3.21	0.115	0.120	0.126
B	1.65	1.80	2.00	0.065	0.071	0.079
b	0.59	0.69	0.79	0.023	0.027	0.031
b2	1.14	1.25	1.29	0.045	0.049	0.051
b3	1.28	1.38	1.43	0.050	0.054	0.056
c	0.55	0.60	0.70	0.022	0.024	0.028
D	10.45	10.65	10.85	0.411	0.419	0.427
D1	8.05	8.25	8.45	0.317	0.325	0.333
E	9.70	10.15	10.54	0.382	0.400	0.415
e	2.54 BSC			0.100 BSC		
L	12.27	12.40	13.48	0.483	0.488	0.531

NOTE

1. CONTROLLING DIMENSION IS MILLIMETER.
CONVERTED INCH DIMENSIONS ARE NOT NECESSARILY EXACT.